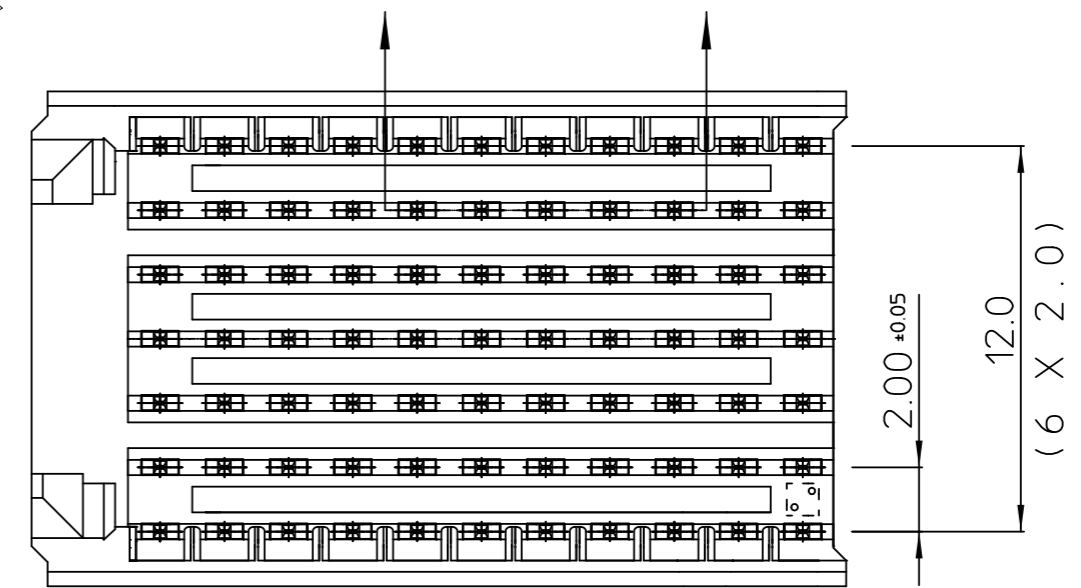
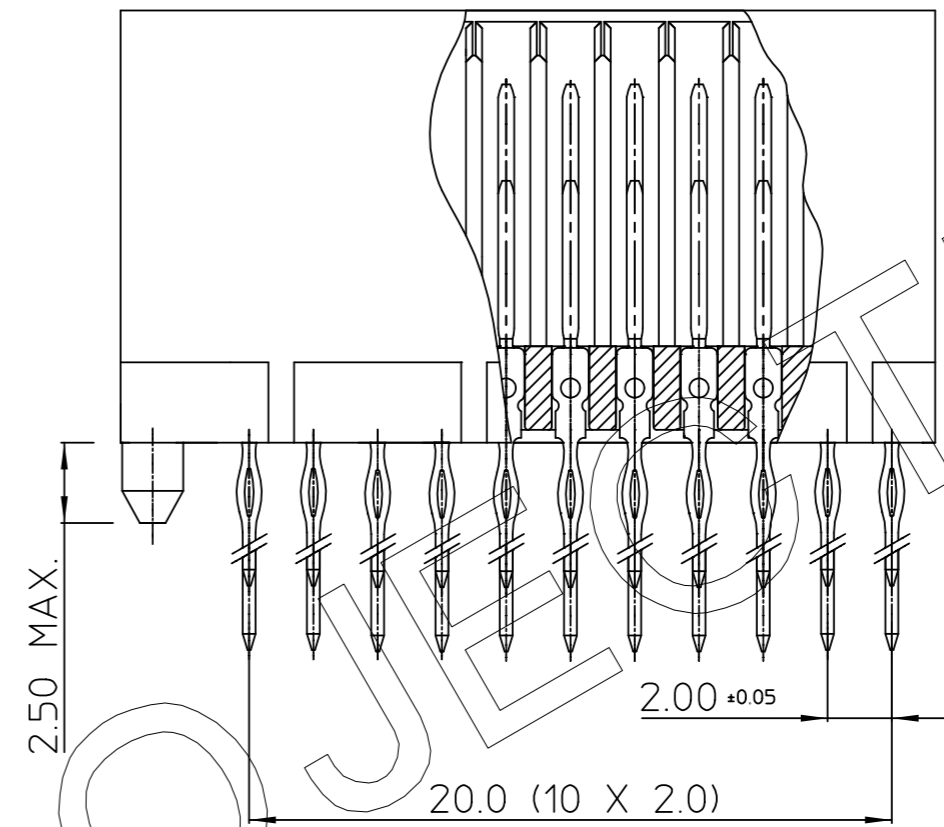
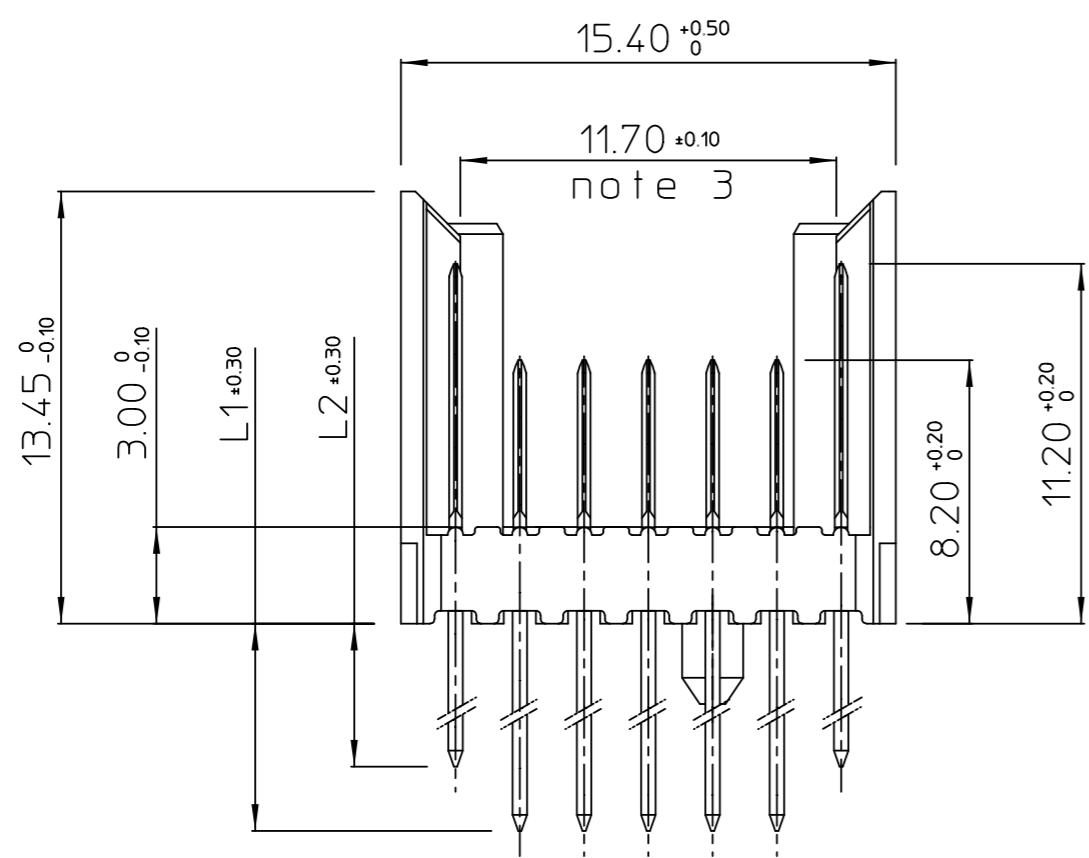


REV.	DATE	DESCRIPTION	BY	C'K'D'
A	14-09-01	CONVERSION REVISION 06	KN	
06	31 05 01	BEC 9.3525	R.M.	



PERFORMANCE CHARACTERISTICS

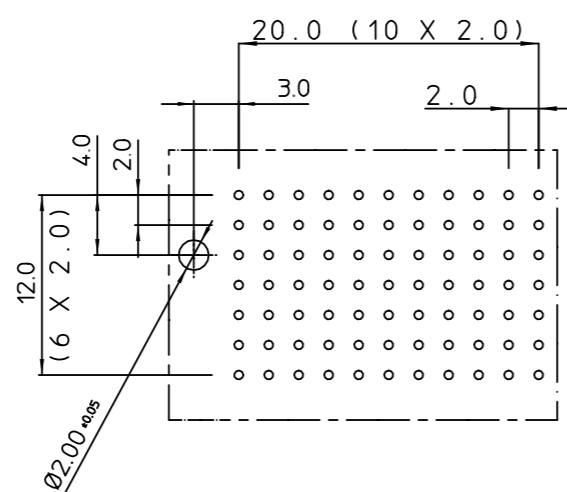
CURRENT RATING : 1,5 A AT 20°C ( FULLY LOADED )  
 1 A AT 70°C ( FULLY LOADED )  
 RATED VOLTAGE : 500 V AC ( CONT / CONT )  
 OPERATING TEMPERATURE : -55°C TO 125°C  
 CONTACT RESISTANCE : 20 mΩ MAX  
 INSERTION FORCE : 0.75 N MAX / CONT  
 EXTRACTION FORCE : 0.15 N MIN / CONT  
 INSULATION RESISTANCE : 10<sup>4</sup> MΩ MIN

CAT. NR.	L1+0.3	L2+0.3	DESCRIPTION
HM2P80PD5111--	3.7	3.7	SHORT PRESS-FIT
HM2P80PC5111--	4.5	4.5	SHORT PRESS-FIT
HM2P80PK5111--	13	4.5	REAR PLUG-UP: LEVEL 1
HM2P80PM5111--	14.5	4.5	REAR PLUG-UP: LEVEL 2
HM2P80PN5111--	16	4.5	REAR PLUG-UP: LEVEL 3
HM2P80PT5111--	13	4.5	WIRE WRAP

NOTES

- "--" PERFORMANCE LEVEL INDICATION: Z1= PL3 (SHORT) | GC= PL3 (REAR PLUG-UP)  
 (SEE CAT.NR.) N9= PL2 | GF= PL2  
 E9= PL1 | GL= PL1
- THIS PRODUCT IS CSA APPROVED.  
 THIS PRODUCT IS UL RECOGNIZED.
- MEASURED AT THE BOTTOM.

LAY-OUT  
P.C.B. - HOLE



THIS IS OUR EXCLUSIVE PROPERTY. IT IS NOT TO BE COPIED, REPRINTED OR DISCLOSED TO A THIRD PARTY, NOR USED FOR MANUFACTURING WITHOUT OUR WRITTEN CONSENT, AND HAS TO BE RETURNED TO US IN CASE OF NO USAGE

DIT IS ONZE EIGENDOM EN MAG NOCH NAGEMAAKT, HERDRUKT, OVERGEMAAKT AAN DERDEN, NOCH VOOR FABRIKATIE GEBRUIKT WORDEN, ZONDER ONZE SCHRIFTELIJKE TOELATING. BIJ NIET GEBRUIK IS TERUGZENDING VERPLICHT.

MALE SIGNAL STRAIGHT PRESS-FIT-TO-BOARD CONNECTOR  
WITH SERVICECENTER (WIDE BODY)

1DEC ±0,2 1DEC 2DEC ±0,1 2DEC ANGLES ±1° HOEKEN	APPR.	DATE	SIGN.	MILLIPACS 2 / TYPE CR / SHIELDED
	DRAFT	280395	W.Panis	CAT. No. HM2P80P-5111--
	CHECKED			SCALE
WE RESERVE THE RIGHT TO CHANGE DIMENSIONS OR REQUIREMENTS WITHOUT PRIOR NOTICE.	PROD. MGR.			FCI MECHELEN N.V. A. SPINOYSTRAAAT 8, 2800 MECHELEN
	PR. ENG. MGR.			
ALL DIMENSIONS IN MM	PR. MGT. MGR.			BS,C ,201632,014
	REFERENCES / REFERENTIES			A
ALLE AFMETINGEN IN MM				DRAWING No. CUSTOMER DRAWING REVISION