

**SPECIFICATIONS**

**BreakaWay Header**

**Mechanical**

**Contact Retention Force:** 0.91g min.

**HB11 Series**

**T/H Type**

**2.54mm [.100"] Pitch**

**Electrical**

**Current Rating:** 3.0A per pin min.

**Dielectric Withstanding Voltage:** 500V AC

**Insulation Resistance:** 1000MW min

**Physical**

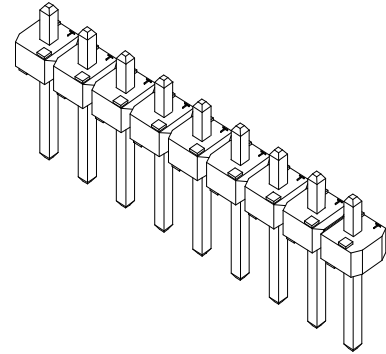
**Housing:** Nylon 6.6, Glass Filled, UL94V-0, Color Black

**Contact:** Copper Alloy

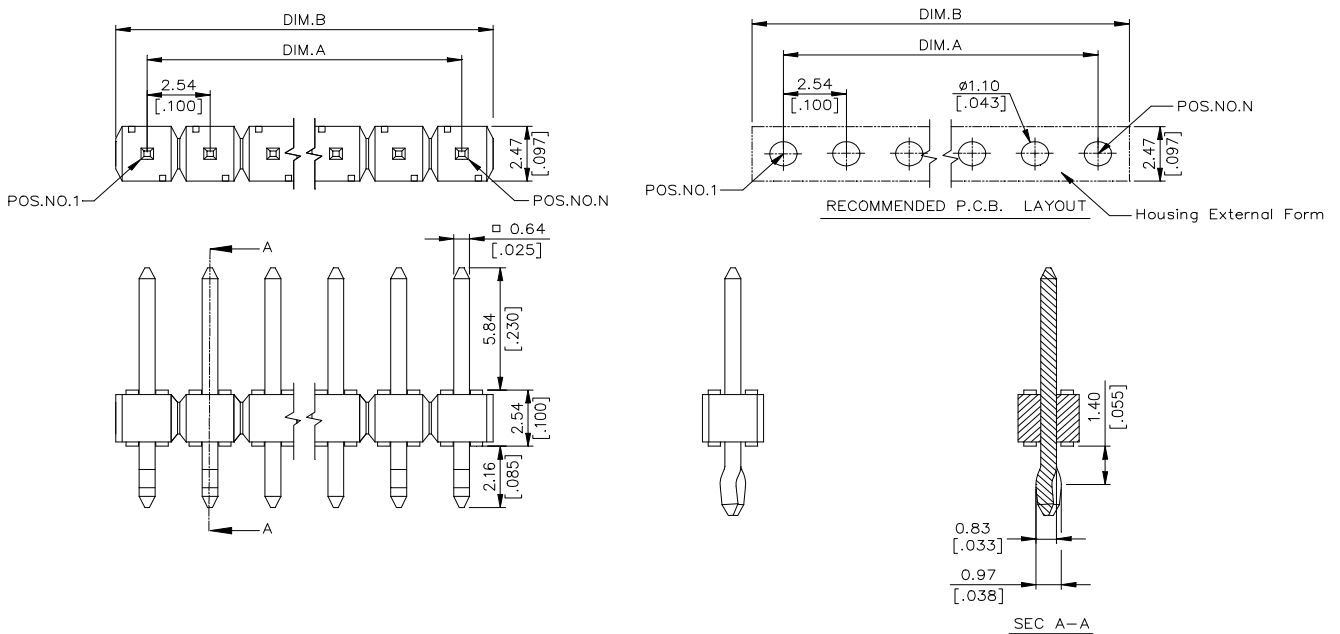
**Plating:** See "ORDERING INFORMATION"

**Solder Pad:** Copper Alloy

**Operating Temperature:** -40 to +105



**DRAWING**



**ORDERING INFORMATION**

**PRODUCT NO.:** HB 1 1 \* \* \* - \* \* \* \*

Breakaway Header Series  
 Termination & Contact Type  
 No. Of Pos  
 1=1 Pos  
 2=2 Pos  
 .  
 .  
 40=40 Pos  
 Optional For Plating  
 See DWG. 307-0000-210

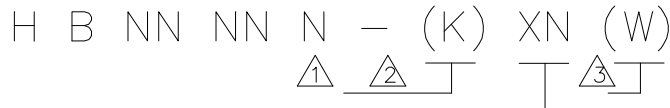
Position Omitted  
 See DWG. 307-0000-210  
 Optional For Housing Color  
 See DWG. 307-0000-210  
 Optional For Kinks  
 See DWG. 307-0000-210

ORDERING INFORMATION

|              |      |                  |                  |
|--------------|------|------------------|------------------|
| HB1120*-**** | 20   | 45.72<br>[1.900] | 50.55<br>[1.990] |
| HB1119*-**** | 19   | 45.72<br>[1.800] | 48.01<br>[1.890] |
| HB1118*-**** | 18   | 43.18<br>[1.700] | 45.47<br>[1.790] |
| HB1117*-**** | 17   | 40.64<br>[1.600] | 42.93<br>[1.690] |
| HB1116*-**** | 16   | 38.10<br>[1.500] | 40.39<br>[1.590] |
| HB1115*-**** | 15   | 35.46<br>[1.400] | 37.85<br>[1.490] |
| HB1114*-**** | 14   | 33.02<br>[1.300] | 35.31<br>[1.390] |
| HB1113*-**** | 13   | 30.48<br>[1.200] | 32.77<br>[1.290] |
| HB1112*-**** | 12   | 27.94<br>[1.100] | 30.23<br>[1.190] |
| HB1111*-**** | 11   | 25.40<br>[1.000] | 27.69<br>[1.090] |
| HB1110*-**** | 10   | 22.86<br>[.900]  | 25.15<br>[.990]  |
| HB1109*-**** | 9    | 20.32<br>[.800]  | 22.61<br>[.890]  |
| HB1108*-**** | 8    | 17.78<br>[.700]  | 20.07<br>[.790]  |
| HB1107*-**** | 7    | 15.24<br>[.600]  | 17.53<br>[.690]  |
| HB1106*-**** | 6    | 12.70<br>[.500]  | 14.99<br>[.590]  |
| HB1105*-**** | 5    | 10.16<br>[.400]  | 12.45<br>[.490]  |
| HB1104*-**** | 4    | 7.62<br>[.300]   | 9.91<br>[.390]   |
| HB1103*-**** | 3    | 5.08<br>[.200]   | 7.37<br>[.290]   |
| HB1102*-**** | 2    | 2.54<br>[.100]   | 4.83<br>[.190]   |
| HB1101*-**** | 1    | 0.00<br>[0.00]   | 2.29<br>[.090]   |
| P/N          | POS. | DIM. A           | DIM. B           |

|              |      |                  |                   |
|--------------|------|------------------|-------------------|
| HB1140*-**** | 40   | 99.06<br>[3.900] | 101.35<br>[3.990] |
| HB1139*-**** | 39   | 96.52<br>[3.800] | 98.81<br>[3.890]  |
| HB1138*-**** | 38   | 93.98<br>[3.700] | 96.27<br>[3.790]  |
| HB1137*-**** | 37   | 91.44<br>[3.600] | 93.73<br>[3.690]  |
| HB1136*-**** | 36   | 88.90<br>[3.500] | 91.19<br>[3.590]  |
| HB1135*-**** | 35   | 86.36<br>[3.400] | 88.65<br>[3.490]  |
| HB1134*-**** | 34   | 83.82<br>[3.300] | 86.11<br>[3.390]  |
| HB1133*-**** | 33   | 81.28<br>[3.200] | 83.57<br>[3.290]  |
| HB1132*-**** | 32   | 78.74<br>[3.100] | 81.03<br>[3.190]  |
| HB1131*-**** | 31   | 76.20<br>[3.000] | 25.15<br>[3.090]  |
| HB1130*-**** | 30   | 73.66<br>[2.900] | 37.85<br>[2.990]  |
| HB1129*-**** | 29   | 71.12<br>[2.800] | 35.31<br>[2.890]  |
| HB1128*-**** | 28   | 68.58<br>[2.700] | 32.77<br>[2.790]  |
| HB1127*-**** | 27   | 66.04<br>[2.600] | 30.23<br>[2.690]  |
| HB1126*-**** | 26   | 63.50<br>[2.500] | 27.69<br>[2.590]  |
| HB1125*-**** | 25   | 58.42<br>[2.400] | 63.25<br>[2.490]  |
| HB1124*-**** | 24   | 55.88<br>[2.300] | 60.71<br>[2.390]  |
| HB1123*-**** | 23   | 53.34<br>[2.200] | 58.17<br>[2.290]  |
| HB1122*-**** | 22   | 50.80<br>[2.100] | 55.63<br>[2.190]  |
| HB1121*-**** | 21   | 48.26<br>[2.000] | 53.09<br>[2.090]  |
| P/N          | POS. | DIM. A           | DIM. B            |

307-0000-210



| CODE | DESCRIPTION  |
|------|--|
| K0   | ALL PINS WITH KINK.  |
| K3   | SAME AS REMARK $\Delta$                                      |
| B8   | 5th & 12th & 14th & 25th PINS OMITTED.                       |
| B9   | 2nd & 4th & 7th PINS OMITTED.                                |
| D0   |  |
| D1   | 2nd & FINAL 2nd PINS OMITTED.                                |
| D2   | 20th POSITION OMITTED.                                       |
| D3   | 4th & 21st POSITION OMITTED.                                 |
| D4   | 8th POSITION OMITTED.  |
| D5   | 3rd POSITION OMITTED.  |
| D6   | 2nd, 4th, 6th & 10th POSITION OMITTED.                       |
| D7   | 4th, 8th, 12th, 16th, 20th, & 24th POSITION OMITTED.         |
| D8   | 3rd,4th,6th,9th,13th & 15th POSITION OMITTED.                |
| D9   | 3rd & 4th POSITION OMITTED.                                  |
| P0   | 4th POSITION OMITTED.  |
| P1   | 6th POSITION OMITTED.  |
| P2   | 9th & 10th POSITION OMITTED.                                 |
| P3   | 2nd POSITION OMITTED.  |
| P4   | 5th POSITION OMITTED.  |
| P5   | 10th POSITION OMITTED.                                       |
| P6   | 2nd, 6th, 9th & 11th POSITION OMITTED.                       |
| P7   | 3rd, 5th, 8th POSITION OMITTED.                              |
| P8   | 7th POSITION OMITTED.  |
| P9   | 9th POSITION OMITTED.  |
| T0   | 2nd, 9th, 11th, 14th, 17th, 20th,21st & 23rd POSI. OMITTED.  |
| T1   | 1st & END PINS WITH KINK, 2nd POSITION OMITTED.              |
| T2   | ALL PINS WITH KINK, 3rd & 4th POSITION OMITTED.              |
| T3   | ALL PINS WITH KINK, 5th & 6th POSITION OMITTED.              |
| T4   | 2nd, 9th, 11th, 14th, 17th, 20th & 22nd POSITION OMITTED.    |
| T5   | 3rd, 4th, 13rd & 14th POSITION OMITTED.                      |
| T6   | 2nd,3rd,5th,9th,11th,14th,17th,20th & 22nd POSITION OMITTED. |
| T7   | 3rd,4th,6th,9th,13th,15th & 16th POSITION OMITTED.           |
| T8   | 2nd & 3rd POSITION OMITTED.                                  |
| T9   | 3rd,5th,9th,13th & 15th POSITION OMITTED.                    |
| U0   | 4th, 8th & 12th POSITION OMITTED.                            |
| U1   | 3rd & 5th POSITION OMITTED                                   |
| U2   | 3rd, 5th & 9th POSITION OMITTED                              |
| U3   | 3rd,4th,6th,9th & 15th POSITION OMITTED.                     |
| U4   | 3rd,7th,9th,11th,14th,16th,20th & 22nd POSITION OMITTED.     |
| U5   | 3rd,5th,9th,13th & 16th POSITION OMITTED.                    |
| U6   | 2nd,9th,11th,17th,20th,22nd & 24th POSITION OMITTED.         |
| U7   | 5th,7th,12th,14th,17th,19th,21st & 25th POSITION OMITTED.    |
| U8   | 2nd,5th,8th & 10th POSITION OMITTED.                         |
| U9   | 4th & 8th POSITION OMITTED.                                  |
| L0   | 3rd,5th,9th,13th & 15th POSITION OMITTED.                    |
| L1   | 5th,9th & 12th POSITION OMITTED.                             |
| L2   | 2nd,9th,10th,11th,12th,15th & 17 POS. OMITTED.               |
| L3   | 2nd,5th & 17th POSITION OMITTED.                             |
| L4   | 5th,7th,11th,13th,16th,20th & 24th POS. OMITTED.             |
| L5   | 4th,9th,16th & 19th POS. OMITTED.                            |
| L6   | 4th & 9th POSITION OMITTED.                                  |
| L8   | 5th,7th & 15th POSITION OMITTED.                             |
| L9   | 12th POSITION OMITTED.                                       |

Remark:

- $\Delta$  Optional For Plating  
 0=100u" Tin/Lead over All  
 1=Gold Flash over All  
 7=15u" Gold on Contact Area  
 C=3u" Gold on Contact Area  
 G=Gold Flash on Contact Area  
 E=100u" min. Tin with Lead Free  
 "RoHS COMPLAINCE"  
 F=Gold Flash with Lead Free  
 "RoHS COMPLAINCE"  
 V=15u" Gold with Lead Free  
 "RoHS COMPLAINCE"  
 U=Gold flash on Contact Area  
 with Lead Free "RoHS COMPLAINCE"
- $\Delta$  Optional for Kinks.  
 K = The 1st, 2nd, N &  
 N-1, 4 Pieces of  
 terminals are kinked.
- $\Delta$  Optional for housing Color.  
 None: Standard product  
 (color black)  
 W: color Ivory