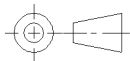
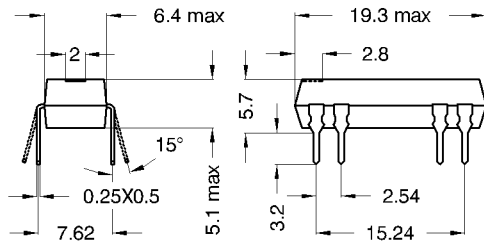
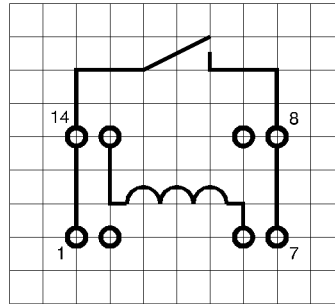


Dimensions (Tolerance  $\pm 0.1$ )



Layout 10L Pitch 2.54/Top View



Marking

Typ Layout  
 Production Code  
 EN 60062

MEDER electronic  
 DIP24-1A72-10L YW

Coil Data at 20 °C	Conditions	Min	Typ	Max	Unit
Coil resistance		1.800	2.000	2.200	Ohm
Coil voltage			24		VDC
Rated power			288		mW
Thermal resistance	max. Relay temperature = operating temperature + self heating		87		K/W
Pull-In voltage				16,8	VDC
Drop-Out voltage		3,6			VDC

	Conditions	Min	Typ	Max	Unit
Contact rating (<25 AT)				15	W
Switching voltage				200	V
Switching current				1	A
Carry current				1,25	A
Contact resistance static				150	mOhm
Insulation resistance		1.000			GOhm
Breakdown voltage (<26 AT)		250			VDC
Operate time incl. bounce				0,5	ms
Release time				0,1	ms
Capacity			0,3		pF

Special Product Data	Conditions	Min	Typ	Max	Unit
Insulation resistance Coil/Contact	RH <45%, 200 VDC Messspannung	100	1.000		GOhm
Insulation voltage Coil/Contact	gemäß IEC 255-5	1,5			kV DC
Housing material					
Connection pins					Copper alloy tin plated

Environmental data	Conditions	Min	Typ	Max	Unit
Shock	1/2 sine wave duration 11ms			150	g
Vibration	from 10 - 2000 Hz			10	g
Soldering temperature	Wellenlöten max. 5 sec			260	°C
Cleaning					