



### FEATURES

- RoHS compliant
- Primary current rating 15A<sup>4</sup>
- 50, 100, & 200 turn variants
- Primary to secondary isolation 1000Vrms
- 50kHz-500kHz frequency range
- Surface mount
- Industry-standard footprint
- UL94 V-0 package materials
- Tube or tape & reel packaging available
- J-STD-020C reflow

### PRODUCT OVERVIEW

The 5500 series of current sense transformers are designed to monitor AC currents. The transformers can be used for high frequency current sensing in applications such as switched-mode power supplies, motor control, and electronic lighting ballasts.

### SELECTION GUIDE

Order Code <sup>1</sup>	Turns Ratio	Min. Secondary Inductance mH	Max. DC Resistance		Isolation Voltage <sup>2</sup> (Pri-Sec) Vrms	Terminating Resistance to produce 1V <sub>OUT</sub> /1A <sub>IN</sub> ±0.1% Ω
			Primary (1,3-2,4) mΩ	Secondary (5-6) mΩ		
<b>55050C</b>	1:1:50	3.8	2.3	350	1000	50
<b>55100C</b>	1:1:100	14.8	2.3	850	1000	100
<b>55200C</b>	1:1:200	60.0	2.3	3600	1000	200

### ABSOLUTE MAXIMUM RATINGS

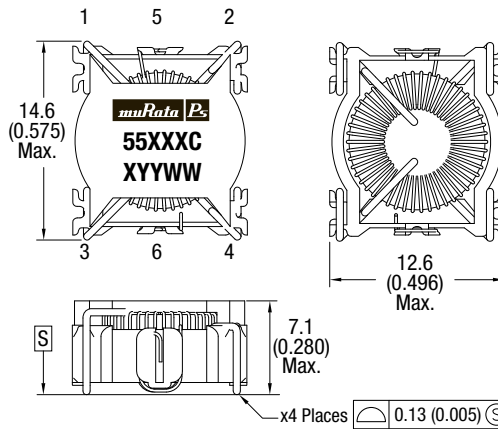
Operating free air temperature range	-40°C to 125°C
Storage temperature range	-40°C to 140°C

### SOLDERING INFORMATION<sup>3</sup>

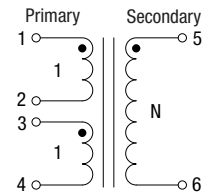
Peak reflow solder temperature	245°C
Pin finish	Reflowed tin

### PACKAGE SPECIFICATIONS

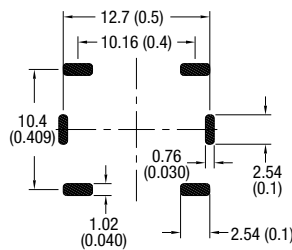
#### Mechanical Dimensions



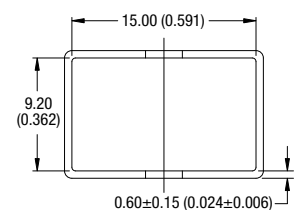
#### Schematic



#### Recommended Footprint Details



#### Tube Outline Dimensions



Tube length: 475±2.0 (18.701±0.079)  
Tube quantity: 35 Tube material: Antistatic coated clear PVC

Unless otherwise stated, all dimensions in mm (inches) ±0.25 (0.010).

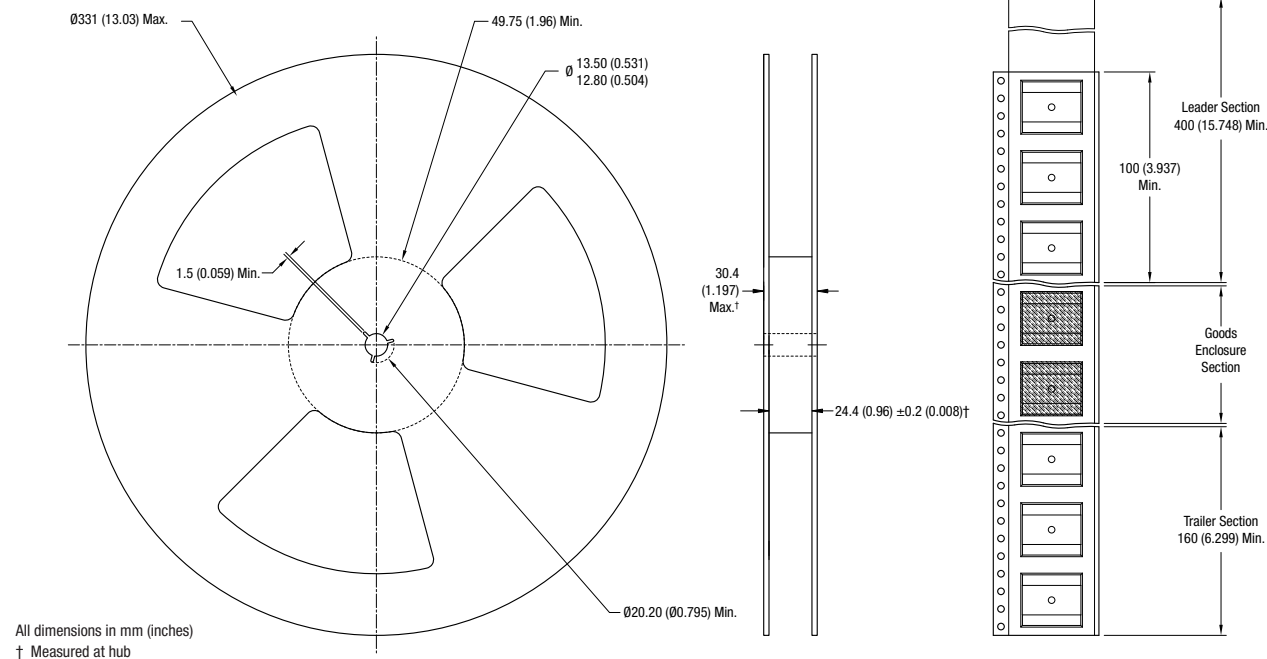
Specifications typical at T<sub>a</sub> = 25°C

1. If components are required in tape and reel format suffix order code with -R, e.g. 55050C-R.
2. Flash tested for 1 second.
3. For further information, please visit [www.murata-ps.com/rohs](http://www.murata-ps.com/rohs)
4. Primary windings connected in parallel.



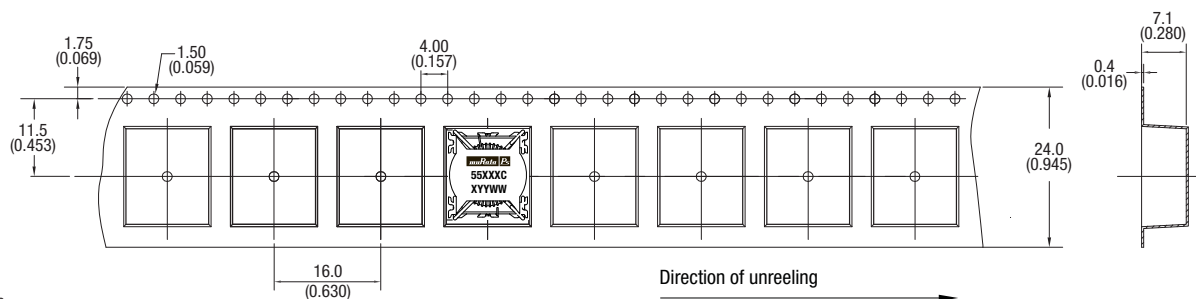
**PACKAGE SPECIFICATIONS**

**Reel Dimensions**



All dimensions in mm (inches)  
 † Measured at hub

**Tape Outline Dimensions**



Reel quantity: 650  
 All dimensions in mm (inches)