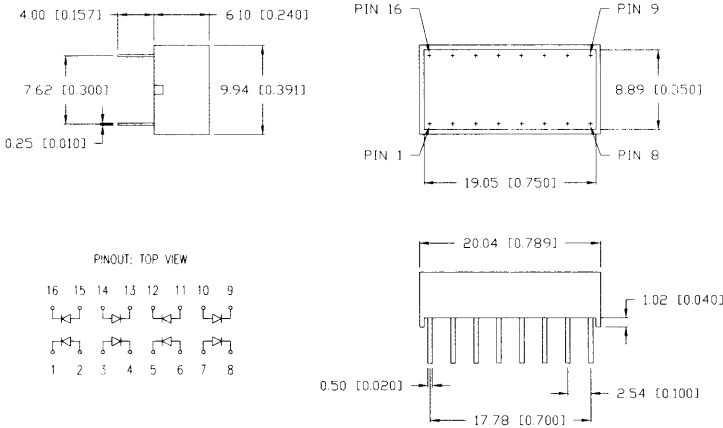


SSB-LX2x85 Series

10x20mm, 8-Chip Light Bars



FEATURES / OPTIONS

- State-of-the-Art, High Intensity Chip Technology
- Pre-Sorted Chips for Color & Industry Uniformity
- High Light Reflectivity/Low Cross-Talk Reflectors
- Advanced Chip on Board Technology
- Choice of Colors and Color Combinations
- Custom Designs, Easily Developed, Low Minimum

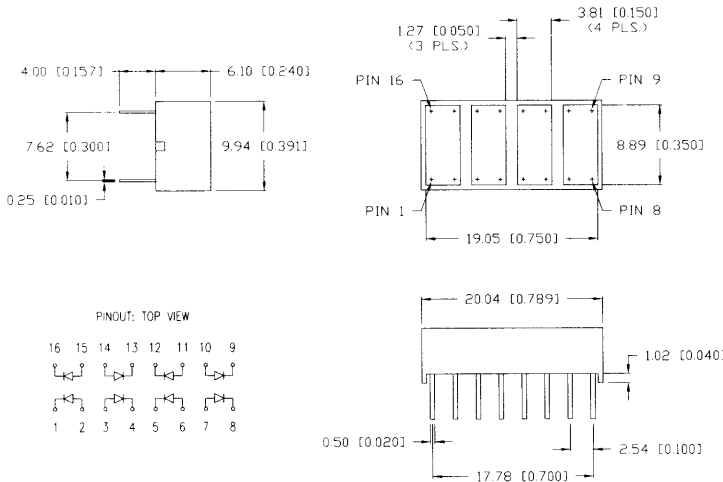
APPLICATIONS / USES

- Backlighting Legends or Switches
- Large PCB Installed Indicators
- Keyboard Status Indicators
- Medical Diagnostics Equipment
- Industrial Automation Controls
- Control Panel Indicators

| Lumex Part Number | Dice Material | Emitted Color | Peak (nm) | Epoxy Lens | Vf @ 20mA | | Brightness | | View Angle° 2x THETA |
|-------------------|---------------|--------------------------|-----------|-----------------|-----------|------|------------|------|-------------------------|
| | | | | | TYP.. | Max. | TYP. mcd | @ mA | |
| SSB-LX2685SID | AllnGaP | Super High Intensity Red | 636 | Red Diffused | 2.0 | 2.6 | 200 | 20 | 160 |
| SSB-LX2685SIW | AllnGaP | Super High Intensity Red | 636 | White Diffused | 2.0 | 2.6 | 200 | 20 | 160 |
| SSB-LX2785SOD | AllnGaP | Super Orange | 610 | Orange Diffused | 2.0 | 2.6 | 180 | 20 | 160 |
| SSB-LX2785SOW | AllnGaP | Super Orange | 610 | White Diffused | 2.0 | 2.6 | 180 | 20 | 160 |
| SSB-LX2885SPGD | AllnGaP | Super Pure Green | 562 | Green Diffused | 2.2 | 2.6 | 150 | 20 | 160 |
| SSB-LX2885SPGW | AllnGaP | Super Pure Green | 562 | White Diffused | 2.2 | 2.6 | 150 | 20 | 160 |
| SSB-LX2785SYD | AllnGaP | Super Yellow | 590 | Yellow Diffused | 2.0 | 2.6 | 200 | 20 | 160 |
| SSB-LX2785SYW | AllnGaP | Super Yellow | 590 | White Diffused | 2.0 | 2.6 | 200 | 20 | 160 |

SSB-LX2x20 Series

10x20mm, 4 Windows, 8-Chip Light Bars



FEATURES / OPTIONS

- State-of-the-Art, High Intensity Chip Technology
- Pre-Sorted Chips for Color & Industry Uniformity
- High Light Reflectivity/Low Cross-Talk Reflectors
- Advanced Chip on Board Technology
- Choice of Colors and Color Combinations
- Custom Designs, Easily Developed, Low Minimum

APPLICATIONS / USES

- Backlighting Legends or Switches
- Large PCB Installed Indicators
- Keyboard Status Indicators
- Medical Diagnostics Equipment
- Industrial Automation Controls
- Control Panel Indicators

| Lumex Part Number | Dice Material | Emitted Color | Peak (nm) | Epoxy Lens | Vf @ 20mA | | Brightness | | View Angle° 2x THETA |
|-------------------|---------------|--------------------------|-----------|-----------------|-----------|------|------------|------|-------------------------|
| | | | | | TYP.. | Max. | TYP. mcd | @ mA | |
| SSB-LX2620SID | AllnGaP | Super High Intensity Red | 636 | Red Diffused | 2.0 | 2.6 | 100 | 20 | 160 |
| SSB-LX2620SIW | AllnGaP | Super High Intensity Red | 636 | White Diffused | 2.0 | 2.6 | 100 | 20 | 160 |
| SSB-LX2720SOD | AllnGaP | Super Orange | 610 | Orange Diffused | 2.0 | 2.6 | 90 | 20 | 160 |
| SSB-LX2720SOW | AllnGaP | Super Orange | 610 | White Diffused | 2.0 | 2.6 | 90 | 20 | 160 |
| SSB-LX2820SPGD | AllnGaP | Super Pure Green | 562 | Green Diffused | 2.2 | 2.6 | 75 | 20 | 160 |
| SSB-LX2820SPGW | AllnGaP | Super Pure Green | 562 | White Diffused | 2.2 | 2.6 | 75 | 20 | 160 |
| SSB-LX2720SYD | AllnGaP | Super Yellow | 590 | Yellow Diffused | 2.0 | 2.6 | 100 | 20 | 160 |
| SSB-LX2720SYW | AllnGaP | Super Yellow | 590 | White Diffused | 2.0 | 2.6 | 100 | 20 | 160 |