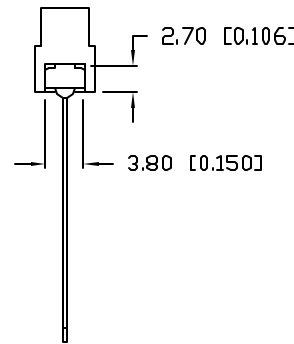
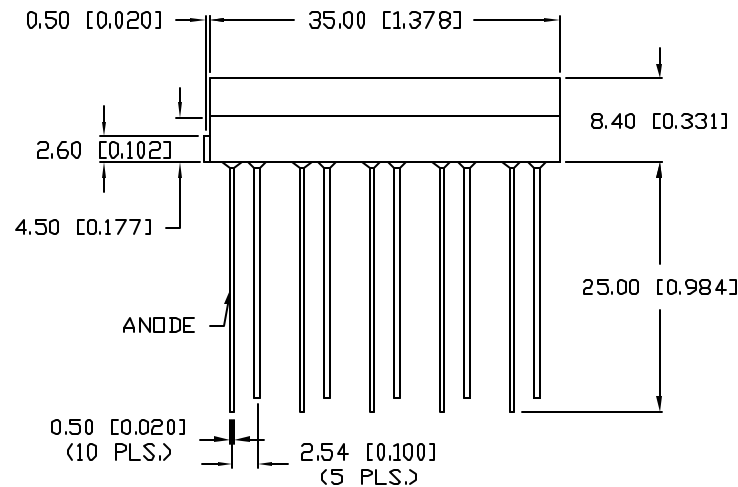
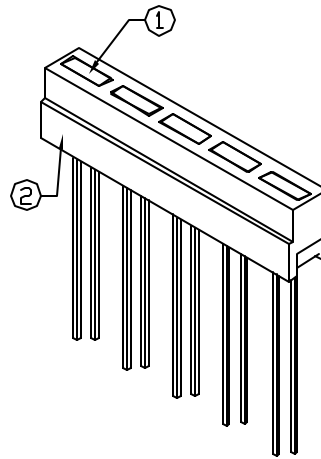
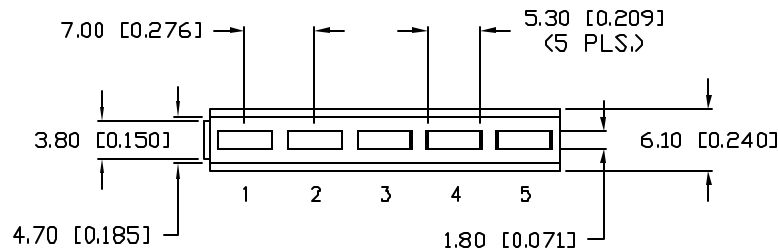


UNCONTROLLED DOCUMENT

PART NUMBER
SSA-LXB525SBGIOYD

REV.



ELECTRO-OPTICAL CHARACTERISTICS $T_A=25^{\circ}\text{C}$ $I_f=20\text{mA}$

PARAMETER	BLUE	GREEN	RED	ORANGE	YELLOW	UNITS	TEST COND
PEAK WAVELENGTH	430	565	635	630	585	nm	
FORWARD VOLTAGE (TYP.)	4.5	2.2	2.0	2.0	2.1	V_f	
FORWARD VOLTAGE (MAX.)	5.5	2.6	2.5	2.5	2.5	V_f	
REVERSE VOLTAGE	5.0	5.0	5.0	5.0	5.0	V_r	$I_f=100\mu\text{A}$
AXIAL INTENSITY	10	10	12	10	10	mcd	$I_f=20\text{mA}$
VIEWING ANGLE	110	110	110	110	110	2x theta	
LED POSITION:	1	2	3	4	5		
EPOXY LENS FINISH:	DIFFUSED SAME AS EMITTED COLOR						

LIMITS OF SAFE OPERATION AT 25°C PER LED

PARAMETER	COLORS	MAX	UNITS
PEAK FORWARD CURRENT*		150	mA
STEADY CURRENT	(B/G/R/O/Y)	30/25/30/30/30	mA
POWER DISSIPATION		105	mW
DERATE FROM 25°C		-1.2	mW/°C
OPERATING, STORAGE TEMP.		-40 TO +85	°C
SOLDERING TEMP.		+260	°C
2.0mm FROM BODY			3 SEC. MAX

* $t < 10\mu\text{s}$

NOTES:

- SSL-LX2583SBD, LED.
SSL-LX2583GD, LED.
SSL-LX2583ID, LED.
SSL-LX2583OD, LED.
SSL-LX2583YD, LED.
- SSH-LXH525, HOLDER.
- BACKFILL BOTTOM OF HOLDER WITH U.V. GLUE TO SECURE LEADS.

UNCONTROLLED DOCUMENT

*UNLESS OTHERWISE SPECIFIED TOLERANCES PER DECIMAL PRECISION ARE: X=±1 (±0.039), X.X=±0.5 (±0.029), X.XX=±0.25 (±0.010), X.XXX=±0.127 (±0.005). LEAD SIZE=±0.05 (±0.002), LEAD LENGTH=±0.75 (±0.030), MIN= $\begin{matrix} +0.00 \\ -0.00 \end{matrix}$ DECIMAL PRECISION MAX.= $\begin{matrix} +0.00 \\ -0.00 \end{matrix}$ DECIMAL PRECISION

REV.

PART NUMBER

SSA-LXB525SBGIOYD

CONFIDENTIAL INFORMATION
THE INFORMATION CONTAINED IN THIS DOCUMENT IS THE PROPERTY OF LUMEX INC. EXCEPT AS SPECIFICALLY AUTHORIZED IN WRITING BY LUMEX INC, THE HOLDER OF THIS DOCUMENT SHALL KEEP ALL INFORMATION CONTAINED HEREIN CONFIDENTIAL AND SHALL PROTECT SAME IN WHOLE OR IN PART FROM DISCLOSURE AND DISSEMINATION TO ALL THIRD PARTIES.



290 E. HELEN ROAD
PALATINE, IL 60067-6976
PHONE: +1.847.359.2790
US WEB: www.lumex.com
TW WEB: www.lumex.com.tw

1.8mm x 5.3mm 5 UNIT LED ARRAY,
POS.1: BLUE, POS.2: GREEN, POS.3: RED, POS.4: ORANGE,
POS.5: YELLOW, COLOR DIFFUSED LENS.

RELIABILITY NOTE
OUR MANY YEARS OF EXPERIENCE DATA ACCUMULATION INDICATE THAT SOLDER HEAT IS A MAJOR CAUSE OF EARLY AND FUTURE FAILURE. PLEASE PAY ATTENTION TO YOUR SOLDERING PROCESS.

DRAWN BY:

GT

CHECKED BY:

APPROVED BY:

DATE: 12.6.01

PAGE: 1 OF 1

SCALE: N/A