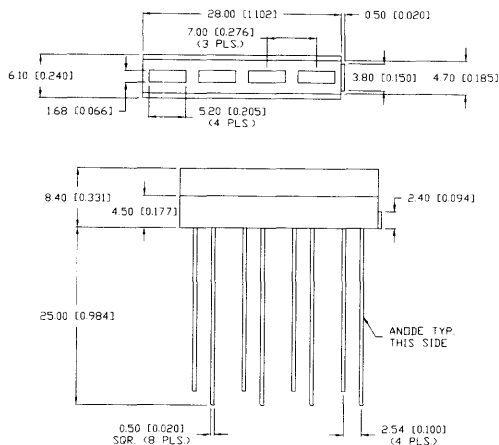


SSA-LXB425 Series

2x5mm Rectangular LED Array, 4 LEDs



FEATURES / OPTIONS

- State-of-the-Art, High Brightness Chip Technology
- Pre-Sorted LEDs for Color & Brightness Uniformity
- Easy Installation Over Using Individual LEDs
- Choice of Colors and Color Combinations
- Black or Gray Holders for High Contrast
- Custom Arrays, Easily Developed, Low Minimum
- Blinking LED
- With Internal Resistor for 5V and 12V Operation

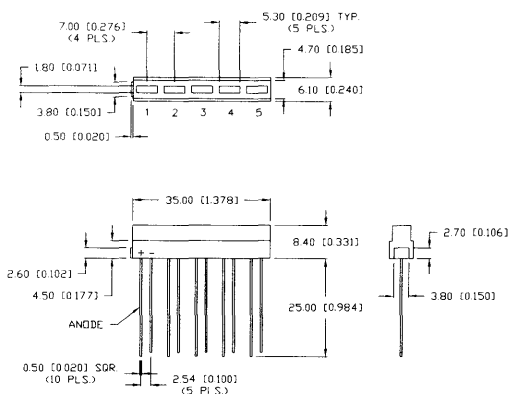
APPLICATIONS / USES

- Level, VU, Power Indicators
- Ladder or Range Annunciator
- Professional Audio Equipment
- Power Stations, Power Level Indicator
- Medical Diagnostics, Test Equipment
- Industrial Control Panels

Lumex Part Number	Dice Material	Emitted Color	Peak (nm)	Epoxy Lens	Operating Current (mA)	Operating TYP. Vf (V)	Brightness		View Angle° 2x THETA	Component LED Used
							TYP. mcd	@ mA		
HIGH BRIGHTNESS										
SSA-LXB425SID	AllnGaP	Super High Intensity Red	636	Red Diffused	5-25	2.0	100	20	110	SSL-LX2583SID
SSA-LXB425SOD	AllnGaP	Super Orange	610	Orange Diffused	5-25	2.0	100	20	110	SSL-LX2583SOD
SSA-LXB425SPGD	AllnGaP	Super Pure Green	562	Green Diffused	5-25	2.2	50	20	110	SSL-LX2583SPGD
SSA-LXB425SYD	AllnGaP	Super Yellow	590	Yellow Diffused	5-25	2.0	100	20	110	SSL-LX2583SYD
SSA-LXB425USB	InGaN/SiC	Ultra Super Blue	470	Blue Diffused	5-25	3.5	60	20	110	SSL-LX2583USB

SSA-LXB525 Series

2x5mm Rectangular LED Array, 5 LEDs



FEATURES / OPTIONS

- State-of-the-Art, High Brightness Chip Technology
- Pre-Sorted LEDs for Color & Brightness Uniformity
- Easy Installation Over Using Individual LEDs
- Choice of Colors and Color Combinations
- Black or Gray Holders for High Contrast
- Custom Arrays, Easily Developed, Low Minimum
- Blinking LED
- With Internal Resistor for 5V and 12V Operation

APPLICATIONS / USES

- Level, VU, Power Indicators
- Ladder or Range Annunciator
- Professional Audio Equipment
- Power Stations, Power Level Indicator
- Medical Diagnostics, Test Equipment
- Industrial Control Panels

Lumex Part Number	Dice Material	Emitted Color	Peak (nm)	Epoxy Lens	Operating Current (mA)	Operating TYP. Vf (V)	Brightness		View Angle° 2x THETA	Component LED Used
							TYP. mcd	@ mA		
HIGH BRIGHTNESS										
SSA-LXB525SID	AllnGaP	Super High Intensity Red	636	Red Diffused	5-25	2.0	100	20	110	SSL-LX2583SID
SSA-LXB525SOD	AllnGaP	Super Orange	610	Orange Diffused	5-25	2.0	100	20	110	SSL-LX2583SOD
SSA-LXB525SPGD	AllnGaP	Super Pure Green	562	Green Diffused	5-25	2.2	50	20	110	SSL-LX2583SPGD
SSA-LXB525SYD	AllnGaP	Super Yellow	590	Yellow Diffused	5-25	2.0	100	20	110	SSL-LX2583SYD
SSA-LXB525USB	InGaN/SiC	Ultra Super Blue	470	Blue Diffused	5-25	3.5	60	20	110	SSL-LX2583USB
STANDARD BRIGHTNESS										
SSA-LXB525GD	GaP	Green	565	Green diffused	5-25	2.1	10	20	110	SSL-LX2583GD
SSA-LXB525ID	GaAsP	High Intensity Red	635	Red Diffused	5-25	2.1	10	20	110	SSL-LX2583ID
SSA-LXB525SRD	GaAlAs	Super Red	660	Red Diffused	5-25	1.8	50	20	110	SSL-LX2583SRD
SSA-LXB525YD	GaAsP	Yellow	585	Yellow Diffused	5-25	2.1	10	20	110	SSL-LX2583YD