

50Ω RF CABLE ASSEMBLIES RF174, RF316 SERIES

SPECIFICATIONS

For complete specifications see www.samtec.com?RF174 or www.samtec.com?RF316

RF Connector:

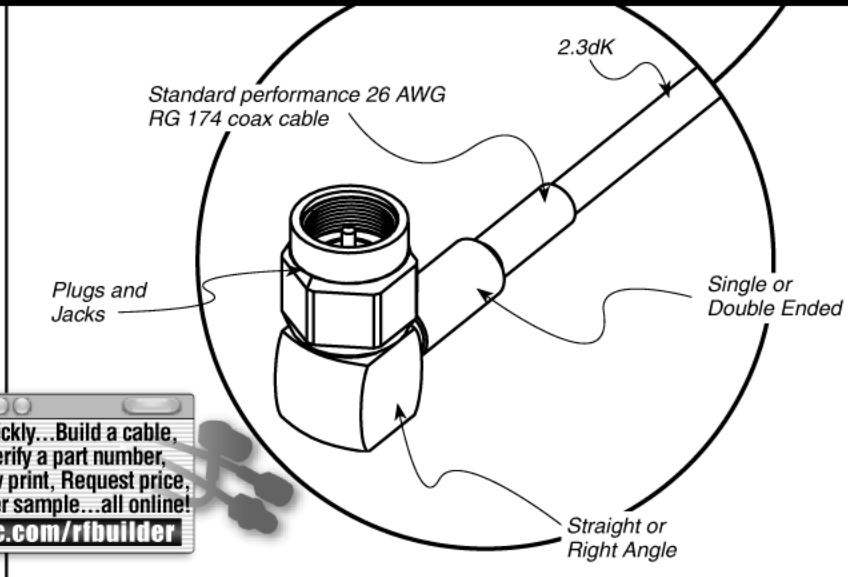
Shell Material: Brass
Contact Material: Brass
Operating Temperature: -65°C to +165°C
Voltage Rating: 170V max
Dielectric Withstanding Voltage: 750 Vrms
Contact Resistance: Center Contact: 6mΩ max
 Outer Contact: 2mΩ max
Insulator Resistance: 5,000 MΩ
Impedance: 50Ω

RG 174 Cable:

Impedance: 50Ω
Capacitance: 101.024pF/meter
Propagation Delay: 5.06 nsec/meter
Max Attenuation (cable only): 1.4dB @ 1GHz for 1 meter
Conductor Size: 26 AWG, (0.48mm) .019" dia.
Conductor Material: Copper
Conductor Resistance: 0.14Ω/meter
Current Rating: 5A
Insulator Diameter: (1.52mm) .060"
Insulator Material: PE
Dielectric Constant: 2.3dK
Shield Material: Tin Copper
Jacket Material: PVC
Jacket Diameter: (2.70mm) .106"
Jacket Temp Rating: -50°C to +90°C
Jacket Color: Black

RG 316 Cable:

Impedance: 50Ω
Capacitance: 96.432pF/meter
Propagation Delay: 4.83 nsec/meter
Max Attenuation (cable only): 1.25dB @ 1GHz for 1 meter
Conductor Size: 26 AWG, (0.51mm) .020" dia.
Conductor Material: Silver Plated Copper
Conductor Resistance: 0.13Ω/meter max
Current Rating: 5A
Insulator Diameter: (1.52mm) .060"
Insulator Material: PTFE
Dielectric Constant: 2.1dK
Shield Material: Silver Plated Copper Clad Steel
Jacket Material: FEP
Jacket Diameter: (2.54mm) .100"
Jacket Temp Rating: -50°C to +250°C
Jacket Color: Amber



RF Cable Builder
 Quickly... Build a cable.
 Verify a part number.
 View print, Request price.
 Order sample... all online!
www.samtec.com/rfbuilder

CABLE TYPE — **END 1 CONNECTOR** — **END 2 CONNECTOR**

RF174 = RG 174 Cable
RF316 = RG 316 Cable

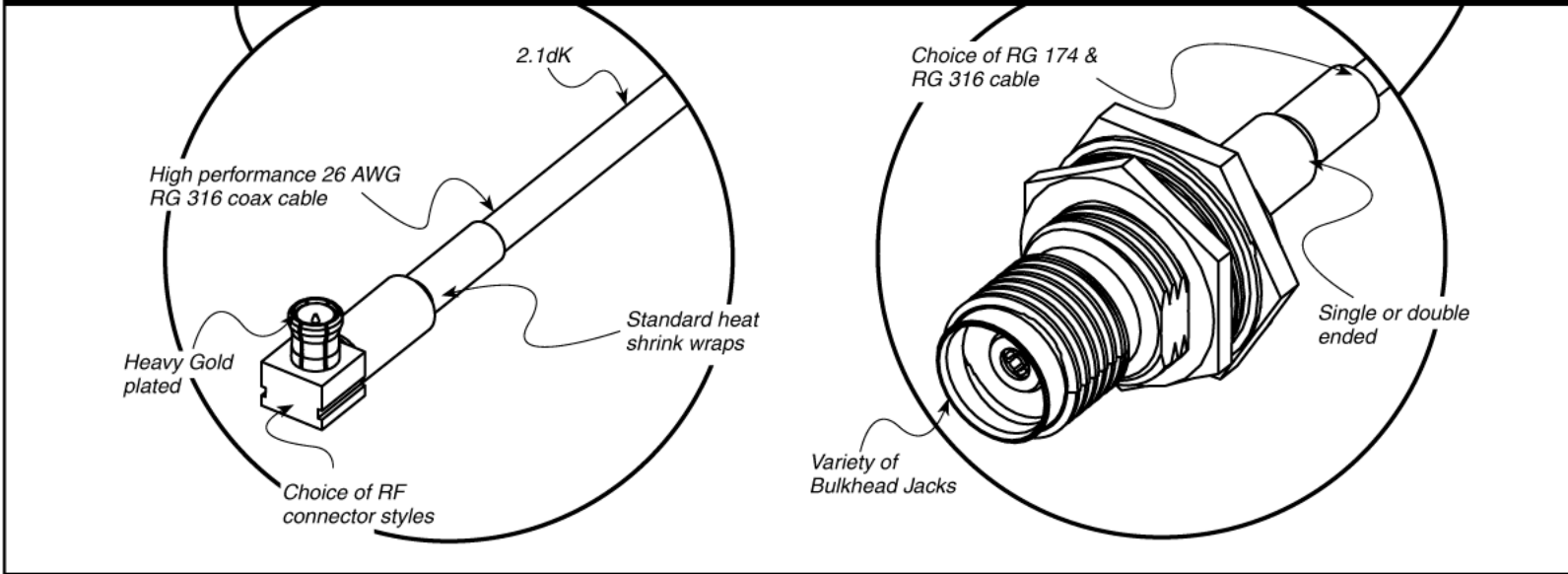
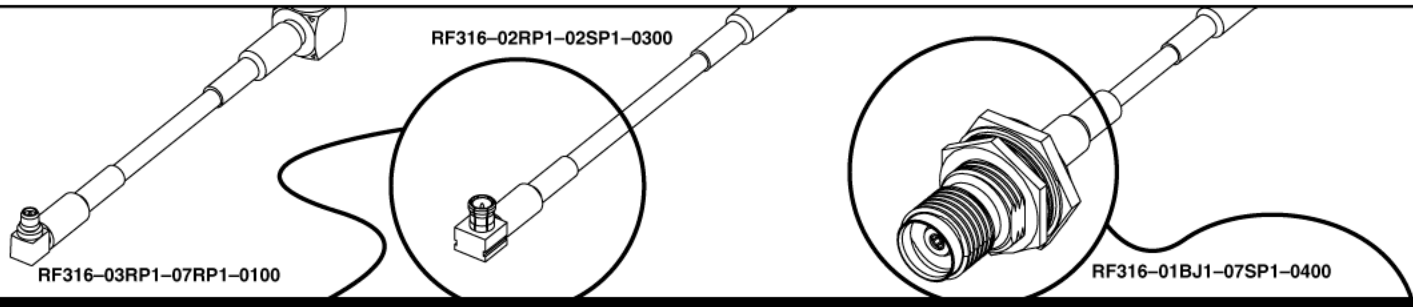
Specify END OPTIONS from chart

END OPTIONS	
-01SP1 = SMA, Straight Plug	
-01RP1 = SMA, Right Angle Plug	
-07SP1 = SMB, Straight Plug	
-07RP1 = SMB, Right Angle Plug	
-02SJ1 = MCX, Straight Jack	

END OPTIONS	
-02RP1 = MCX, Right Angle Plug	
-02SP1 = MCX, Straight Plug	
-03SP1 = MMCX, Straight Plug	
-03RP1 = MMCX, Right Angle Plug	
-04SP1 = BNC, Straight Plug	
-05SP1 = TNC, Straight Plug	
-SING = Single-Ended (End 2 only)	

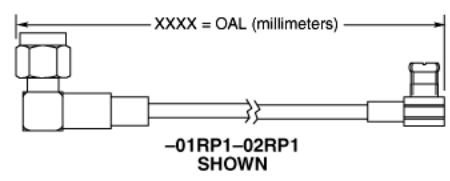
Due to technical progress, all designs, specifications and components are subject to change without notice.

WWW.SAMTEC.COM



OVERALL LENGTH

- "XXXX"
 = Overall Length in millimeters -0100 to -1000
 (100mm) 3.94" to (1000mm) 39.37"



TNC, NTPE, BNC & SMB
 PRELIMINARY

END OPTIONS	
-07BJ1 = SMB, Bulkhead Jack	
-01BJ1 = SMA, Bulkhead Jack	
-04BJ1 = BNC, Bulkhead Jack	

END OPTIONS	
-05BJ1 = TNC, Bulkhead Jack	
-06BJ1 = N Type, Bulkhead Jack	

Due to technical progress, all designs, specifications and components are subject to change without notice.

WWW.SAMTEC.COM