

SYM.	DCN NO.	DESCRIPTION	DATE	DRAWN	CHECKED	APP'D	APP'D

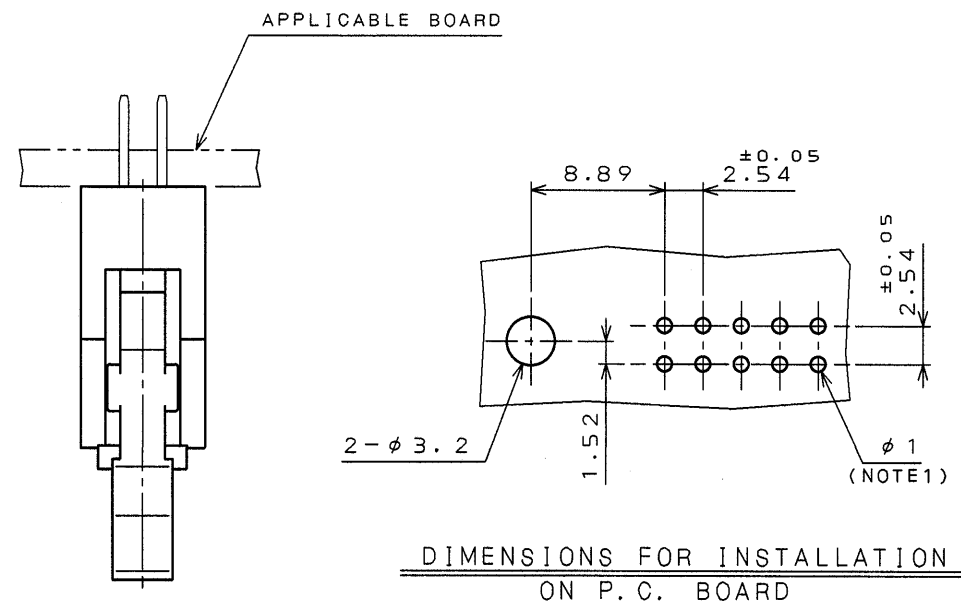
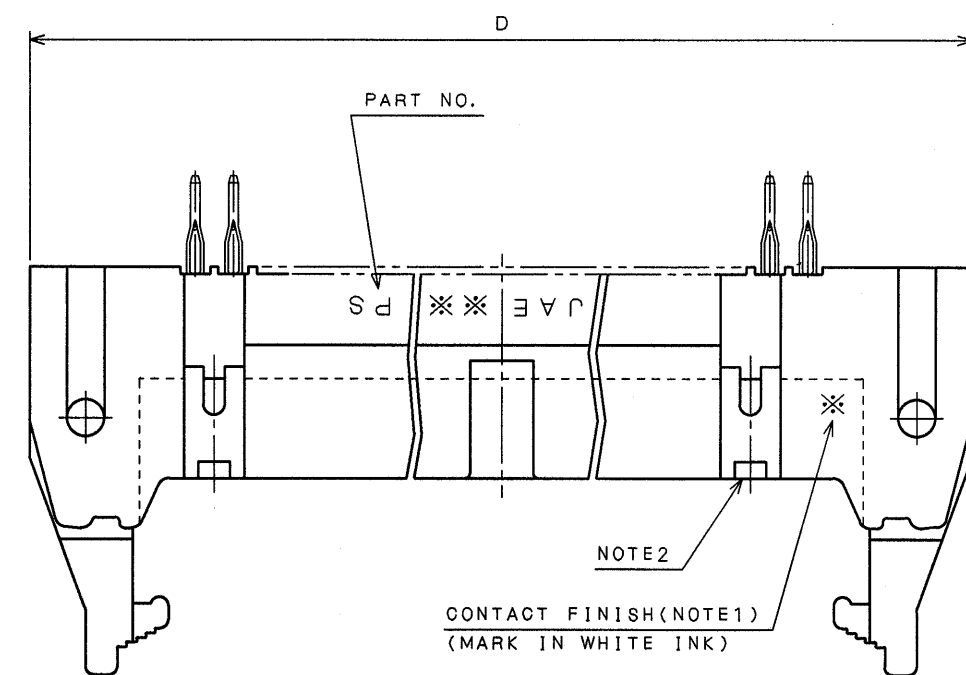


TABLE 1. PART NO. NO. OF CONTACTS AND DIMENSIONS

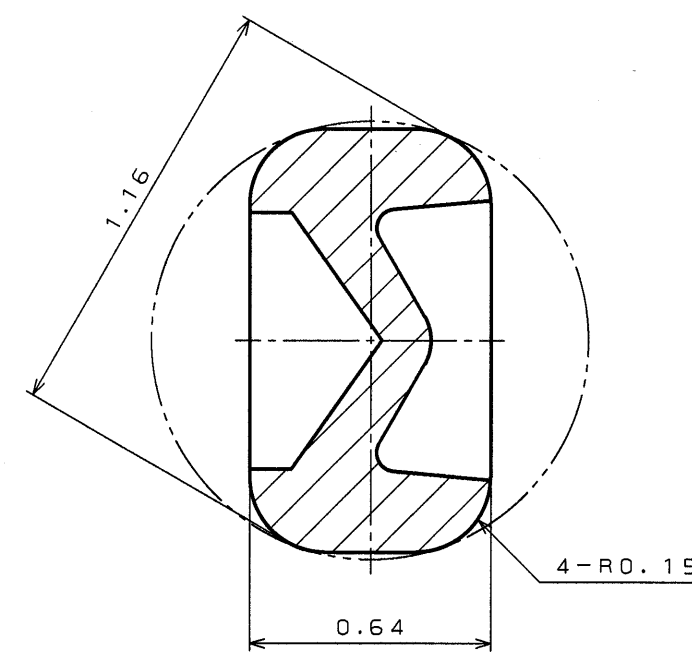
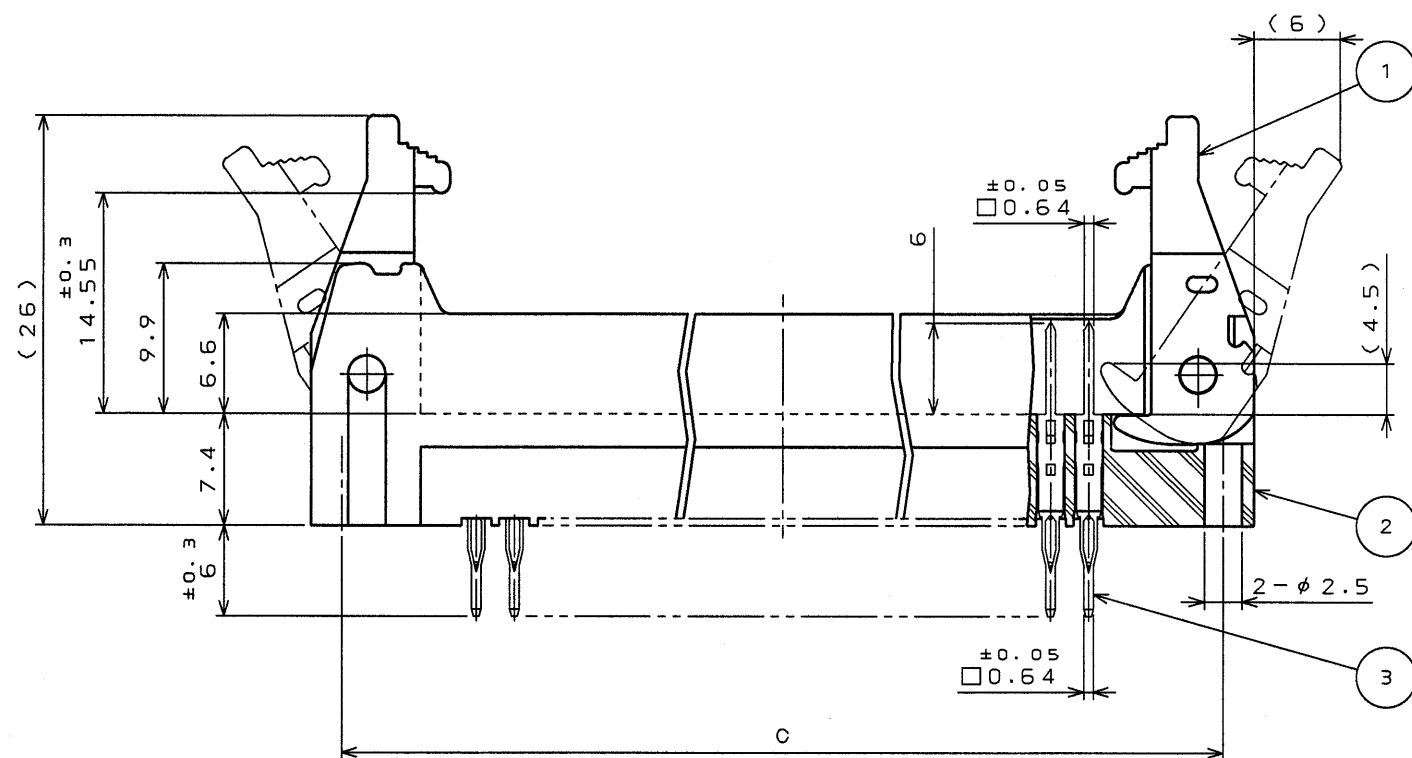
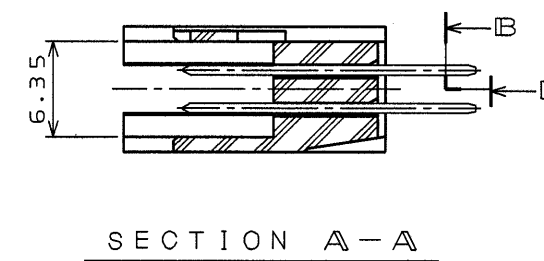
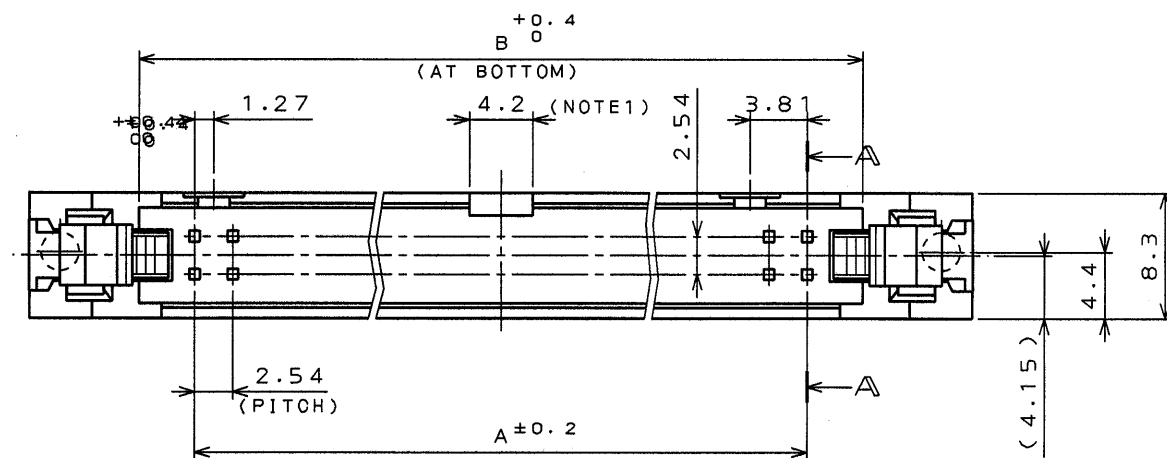
PART NO.	NO. OF CONTACTS	A	B	C	D
PS-M10PE-D4S1-M※	10	10.16	17.53	27.94	32
PS-M16PE-D4S1-M※	16	17.78	25.15	35.56	39.6
PS-M20PE-D4S1-M※	20	22.86	30.23	40.64	44.7
PS-M26PE-D4S1-M※	26	30.48	37.85	48.26	52.3
PS-M30PE-D4S1-M※	30	35.56	42.93	53.34	57.4
PS-M34PE-D4S1-M※	34	40.64	48.01	58.42	62.5
PS-M40PE-D4S1-M※	40	48.26	55.63	66.04	70.1
PS-M50PE-D4S1-M※	50	60.96	68.33	78.74	82.8
PS-M60PE-D4S1-M※	60	73.66	81.03	91.44	95.5

TABLE 2. FINISH

FINISH	CONTACT AREA	OTHER
1	GOLD(0.1μm MIN) OVER NICKEL	GOLD FLASH OVER NICKEL
2	GOLD(0.3μm MIN) OVER NICKEL	GOLD FLASH OVER NICKEL
3	GOLD(0.76μm MIN) OVER NICKEL	GOLD FLASH OVER NICKEL
4	GOLD(0.5μm MIN) OVER NICKEL	GOLD FLASH OVER NICKEL

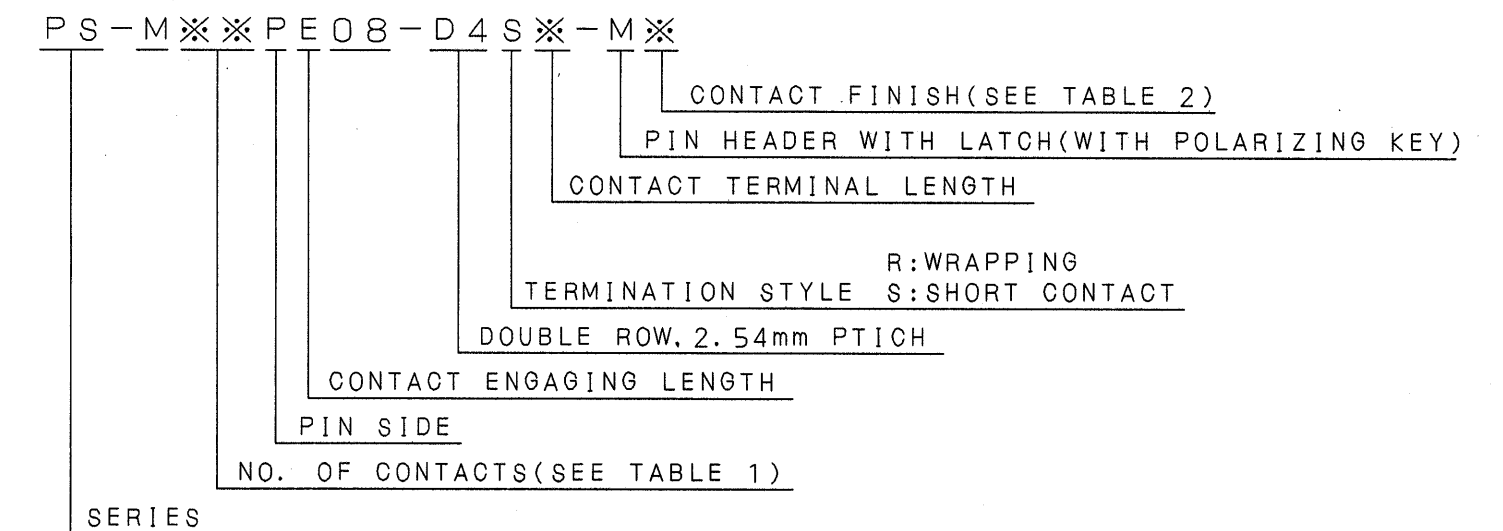
TABLE 3. APPLICABLE P.C.B REQUIREMENT

P.C.B. THICKNESS	t2.4 (STANDARD)
P.C.B. MATERIAL	GLASS CLOTH FILLED EPOXY MULTILAYER(STANDARD)
T APPLICABLE THROUGH HOLE DIAMETER	φ0.92~φ1.09 (RECOMMENDED φ0.97~φ1.04)
H THROUGH HOLE FINISH	PLATING COPPER
O THROUGH HOLE THICKNESS	40±20μm
L PLATED	
E DRILL DIAMETER	φ1.10~φ1.08



SECTION B-B (SCALE 50/1)

IDENTIFICATION



- NOTE 1. THE POLARIZING GROOVE IS NON-EXISTENT ON THE 10 POSITION CONNECTOR.
- NOTE 2. THE POLARIZING FEATURE ON THIS END IS NON-EXISTENT ON THE 10 POSITION CONNECTOR.
- NOTE 3. CONTACT FINISH NUMBER AS INDICATED IN WHITE INK. (EXCEPT CONTACT FINISH NUMBER 1.)

DIMENSIONS ARE IN MILLIMETERS
TOLERANCES ON: (INCHES)

DIMENSION	TOLERANCE	ANGLES	TOLERANCE
. . .	±0.8	X°	±
.X .X	±0.4	X°X'	±
.XX .XX	±0.1	CONCENTRICITY	WITHIN T.L.M.
.XXX .XXX	±		

ITEM	DESCRIPTION	Q'TY	MATERIAL	FINISH	REMARKS
3	POST	SEE TABLE 1	CA725	SEE TABLE 2	
2	INSULATOR	1	GLASS FILLED PBT	NONE	LU94V-0 COLOR:BLACK
1	LEVER	2	GLASS FILLED NY	NONE	LU94V-0 COLOR:BLACK

REFERENCE DOCUMENT	DATE	SCALE	TITLE
	31. Mar. '95	1/1	PS-M※※PE-D4S1 -M※
	DRAWN J. ICHIYAMA		
	CHECKED Y. YAHIRO		
	APP'D		
	APP'D		

MATERIAL	TREATMENT	FINISH	SERIES
			PS

MATERIAL	FINISH	SERIES
		PS