

PMR 8000 series PoL Regulator
 Input 8 - 14 V, Output up to 40 A / 210 W

EN/LZT 146 411 R1B November 2009

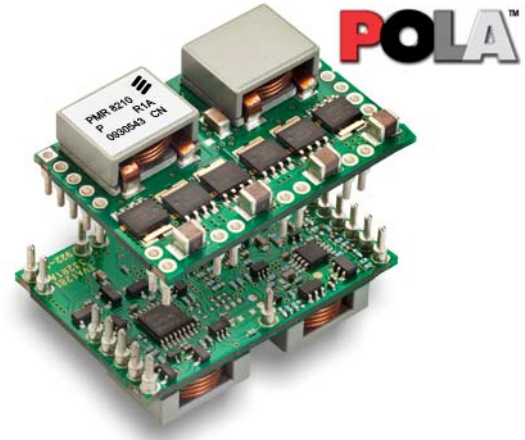
© Ericsson AB

Key Features

- Industry standard POLA™ compatible
- 38.61 x 25.91 x 9.64 mm (1.52 x 1.02 x 0.38 in.)
- High efficiency, up to. 96%
- Auto Track™ sequencing pin
- Turbo Trans™ Technology for Ultra-Fast Transient
- Parallel Operation

General Characteristics

- Operating temperature: -40°C to 85°C
- Output over current protection (Non-latching, Auto-Reset)
- Output short-circuit protection
- Input under voltage protection
- Over temperature protection
- Wide output voltage adjust function
- ±1.5% total output voltage variation
- Remote sense
- On/Off inhibit control
- Start up into a pre-biased output
- Highly automated manufacturing ensures quality
- ISO 9001/14001 certified supplier



Safety Approvals



E210157

Design for Environment



Meets requirements in high-temperature lead-free soldering processes.

Contents

Ordering Information	2
General Information	2
Safety Specification	2
Absolute Maximum Ratings	4
Electrical Specification		
3.3V, 40A / 132W	PMR 8210 P	5
5V, 40A / 200W	PMR 8210 P	7
EMC Specification	9
Operating Information	9
Thermal Consideration	14
Connections	14
Mechanical Information	17
Soldering Information	19
Delivery Information	19
Product Qualification Specification	21

PMR 8000 series PoL Regulator
Input 8 - 14 V, Output up to 40 A / 210 W

EN/LZT 146 411 R1B November 2009

© Ericsson AB

Ordering Information

Product program	Output
PMR 8210	3-5.25 V, 40 A / 210 W

Product number and Packaging

PMR 8210 n ₁ n ₂		
Options	n ₁	n ₂
Mounting	o	
Delivery package information		o

Options	Description
n ₁	P Through hole S Surface mount (SMD pin) SR SMD pin with lead-free surface
n ₂	/B Tray /C Tape and Reel

Example: a lead-free through hole pin, tray packaged product would be PMR 8210 P /B.

General Information

Reliability

The Mean Time Between Failure (MTBF) is calculated at full output power and an operating ambient temperature (T_A) of +40°C, which is a typical condition in Information and Communication Technology (ICT) equipment. Different methods could be used to calculate the predicted MTBF and failure rate which may give different results. Ericsson Power Modules currently uses Telcordia SR332.

Predicted MTBF for the series is:

- 1.5 million hours according to Telcordia SR332, issue 1, Black box technique.

Telcordia SR332 is a commonly used standard method intended for reliability calculations in ICT equipment. The parts count procedure used in this method was originally modelled on the methods from MIL-HDBK-217F, Reliability Predictions of Electronic Equipment. It assumes that no reliability data is available on the actual units and devices for which the predictions are to be made, i.e. all predictions are based on generic reliability parameters.

Compatibility with RoHS requirements

The products are compatible with the relevant clauses and requirements of the RoHS directive 2002/95/EC and have a maximum concentration value of 0.1% by weight in homogeneous materials for lead, mercury, hexavalent chromium, PBB and PBDE and of 0.01% by weight in homogeneous materials for cadmium.

Exemptions in the RoHS directive utilized in Ericsson Power Modules products include:

- Lead in high melting temperature type solder (used to

- solder the die in semiconductor packages)
- Lead in glass of electronics components and in electronic ceramic parts (e.g. fill material in chip resistors)
- Lead as an alloying element in copper alloy containing up to 4% lead by weight (used in connection pins made of Brass)

Quality Statement

The products are designed and manufactured in an industrial environment where quality systems and methods like ISO 9000, 6σ (sigma), and SPC are intensively in use to boost the continuous improvements strategy. Infant mortality or early failures in the products are screened out and they are subjected to an ATE-based final test. Conservative design rules, design reviews and product qualifications, plus the high competence of an engaged work force, contribute to the high quality of our products.

Warranty

Warranty period and conditions are defined in Ericsson Power Modules General Terms and Conditions of Sale.

Limitation of Liability

Ericsson Power Modules does not make any other warranties, expressed or implied including any warranty of merchantability or fitness for a particular purpose (including, but not limited to, use in life support applications, where malfunctions of product can cause injury to a person's health or life).

© Ericsson AB 2009

The information and specifications in this technical specification is believed to be correct at the time of publication. However, no liability is accepted for inaccuracies, printing errors or for any consequences thereof. Ericsson AB reserves the right to change the contents of this technical specification at any time without prior notice.

Safety Specification

General information

Ericsson Power Modules DC/DC converters and DC/DC regulators are designed in accordance with safety standards IEC/EN/UL60950, *Safety of Information Technology Equipment*.

IEC/EN/UL60950 contains requirements to prevent injury or damage due to the following hazards:

- Electrical shock
- Energy hazards
- Fire
- Mechanical and heat hazards
- Radiation hazards
- Chemical hazards

PMR 8000 series PoL Regulator
Input 8 - 14 V, Output up to 40 A / 210 W

EN/LZT 146 411 R1B November 2009

© Ericsson AB

On-board DC-DC converters and DC/DC regulators are defined as component power supplies. As components they cannot fully comply with the provisions of any Safety requirements without "Conditions of Acceptability". Clearance between conductors and between conductive parts of the component power supply and conductors on the board in the final product must meet the applicable Safety requirements. Certain conditions of acceptability apply for component power supplies with limited stand-off (see Mechanical Information for further information). It is the responsibility of the installer to ensure that the final product housing these components complies with the requirements of all applicable Safety standards and Directives for the final product.

Component power supplies for general use should comply with the requirements in IEC60950, EN60950 and UL60950 "Safety of information technology equipment". There are other more product related standards, e.g. IEEE802.3af "Ethernet LAN/MAN Data terminal equipment power", and ETS300132-2 "Power supply interface at the input to telecommunications equipment; part 2: DC", but all of these standards are based on IEC/EN/UL60950 with regards to safety.

Ericsson Power Modules DC/DC converters and DC/DC regulators are UL60950 recognized and certified in accordance with EN60950.

The flammability rating for all construction parts of the products meets requirements for V-0 class material according to IEC 60695-11-10.

The products should be installed in the end-use equipment, in accordance with the requirements of the ultimate application. Normally the output of the DC/DC converter is considered as SELV (Safety Extra Low Voltage) and the input source must be isolated by minimum Double or Reinforced Insulation from the primary circuit (AC mains) in accordance with IEC/EN/UL60950.

Isolated DC/DC converters

It is recommended that a slow blow fuse with a rating twice the maximum input current per selected product be used at the input of each DC/DC converter. If an input filter is used in the circuit the fuse should be placed in front of the input filter.

In the rare event of a component problem in the input filter or in the DC/DC converter that imposes a short circuit on the input source, this fuse will provide the following functions:

- Isolate the faulty DC/DC converter from the input power source so as not to affect the operation of other parts of the system.
- Protect the distribution wiring from excessive current and power loss thus preventing hazardous overheating.

The galvanic isolation is verified in an electric strength test. The test voltage (V_{iso}) between input and output is 1500 Vdc or 2250 Vdc for 60 seconds (refer to product specification). Leakage current is less than 1 μ A at nominal input voltage.

24 V DC systems

The input voltage to the DC/DC converter is SELV (Safety Extra Low Voltage) and the output remains SELV under normal and abnormal operating conditions.

48 and 60 V DC systems

If the input voltage to the DC/DC converter is 75 Vdc or less, then the output remains SELV (Safety Extra Low Voltage) under normal and abnormal operating conditions.

Single fault testing in the input power supply circuit should be performed with the DC/DC converter connected to demonstrate that the input voltage does not exceed 75 Vdc.

If the input power source circuit is a DC power system, the source may be treated as a TNV2 circuit and testing has demonstrated compliance with SELV limits and isolation requirements equivalent to Basic Insulation in accordance with IEC/EN/UL60950.

Non-isolated DC/DC regulators

The input voltage to the DC/DC regulator is SELV (Safety Extra Low Voltage) and the output remains SELV under normal and abnormal operating conditions.

PMR 8000 series PoL Regulator
 Input 8 - 14 V, Output up to 40 A / 210 W

EN/LZT 146 411 R1B November 2009

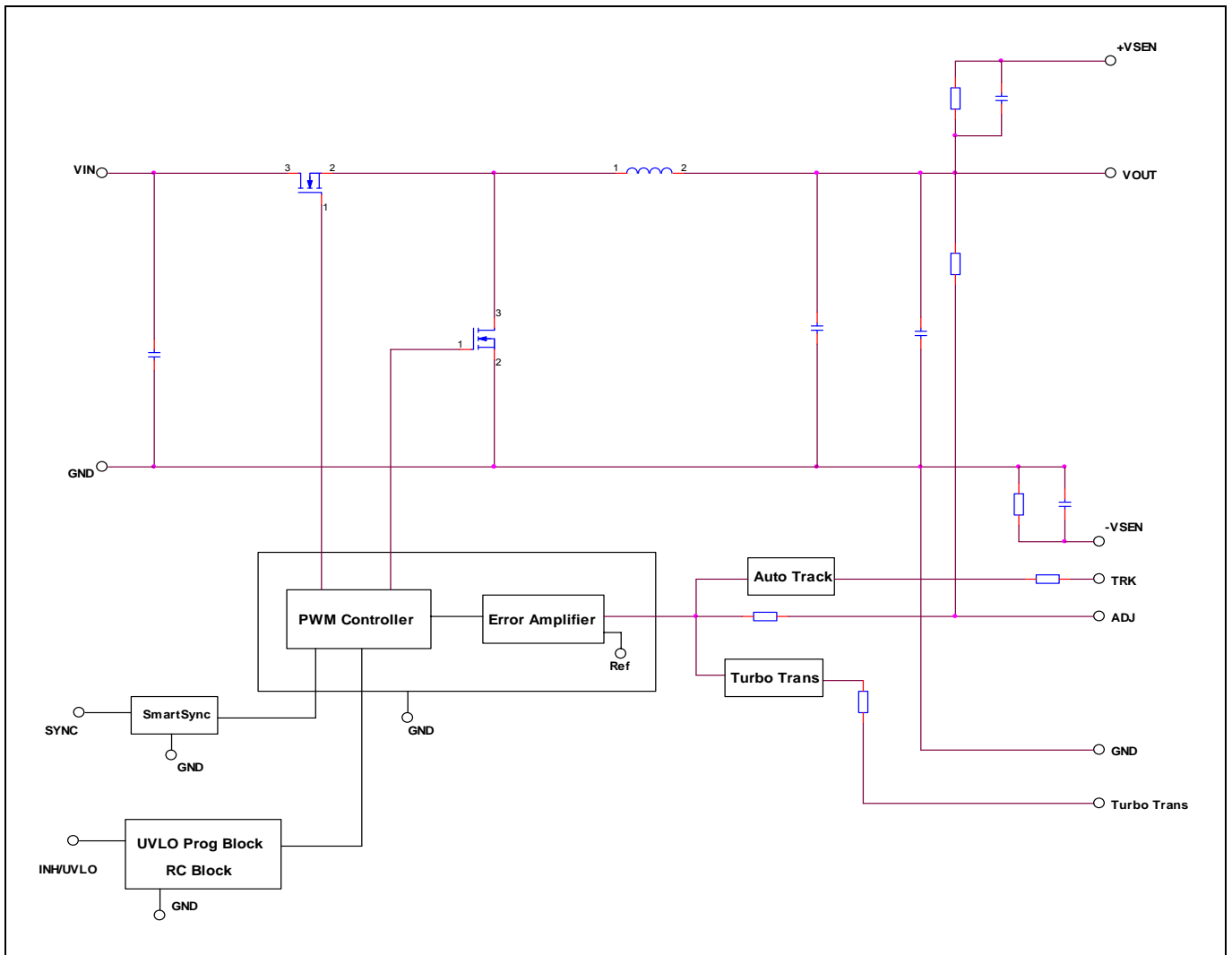
© Ericsson AB

Absolute Maximum Ratings

Characteristics		min	typ	max	Unit
T_{ref}	Operating Temperature (see Thermal Consideration section)	-40		85	°C
T_s	Storage temperature	-40		125	°C
V_I	Input voltage	8	12	14	V
V_{RC}	Remote Control pin voltage (see Operating Information section)	Positive logic option		Open	V
		Negative logic option	N/A	N/A	V
V_{adj}	Adjust pin voltage (see Operating Information section)	N/A		N/A	V

Stress in excess of Absolute Maximum Ratings may cause permanent damage. Absolute Maximum Ratings, sometimes referred to as no destruction limits, are normally tested with one parameter at a time exceeding the limits in the Electrical Specification. If exposed to stress above these limits, function and performance may degrade in an unspecified manner.

Fundamental Circuit Diagram



PMR 8000 series PoL Regulator
 Input 8 - 14 V, Output up to 40 A / 210 W

EN/LZT 146 411 R1B November 2009

© Ericsson AB

3.3V, 40A / 132W Electrical Specification
PMR 8210
 $T_{P1} = -40$ to $+85^{\circ}\text{C}$, $V_I = 8$ to 14 V, $R_{SET} = 34.0$ k Ω , unless otherwise specified under Conditions.

 Typical values given at: $T_{ref} = +25^{\circ}\text{C}$, $V_I = 12$ V, max I_O , unless otherwise specified under Conditions.

 Additional $C_{in} = 1000+22$ μF and $C_{out} = 1000$ μF . See Operating Information section for selection of capacitor types.

Connect the sense pin, where available, to the output pin.

Characteristics		Conditions	min	typ	max	Unit
V_I	Input voltage range		8		14	V
V_{loff}	Turn-off input voltage	Decreasing input voltage		6.7		V
V_{lon}	Turn-on input voltage	Increasing input voltage		7.2	8.0	V
C_I	Internal input capacitance			44		μF
P_O	Output power		0		132	W
η	Efficiency	50 % of max I_O		93.6		%
		max I_O		93.4		
P_d	Power Dissipation	max I_O		9.5	11.5	W
P_{li}	Input idling power	$I_O = 0$ A, $V_I = 12$ V		2.0		W
P_{RC}	Input standby power	$V_I = 12$ V (turned off with RC)		0.2		W
I_s	Static Input current	$V_I = 12$ V, max I_O		11.7		A
f_s	Switching frequency	0-100 % of max I_O , see Note 1		600		kHz
V_{oi}	Output voltage initial setting and accuracy	$T_{P1} = +25^{\circ}\text{C}$, $V_I = 12$ V, max I_O	3.267	3.300	3.333	V
V_O	Output voltage tolerance band	0-100 % of max I_O	3.25		3.35	V
	Idling voltage	$I_O = 0$ A	3.296		3.306	V
	Line regulation	max I_O		5	10	mV
	Load regulation	$V_I = 12$ V, 0-100 % of max I_O		5	10	mV
V_{tr}	Load transient voltage deviation	$V_I = 12$ V, Load step 50-100-50 % of max I_O , $di/dt = 2.5$ A/ μs Without TurboTrans, $C_{out} = 1000$ μF , Type C see Note 2		± 135		mV
t_{tr}	Load transient recovery time	See Note 2		200		μs
V_{tr}	Load transient voltage deviation	$V_I = 12$ V, Load step 50-100-50 % of max I_O , $di/dt = 2.5$ A/ μs With TurboTrans, $C_{out} = 5000$ μF , Type C, $R_{TT} = \text{SHORT}$, see Note 2		± 35		mV
t_{tr}	Load transient recovery time	See Note 2		400		μs
t_s	Start-up time (from V_I connection to 90 % of V_{oi})			13.2		ms
t_f	V_I shut-down fall time. (From V_I off to 10 % of V_O)	max I_O		740		μs
		$I_O = 0.4$ A		50.9		ms
$\{t_{RC} t_{inh}\}$	RC start-up time	max I_O		12.5		ms
	RC shut-down fall time (From RC off to 10 % of V_O)	max I_O		310		μs
		$I_O = 0.4$ A		24.5		ms
I_O	Output current		0		40	A
I_{lim}	Current limit threshold	$T_{P1} < \text{max } T_{P1}$		80		A
I_{sc}	Short circuit current	$T_{P1} = 25^{\circ}\text{C}$, see Note 3		92		A
C_{out}	Recommended Capacitive Load	$T_{P1} = 25^{\circ}\text{C}$, see Note 4	1000		10000	μF
V_{Oac}	Output ripple & noise	See ripple & noise section, max I_O		20		mVp-p

Note 1: Frequency may be adjusted with SmartSync pin. See Operating Information section

Note 2: See Operating Information section for TurboTrans technology

Note 3: Describe short circuit current characteristic, i.e. fold-back, hiccup or RMS, in one short sentence or type only "See Operating Information section."

 Note 4: 1000 μF of external non-ceramic output capacitance is required for basic operation. Adding additional capacitance at the load further improves transient response. Up to 1000 μF of ceramic capacitance may be added in addition to the required non-ceramic capacitance. When not using TurboTrans technology, 8000 μF capacitance is allowed; When using TurboTrans technology, up to 10000 μF capacitance is allowed. For more information, see Operating Information Section.

PMR 8000 series PoL Regulator
 Input 8 - 14 V, Output up to 40 A / 210 W

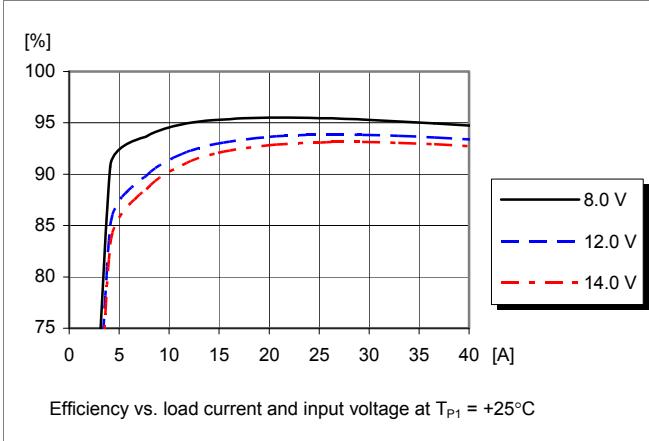
EN/LZT 146 411 R1B November 2009

© Ericsson AB

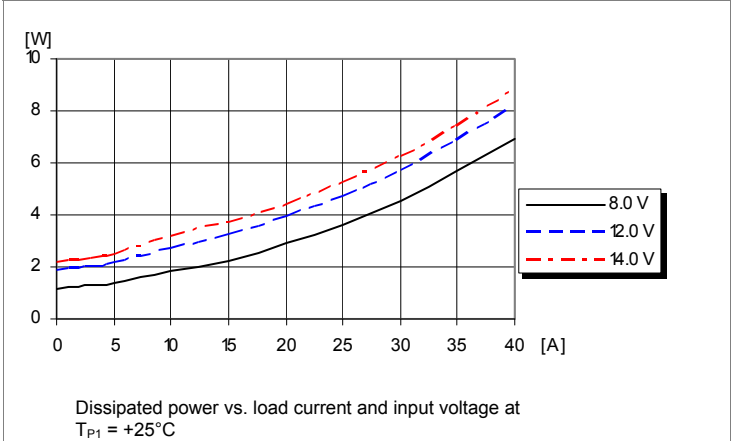
3.3V, 40A /132W Typical Characteristics

PMR 8210

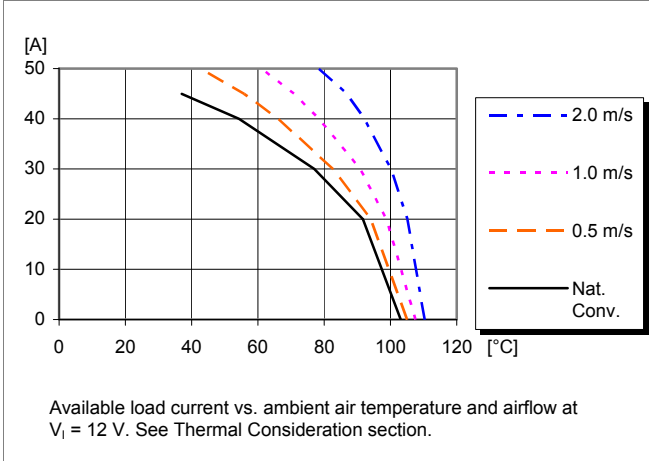
Efficiency



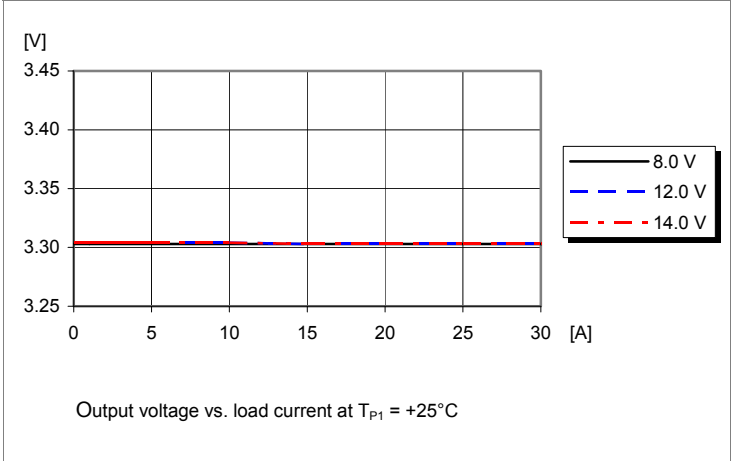
Power Dissipation



Output Current Derating



Output Characteristics



Output Ripple & Noise



Output Voltage Adjust (see operating information)

Passive adjust

The resistor value for an adjusted output voltage is calculated by using the equations in the operating information.

$$R_{SET} = \frac{0.7}{\frac{V_O - 0.7}{30.1} - \frac{0.7}{10}} - 8.25 \text{ (k}\Omega\text{)}$$

PMR 8000 series PoL Regulator
 Input 8 - 14 V, Output up to 40 A / 210 W

EN/LZT 146 411 R1B November 2009

© Ericsson AB

5V, 40A / 200W Electrical Specification
PMR 8210
 $T_{P1} = -40$ to $+85^{\circ}\text{C}$, $V_I = 8$ to 14 V, $R_{SET} = 1.37$ k Ω , unless otherwise specified under Conditions.

 Typical values given at: $T_{ref} = +25^{\circ}\text{C}$, $V_I = 12$ V, max I_O , unless otherwise specified under Conditions.

 Additional $C_{in} = 1000+22$ μF and $C_{out} = 1000$ μF . See Operating Information section for selection of capacitor types.

Connect the sense pin, where available, to the output pin.

Characteristics		Conditions	min	typ	max	Unit
V_I	Input voltage range		8		14	V
V_{loff}	Turn-off input voltage	Decreasing input voltage		6.7		V
V_{lon}	Turn-on input voltage	Increasing input voltage		7.2	8.0	V
C_I	Internal input capacitance			44		μF
P_O	Output power		0		200	W
η	Efficiency	50 % of max I_O		95.6		%
		max I_O		95.5		
P_d	Power Dissipation	max I_O		9.5	11.5	W
P_{li}	Input idling power	$I_O = 0$ A, $V_I = 12$ V		2.4		W
P_{RC}	Input standby power	$V_I = 12$ V (turned off with RC)		0.2		W
I_s	Static Input current	$V_I = 12$ V, max I_O		17.4		A
f_s	Switching frequency	0-100 % of max I_O , see Note 1		600		kHz
V_{oi}	Output voltage initial setting and accuracy	$T_{P1} = +25^{\circ}\text{C}$, $V_I = 12$ V, max I_O	4.950	5.0	5.050	V
V_O	Output voltage tolerance band	0-100 % of max I_O	4.85		5.15	V
	Idling voltage	$I_O = 0$ A	4.998		5.008	V
	Line regulation	max I_O		5	10	mV
	Load regulation	$V_I = 12$ V, 0-100 % of max I_O		5	10	mV
V_{tr}	Load transient voltage deviation	$V_I = 12$ V, Load step 50-100-50 % of max I_O , $di/dt = 2.5$ A/ μs Without TurboTrans, $C_{out} = 1000$ μF , Type C		± 135		mV
t_{tr}	Load transient recovery time			200		μs
V_{tr}	Load transient voltage deviation	$V_I = 12$ V, Load step 50-100-50 % of max I_O , $di/dt = 2.5$ A/ μs With TurboTrans, $C_{out} = 5000$ μF , Type C, $R_{TT} = \text{SHORT}$		± 35		mV
t_{tr}	Load transient recovery time			400		μs
t_s	Start-up time (from V_I connection to 90 % of V_{oi})			13.1		ms
t_f	V_I shut-down fall time. (From V_I off to 10 % of V_O)	max I_O		630		μs
		$I_O = 0.4$ A		51.8		ms
{ t_{RC} t_{inh} }	RC start-up time	max I_O		12.6		ms
	RC shut-down fall time (From RC off to 10 % of V_O)	max I_O		425		μs
		$I_O = 0.4$ A		35.2		ms
I_O	Output current		0		40	A
I_{lim}	Current limit threshold	$T_{P1} < \text{max } T_{P1}$		80		A
I_{sc}	Short circuit current	$T_{P1} = 25^{\circ}\text{C}$, {see Note 3}		90		A
C_{out}	Recommended Capacitive Load	$T_{P1} = 25^{\circ}\text{C}$, {see Note 4}	1000		10000	μF
V_{Oac}	Output ripple & noise	See ripple & noise section, max I_O		20		mVp-p

Note 1: Frequency may be adjusted with SmartSync pin. See Operating Information section

Note 2: See Operating Information section for TurboTrans technology

Note 3: Describe short circuit current characteristic, i.e. fold-back, hiccup or RMS, in one short sentence or type only "See Operating Information section.")

 Note 4: 1000 μF of external non-ceramic output capacitance is required for basic operation. Adding additional capacitance at the load further improves transient response. Up to 1000 μF of ceramic capacitance may be added in addition to the required non-ceramic capacitance. When not using TurboTrans technology, 8000 μF capacitance is allowed; When using TurboTrans technology, up to 10000 μF capacitance is allowed. For more information, see Operating Information Section.

PMR 8000 series PoL Regulator
 Input 8 - 14 V, Output up to 40 A / 210 W

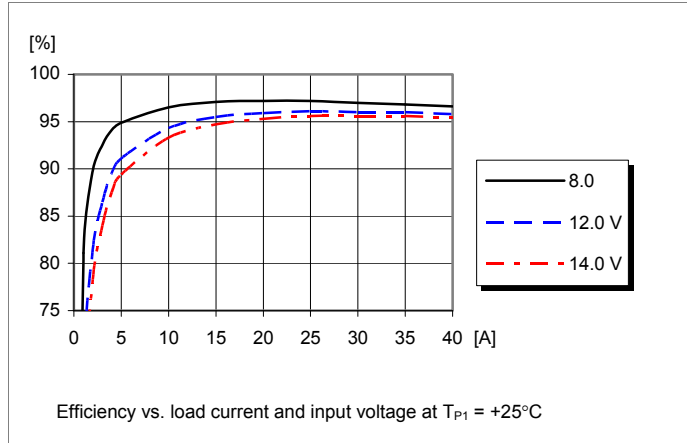
EN/LZT 146 411 R1B November 2009

© Ericsson AB

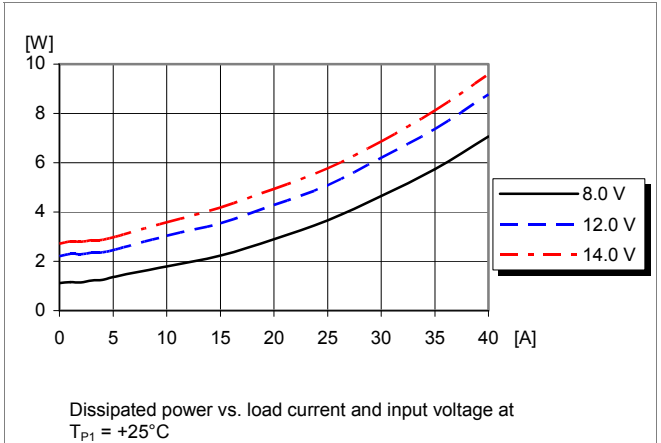
5V, 40A /200W Typical Characteristics

PMR 8210

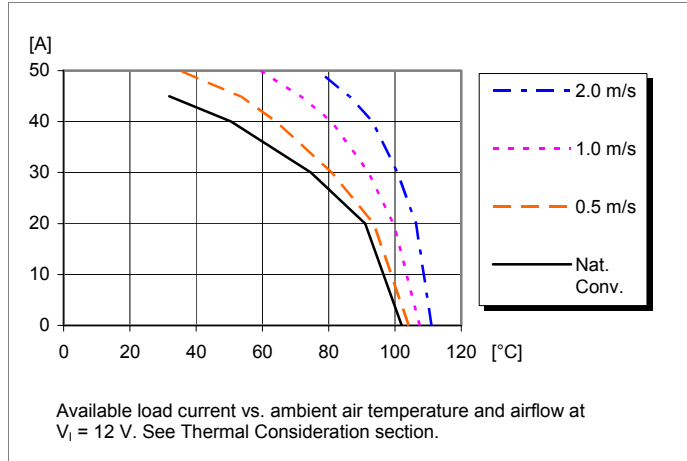
Efficiency



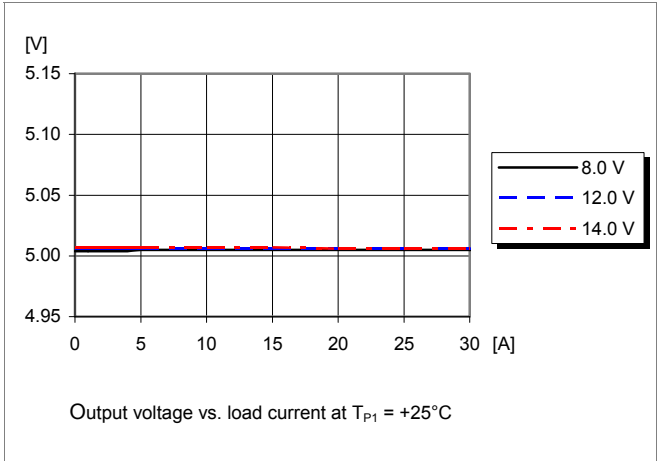
Power Dissipation



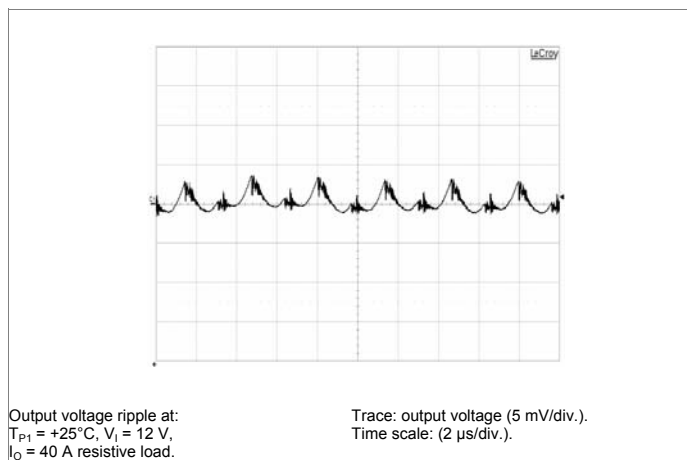
Output Current Derating



Output Characteristics



Output Ripple & Noise



Output Voltage Adjust (see operating information)

Passive adjust

The resistor value for an adjusted output voltage is calculated by using the equations in the operating information.

$$R_{SET} = \frac{0.7}{\frac{V_O - 0.7}{30.1} - \frac{0.7}{10}} - 8.25 \text{ (k}\Omega\text{)}$$

PMR 8000 series PoL Regulator
 Input 8 - 14 V, Output up to 40 A / 210 W

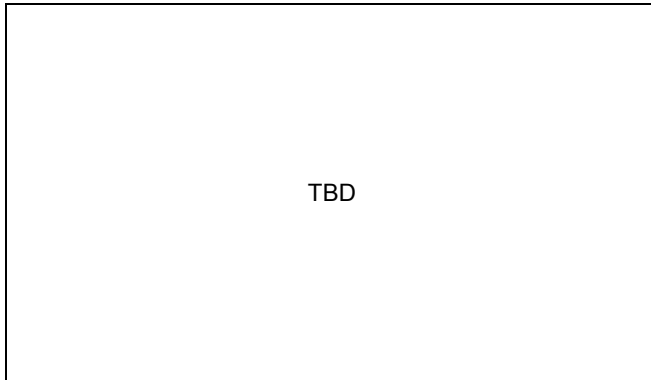
EN/LZT 146 411 R1B November 2009

© Ericsson AB

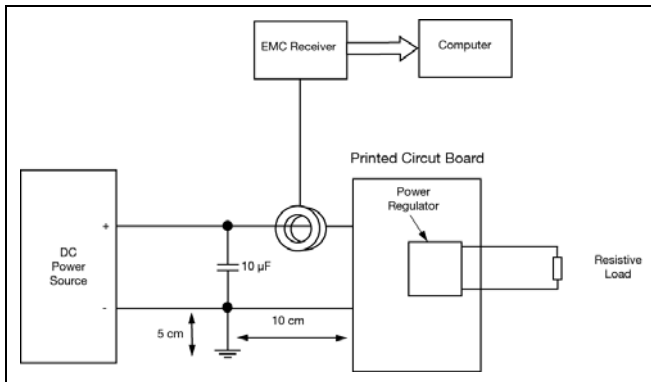
EMC Specification

Conducted EMI measured according to test set-up. The fundamental switching frequency is 600 kHz for PMR 8210 @ $V_1 = 12\text{ V}$, max I_O .

Conducted EMI Input terminal value (typ)



EMI without filter



Test set-up

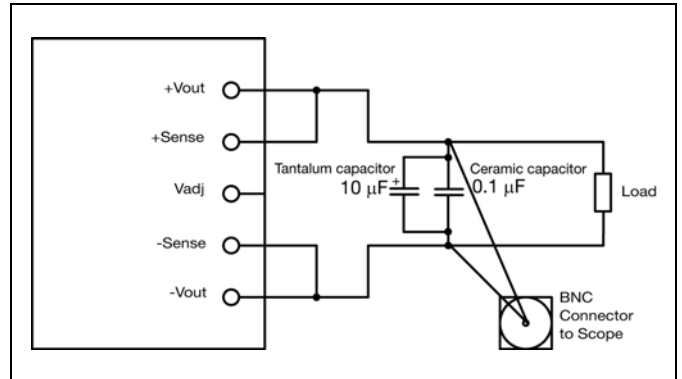
Layout recommendations

The radiated EMI performance of the product will depend on the PCB layout and ground layer design. It is also important to consider the stand-off of the product. If a ground layer is used, it should be connected to the output of the product and the equipment ground or chassis.

A ground layer will increase the stray capacitance in the PCB and improve the high frequency EMC performance.

Output ripple and noise

Output ripple and noise measured according to figure below. See Design Note 022 for detailed information.



Output ripple and noise test setup

Operating information

Extended information for POLA products is found in Application Note 205.

Input Voltage

The input voltage range 8 to 14 Vdc makes the product easy to use in intermediate bus applications when powered by a non-regulated bus converter or a regulated bus converter.

Turn-off Input Voltage

The products monitor the input voltage and will turn on and turn off at predetermined levels. The typical hysteresis between turn on and turn off input voltage is 0.5V.

Turn on/off voltage can be adjusted by using UVLO (Undervoltage lockout) function. The UVLO character is defined by the ON threshold (V_{THD}) voltage. Below the ON threshold, the Inhibit control is overridden, and the module does not produce an output.

The UVLO feature allows for limited adjustment of the ON threshold voltage. It is made by using a single resistor between the Inhibit/UVLO pin (pin 21) and ground pins (pin 8,9,12,13). The V_{THD} value can be adjusted from 8.0V to 11V. Default value of V_{THD} is 7.2V.

Below equation determines the value of resistor required to adjust V_{THD} to a new value.

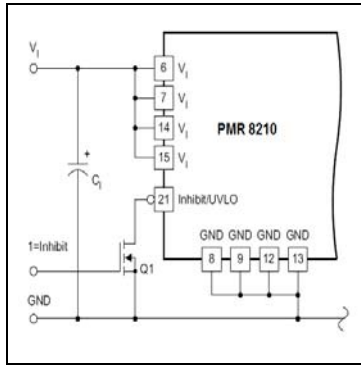
$$R_{UVLO} = \frac{250}{V_{THD} - 7.3} \text{ (k}\Omega\text{)}$$

PMR 8000 series PoL Regulator
 Input 8 - 14 V, Output up to 40 A / 210 W

EN/LZT 146 411 R1B November 2009

© Ericsson AB

Inhibit Control



The products are fitted with a remote control function by using the Inhibit/UVLO pin. The Inhibit control function allows the product to be turned on/off by an external device like a semiconductor or mechanical switch. The RC pin has an internal pull up. An external pull-up resistor should never be used with the inhibit pin.

When the Inhibit pin is left open, the regulator will turn on when the input voltage is applied. Turn off is achieved by connecting the Inhibit pin to the GND.

The reference figure above shows the typical application of the inhibit function. The input is not compatible with TTL logic device. An open-collector (or open-drain) discrete transistor is recommended for control. Turning the discrete transistor on applies a low voltage to the Inhibit control pin and disables the output of the module. If this device is then turned off, the module executes a soft-start power-up sequence. A regulated output voltage is produced within 20 ms.

External Decoupling Capacitors

Input capacitors:

The PMR 8210 requires a minimum input capacitance of e 1000 µF. The ripple current rating of the input capacitor must be at least 750 mA rms. An optional 22 µF X5R/X7R ceramic capacitor is recommended to reduce RMS ripple current.

The size and value of the input capacitor is determined by the converter's transient performance capability. This minimum value assumes that the converter is supplied with a responsive, low inductance input source. This source should have ample capacitive decoupling, and be distributed to the converter via PCB power and ground planes.

Ceramic capacitors should be located as close as possible to the module's input pins, within 0.5 inch (1,3 cm). Adding ceramic capacitance is necessary to reduce the high-frequency ripple voltage at the module's input. This reduces the magnitude of the ripple current through the electrolytic capacitor, as well as the amount of ripple current reflected back to the input source. Additional ceramic capacitors can be added to further reduce the RMS ripple current requirement for the electrolytic capacitor.

The main considerations when selecting input capacitors are the RMS ripple current rating, temperature stability, and less than 100 mΩ of equivalent series resistance (ESR).

Regular tantalum capacitors are not recommended for the input bus. These capacitors require a recommended

minimum voltage rating of 2× (maximum dc voltage + ac ripple). This is standard practice to ensure reliability. No tantalum capacitors were found with a sufficient voltage rating to meet this requirement.

Output capacitors:

The PMR 8210 module requires a minimum output capacitance of 1000µF of polymer-aluminum, tantalum, or polymer-tantalum type.

The required capacitance above the minimum is determined by actual transient deviation requirements. See "TurboTrans Technology" information below.

For both input and output capacitors, when the operating temperature is below 0°C, the ESR of aluminium electrolytic capacitors increases. For these applications, OS-CON, poly-aluminium, and polymer-tantalum types should be considered.

If the TurboTrans feature is not used, minimum ESR and maximum capacitor limits must be followed. System stability may be effected and increased output capacitance may be required without TurboTrans.

When using the PMR 8210, observe the minimum ESR of the entire output capacitor bank. The minimum ESR limit of the output capacitor bank is 7mΩ.

When using PMR 8210 without the TurboTrans feature, the maximum amount of capacitance is 1000 µF of ceramic type. Large amounts of capacitance may reduce system stability.

Utilizing the TurboTrans feature improves system stability, improves transient response, and reduces the amount of output capacitance required to meet system transient design requirements. For detaile information, see "TurboTrans Technology" information below.

Output Voltage Adjust (V_{adj})

The product has an Output Voltage Adjust function. The function can be used to adjust the output voltage in the range from 3.0V to 5.25V.

The Vo Adjust control sets the output voltage of the PMR 8210. The adjustment method requires the addition of a single external resistor, R_{SET}, that must be connected directly between pins Vo Adjust (pin 18) and AGND (pin 4). The value of the required resistor can be calculated using the following formula.

$$R_{SET} = \frac{0.7}{\frac{V_O - 0.7}{30.1} - \frac{0.7}{10}} - 8.25(\text{k}\Omega)$$

Note:

(1) R_{SET} : Use a 0.05 W resistor with a tolerance of 1% and temperature stability of 100 ppm/°C (or better). Connect the

PMR 8000 series PoL Regulator
 Input 8 - 14 V, Output up to 40 A / 210 W

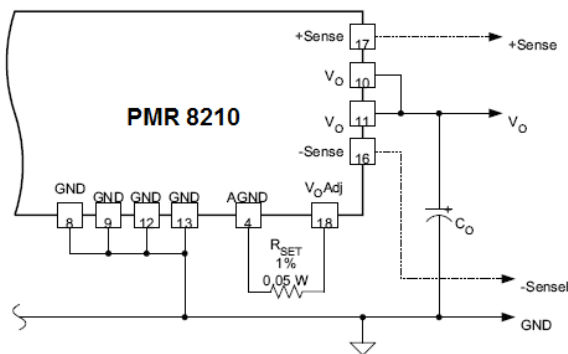
EN/LZT 146 411 R1B November 2009

© Ericsson AB

resistor directly between pins 18 and 4, as close to the regulator as possible, using dedicated PCB traces.

(2) Never connect capacitors from Vo Adjust to either + Sense, GND, or Vo. Any capacitance added to the Vo Adjust pin affects the stability of the regulator.

(3) For output voltages less than 1.2 V, the output ripple may increase (up to 2x) when operating at input voltages greater than (Vo x 12). Adjusting the switching frequency using the SmartSync feature may increase or decrease this ratio.



Parallel Operation

The PMR 8210 module is capable of being configured in parallel with another PMR 8210 module to share load current. To parallel the two modules, it is necessary to configure one module as the Master and one module as the Slave. To configure a module as the Master, connect the CONFIG pin (pin 1) to GND. The CONFIG pin of the Slave must be connected to V_I. In order to share current, pins 2 through 5 of both the Master and Slave must be connected between the two modules. The module that is configured as the MASTER is used to control all of the functions of the two modules including Inhibit, ON/OFF control, AutoTrack sequencing, TurboTrans, SmartSync, +/- Remote Sense, and Output Voltage Adjust.

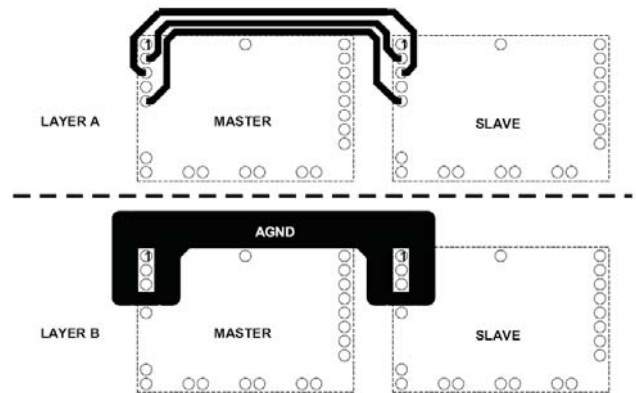
The MASTER and the SLAVE must be powered from the same input voltage supply.

When using TurboTrans while paralleling two modules, the TurboTrans resistor, R_{TT}, must be connected from the TurboTrans pin (pin 19) of the Master module to the +Sense pin (pin 17) of the Master module. When paralleling modules the procedure to calculate the proper value of output capacitance and R_{TT} is similar to that explained in the TurboTrans Selection section, however the values must be calculated for a single module. Therefore, the total output current load step must be halved before determining the required output capacitance and the R_{TT} value as explained in the TurboTrans Selection section. The value of output capacitance calculated is the minimum required output capacitance per module and the value of R_{TT} must be calculated using this value of output capacitance. The

TurboTrans pin of the Slave module must be left open.

Current sharing layout

In current sharing applications the V_I pins of both modules must be connected to the same input bus. The V_O pins of both modules are connected together to power the load. The GND pins of both modules are connected via the GND plane. Four other inter-connection pins are connected between the modules. Below figure shows the required layout of the inter-connection pins for two modules configured to share current. Notice that the Share (pin 2) connection is routed between the Comp (pin 3) and CLKIO (pin 5) connections. AGND (pin 4) should be connected as a thicker trace on an adjacent layer, running parallel to pins 2, 3 and 5. AGND must not be connected to the GND plane.



Remote Sense

The products have remote sense that can be used to compensate for voltage drops between the output and the point of load. The sense traces should be located close to the PCB ground layer to reduce noise susceptibility. The remote sense circuitry will compensate for up to 0.3 voltage drop between output pins and the point of load. If the remote sense is not needed +Sense should be connected to +Out and -Sense should be connected to -Out.

Over Temperature Protection (OTP)

The regulators are protected from thermal overload by an internal over temperature shutdown circuit. If the internal temperature exceeds the OTP threshold, the module's inhibit control is internally pulled low. This turns the output off. The voltage drops as the external output capacitors are discharged by the load circuit. The product will make continuous attempts to start up (non-latching mode) and resume normal operation automatically when the temperature has dropped >10°C below the temperature threshold.

PMR 8000 series PoL Regulator Input 8 - 14 V, Output up to 40 A / 210 W	EN/LZT 146 411 R1B November 2009
	© Ericsson AB

Over Current Protection (OCP)

The regulators include current limiting circuitry for protection at continuous overload. The output voltage will decrease towards zero for output currents in excess of max output current (max I_O). The regulator will resume normal operation after removal of the overload. The load distribution should be designed for the maximum output short circuit current specified.

Soft-start Power Up

From the moment a valid input voltage is applied, the soft-start control introduces a short time-delay (typically 5-15 ms) before allowing the output voltage to rise. The initial rise in input current when the input voltage first starts to rise is the charge current drawn by the input capacitors.

Auto-Track™ Function

Auto-Track was designed to simplify the amount of circuitry required to make the output voltage from each unit power up and power down in sequence. The sequencing of two or more supply voltages during power up is a common requirement for complex mixed-signal applications, that use dual-voltage VLSI lcs such as DSPs, micro-processors and ASICs.

Notes on Use of Auto-Track™

1. The Track pin voltage must be allowed to rise above the module set-point voltage before the module regulates at its adjusted set-point voltage.
2. The Auto-Track function tracks almost any voltage ramp during power up, and is compatible with ramp speeds of up to 1 V/ms.
3. The absolute maximum voltage that may be applied to the Track pin is the input voltage V_I .
4. The module cannot follow a voltage at its track control input until it has completed its soft-start initialization. This takes about 20 ms from the time that a valid voltage has been applied to its input. During this period, it is recommended that the Track pin be held at ground potential.
5. The Auto-Track function is disabled by connecting the Track pin to the input voltage (V_I). When Auto-Track is disabled, the output voltage rises according to its softstart rate after input power has been applied.
6. The Auto-Track pin should never be used to regulate the module's output voltage for long-term, steady-state operation.

Smart Sync

Smart Sync is a feature that allows multiple power modules to be synchronized to a common frequency. When not used, this pin must be connect to GND. Driving the Smart Sync pins with an external oscillator set to the desired frequency, synchronizes all connected modules to the selected requery. The synchronization frequency can be higher or lower than the nominal switching frequency of the modules within the range of 240 kHz to 400 kHz.

Synchronizing modules powered from the same bus eliminates beat frequencies reflected back to the input supply, and also reduces EMI filtering requirements. Eliminating the

low beat frequencies (usually <10kHz) allows the EMI filter to be designed to attenuate only the synchronization frequency. Power modules can also be synchronized out of phase to minimize ripple current and reduce input capacitance requirements.

The PMR 8210 requires that the external synchronization frequency be present before a valid input voltage is present or before release of the inhibit control.

Pre-Bias Startup Capability

A prebias startup condition occurs as a result of an external voltage being present at the output of a power module prior to its output becoming active. This often occurs in complex digital systems when current from another power source is backfed through a dual-supply logic component, such as FPGA or ASIC.

The PMR family of regulators incorporate synchronous rectifiers, but will not sink current during startup, or whenever the Inhibit pin is held low. However, to ensure satisfactory operation of this function, certain conditions must be maintained.

For more inforamtion, please refer to Application Note 205.

Turbo Trans™ Technology

Turbo Trans™ optimizes the transient response of the regulator with added external capacitance using a single external resistor. The benefits of this technology include: reduced output capacitance, minimized output voltage deviation following a load transient, and enhanced stability when using ultra-low ESR output capacitors. The amount of output capacitance required to meet a target output voltage deviation, is reduded with Turbo Trans™ activated. Likewise, for a given amount of output capacitance, with Turbo Trans™ engaged, the amplitude of the voltage deviation following a load transient is reduced. Applications requiring tight transient voltage tolerances and minimized capacitor footprint area benefit from this technology.

Utilizing Turbo Trans™ requires connecting a resistor, R_{TT} , between the +Sense pin (pin 17) and the Turbo Trans™ pin (pin 19), The value of the resistor directly corresponds to the amount of output capacitance required. For the PMR 8210, the minimum required capacitance is 1000 μ F. When using Turbo Trans™, capacitors with a capacitance \times ESR product below 10,000 μ F \times m Ω are required.

To have a better understanding of the required capacitors with Turbo Trans™, three types of capacitors are defined as below.

- a. TypeA = (100 < capacitance \times ESR \leq 1,000)
- b. TypeB = (1,000 < capacitance \times ESR \leq 5,000)
- c. TypeC = (5,000 < capacitance \times ESR \leq 10,000)

As an example, let's look at a 12-V application requiring a 80 mv deviation during an 20A load transient. A majority of 560 μ F, 10m Ω output capacitors are used. Use the 12 V, Type

PMR 8000 series PoL Regulator
 Input 8 - 14 V, Output up to 40 A / 210 W

EN/LZT 146 411 R1B November 2009
 © Ericsson AB

C capacitor chart. Dividing 80mV by 20A gives 4mV/A transient voltage deviation per amp of transient load setp. Select 4mV/A on the Y-axis and read across to the "With TurboTrans" plot. Following this point down to the X-axis gives us a minimum required output capacitance of approximately 1700µF. The required R_{TT} resistor value for 1700µF can then be calculated or selected from the below table. The required R_{TT} resistor is approximately 31.6KΩ.

To see the benefit of Turbo Trans™, follow the 4mV/A marking across to the "Without TurboTrans" plot. Following that point down shows that you would need a minimum of 5500µF of output capacitance to meet the same transient deviation limit. This is the benefit of Turbo Trans™.

A typical Turbo Trans™ application schematic is also shown.

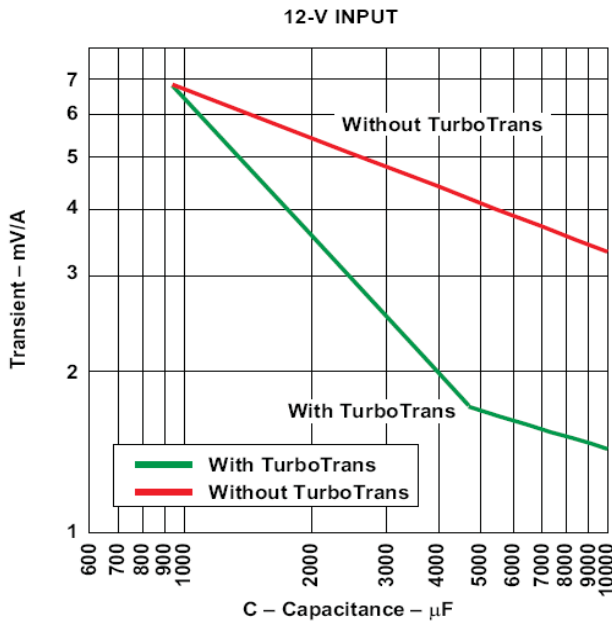


Figure 7. Capacitor Type B,
 1000 < C(µF)×ESR(mΩ) ≤ 5000 (e.g. Polymer-Tantalum)

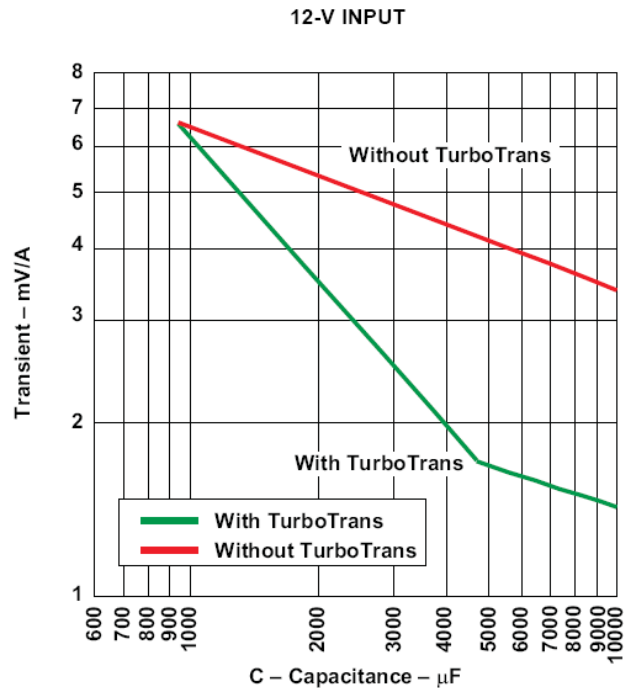


Figure 8. Capacitor Type C,
 5000 < C(µF)×ESR(mΩ) ≤ 10,000(e.g. OS-CON)

R_{TT} Resistor Selection

The Turbo Trans™ resistor value, R_{TT} can be determined from the Turbo Trans™ programming equation, see the equation below.

$$R_{TT} = 40 \times \frac{1 - \left(\frac{C_o}{4700}\right)}{5 \times \left(\frac{C_o}{4700}\right) - 1} \text{ (k } \Omega \text{)}$$

Where C_o is the total output capacitance in µF. C_o values greater than or equal to 4700 µF require R_{TT} to be a short, 0Ω. (The above equation results in a negative value for R_{TT} when C_o ≥ 4700 µF)

PMR 8000 series PoL Regulator
 Input 8 - 14 V, Output up to 40 A / 210 W

EN/LZT 146 411 R1B November 2009
 © Ericsson AB

Thermal Consideration

General

The regulators are designed to operate in different thermal environments and sufficient cooling must be provided to ensure reliable operation. Cooling is achieved mainly by conduction, from the pins to the host board, and convection, which is dependant on the airflow across the regulator. Increased airflow enhances the cooling of the regulator.

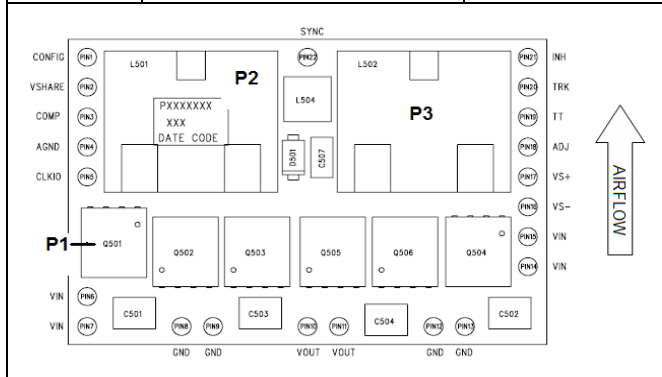
The typical Output Current Derating graph can be found in the Output section for each model provides the available output current vs. ambient air temperature and air velocity at $V_i = 12$ V.

The product is tested on a 100 x 100 mm double-sided PCB with 2 oz. copper and the direction of airflow fro pin 10 to pin 22. For surface mount packages, multiple vias must be utilized.

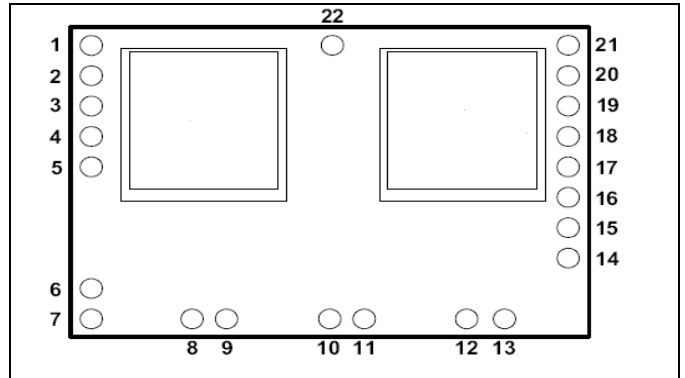
Definition of product operating temperature

The product operating temperatures is used to monitor the temperature of the product, and proper thermal conditions can be verified by measuring the temperature at positions P1, P2, and P3. The temperature at these positions (T_{P1} , T_{P2} , T_{P3} ,) should not exceed the maximum temperatures in the table below. The number of measurement points may vary with different thermal design and topology. Temperatures above maximum T_{P1} , measured at the reference point P1 are not allowed and may cause permanent damage.

Position	Description	Max Temp.
P1	Reference point (Q501)	$T_{P1}=130^{\circ}$ C
P2	Inductor (L501)	$T_{P2}=130^{\circ}$ C
P3	Inductor (L502)	$T_{P3}=130^{\circ}$ C



Connections



Pin	Designation	Function
1	CONFIG	When two modules are connected together to share load current one must be configured as the MASTER and the other as the SLAVE. This pin is used to configure the module as either MASTER or SLAVE. To configure the module as the MASTER, connect this pin to GND. To condigure the module as the SLAVE, connect this pin to V_i (pin 6). When not sharing current, this pin should be connected to GND.
2	Share	This pin is used when connecting two modules together to share load current. When two modules are sharing the current the Share pin of both modules must be connected together. When not sharing current, this pin MUST be left open (floating).
3	Comp	This pin is used when connecting two modules together to share load current. When two modules are sharing current the Comp pin of bothe modules must be connected together. When not sharing current, this pin MUST be left open (floating).

PMR 8000 series PoL Regulator
 Input 8 - 14 V, Output up to 40 A / 210 W

EN/LZT 146 411 R1B November 2009

© Ericsson AB

4	AGND	This pin is the internal analog ground of the module. This pin provides the return path for the V_o Adjust resistor (R_{SET}). When two modules are sharing current the AGND pin of both modules must be connected together. Also, when two modules are connected, R_{SET} must be connected only on the MASTER module.	17	+Sense	The sense input allows the regulation circuit to compensate for voltage drop between the module and the load. The +Sense pin should always be connected to V_o , either at the load for optimal voltage accuracy, or at the module (pin 11).
5	CLKIO	This pin is used when connecting two modules together to share load current. When two modules are sharing current the CLKIO pin of both modules must be connected together. When not sharing current, this pin MUST be left open (floating).	18	V_o Adjust	A 0.05 W 1% resistor must be directly connected between this pin and pin4 (AGND) to set the output voltage to a value higher than 0.7 V. The temperature stability of the resistor should be 100 ppm/°C (or better). The setpoint range for the output voltage is from 0.7V to 3.6V. If left open circuit, the output voltage defaults to its lowest value. For further information, refer to the information for each output voltage sector.
6	V_I	The positive input voltage power node to the module, which is referenced to common GND.	19	Turbo Trans™	This input pin adjusts the transient response of the regulator. To activate the Turbo Trans™ feature, a 1%, 50mW resistor must be connected between this pin and pin 17 (+Sense) very close to the module. For a given value of output capacitance, a reduction in peak output voltage deviation is achieved by using this feature. If unused, this pin must be left open-circuit. External capacitance must never be connected to this pin. The resistance requirement can be selected from the Turbo Trans™ resistor table which is shown above.
7	V_I	See pin 6			
8	GND	This is the common ground connection for the V_I and V_o power connections. It is also the 0 V_{dc} reference for the control inputs.			
9	GND	See pin 8			
10	V_o	This regulated positive power output with respect to GND.			
11	V_o	See pin 10			
12	GND	See pin 8			
13	GND	See pin 8			
14	V_I	See pin 6			
15	V_I	See pin 6			
16	-Sense	The sense input allows the regulation circuit to compensate for voltage drop between the module and the load. The -Sense pin should always be connected to GND, either at the load for optimal voltage accuracy, or at the module (pin 13).			

PMR 8000 series PoL Regulator
 Input 8 - 14 V, Output up to 40 A / 210 W

EN/LZT 146 411 R1B November 2009

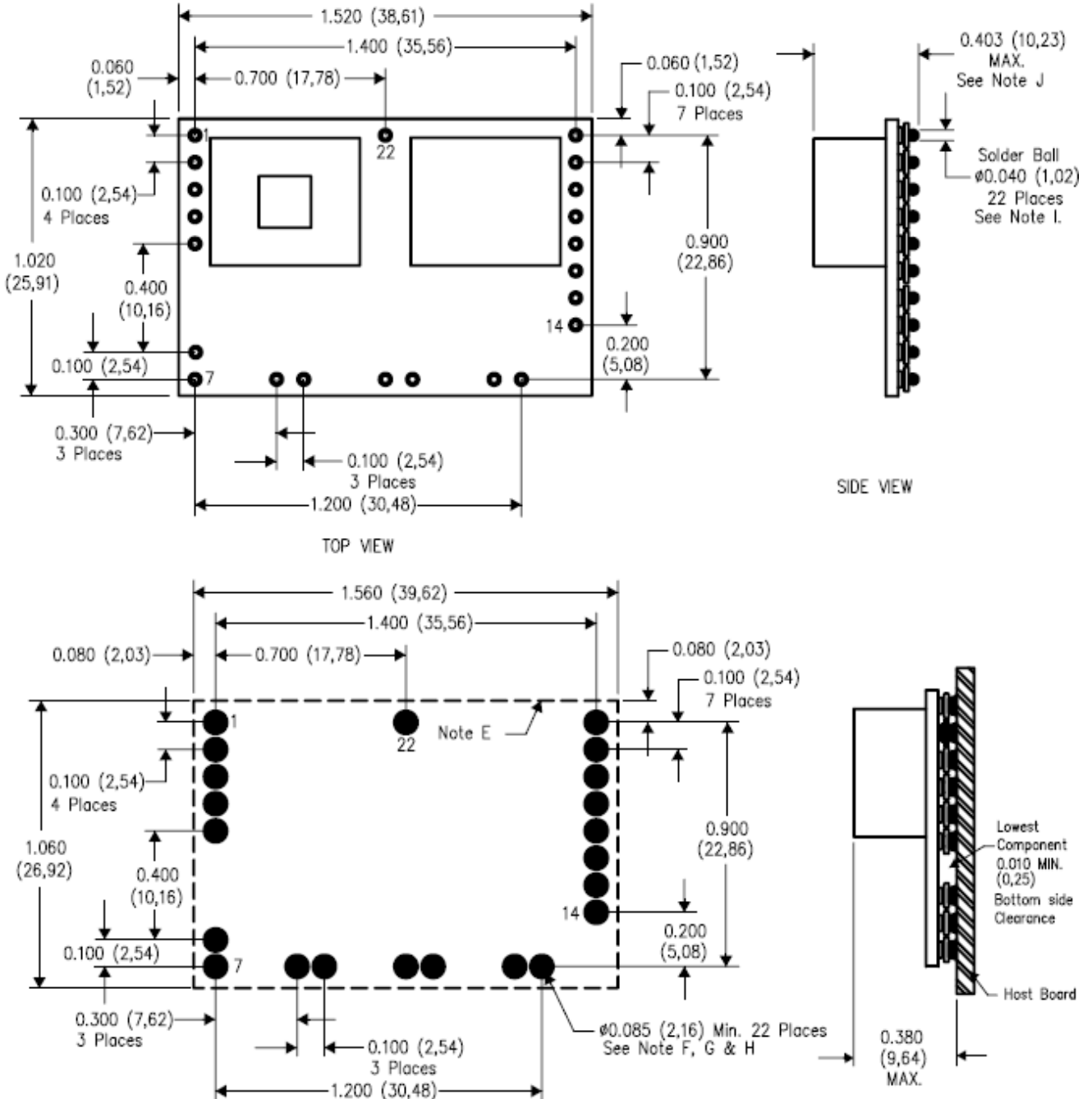
© Ericsson AB

20	Track	<p>This is an analog control input that enables the output voltage to follow an external voltage. This pin becomes active typically 25 ms after the input voltage has been applied, and allows direct control of the output voltage from 0 V up to the nominal set-point voltage. Within this range the module's output voltage follows the voltage at the Track pin on a volt-for-volt basis. When the control voltage is raised above this range, the module regulates at its set-point voltage. The feature allows the output voltage to rise simultaneously with other modules powered from the same input bus. If unused, this input should be connected to V_I.</p> <p>NOTE: Due to the undervoltage lockout feature, the output of the module cannot follow its own input voltage during power up. For more information, see the related application note.</p>	22	SmartSync	<p>This input pin synchronizes the switching frequency of the module to an external clock frequency. The SmartSync feature can be used to synchronize the switching frequency of multiple modules, aiding EMI noise suppression efforts. The external synchronization frequency must be present before a valid input voltage is present, or before the release of inhibit control. If unused, this pin MUST be connected to GND. For more information, please see the related application note.</p>
21	Inhibit and UVLO	<p>The Inhibit pin is an open-collector/drain, negative logic input that is referenced to GND. Applying a low level ground signal to this input disables the module's output and turns off the output voltage. When the Inhibit control is active, the input current drawn by the regulator is significantly reduced. If the Inhibit pin is left open-circuit, the module produces an output whenever a valid input source is applied.</p> <p>This pin is also used for input undervoltage lockout(UVLO) programming. Connecting a resistor from this pin to GND (pin 13) allows the ON threshold of the UVLO to be adjusted higher than the default value. For more information, see related application information.</p>			

PMR 8000 series PoL Regulator
 Input 8 - 14 V, Output up to 40 A / 210 W

EN/LZT 146 411 R1B November 2009
 © Ericsson AB

Mechanical Information - Surface mount version



- NOTES: A. All linear dimensions are in inches (mm).
 B. This drawing is subject to change without notice.
 C. 2 place decimals are ± 0.030 ($\pm 0,76$ mm)
 D. 3 place decimals are ± 0.010 ($\pm 0,25$ mm)
 E. Recommended keep out area for user components.
 F. Power pin connection should utilize four or more vias to the interior power plane of 0.025 (0,63) I.D. per input, ground and output pin (or the electrical equivalent).

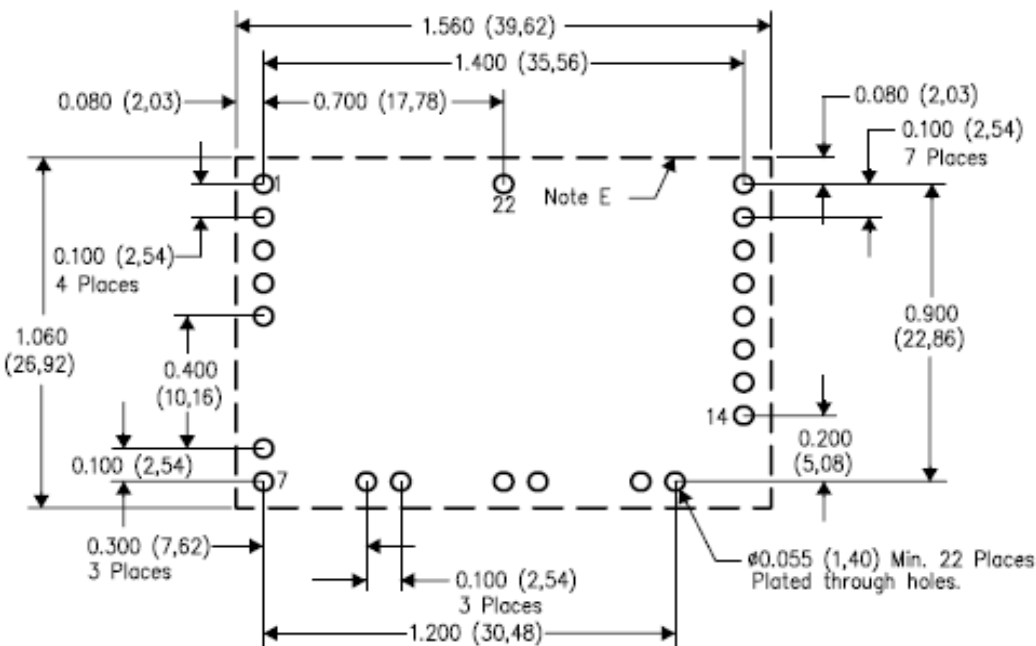
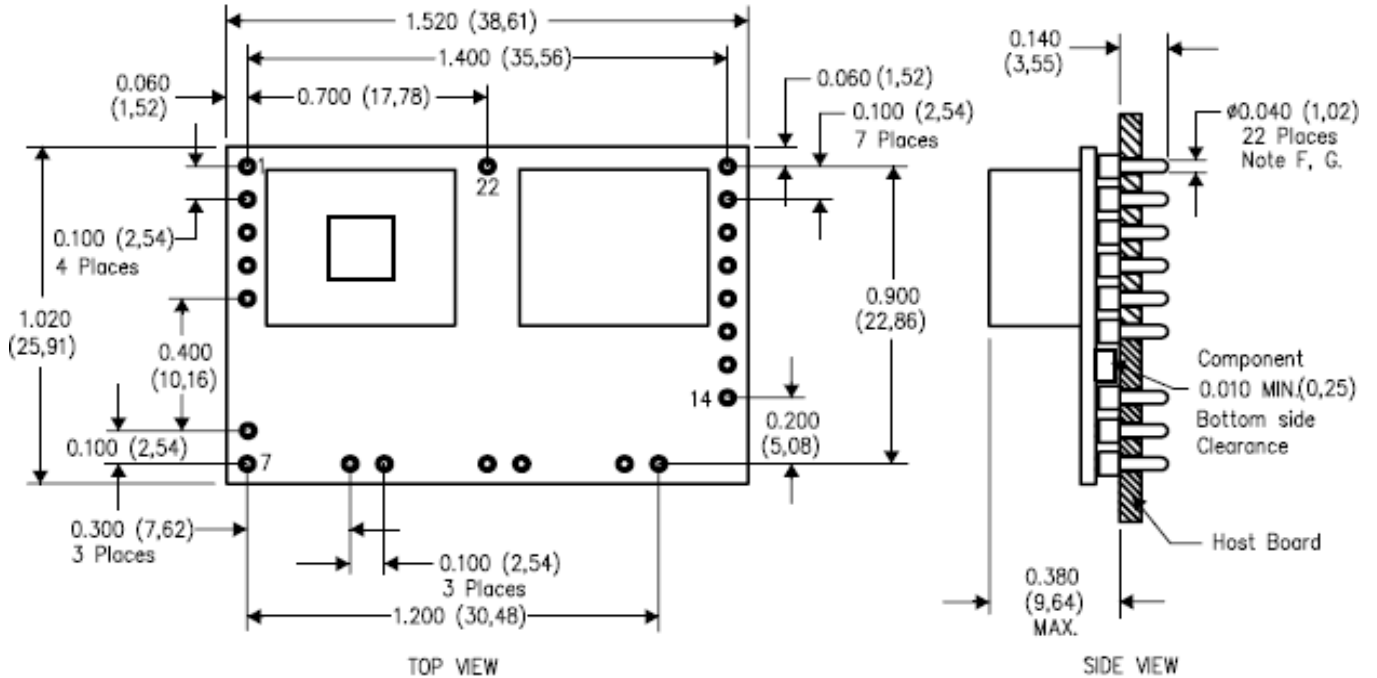
- G. Paste screen opening: 0.080 (2,03) to 0.085 (2,16)
 Paste screen thickness: 0.006 (0,15)
 H. Pad type: Solder mask defined.
 I. This is a lead-free solder ball design.
 Finish: Tin (100%) over Nickel plating
 Solder ball: 96.5 Sn/3.0 Ag/0.5 Cu
 J. Dimension prior to reflow solder.

PMR 8000 series PoL Regulator
 Input 8 - 14 V, Output up to 40 A / 210 W

EN/LZT 146 411 R1B November 2009

© Ericsson AB

Mechanical Information- Through hole mount version



- NOTES: A. All linear dimensions are in inches (mm).
 B. This drawing is subject to change without notice.
 C. 2 place decimals are ± 0.030 ($\pm 0,76$ mm).
 D. 3 place decimals are ± 0.010 ($\pm 0,25$ mm).
 E. Recommended keep out area for user components.

- F. Pins are 0.040" (1,02) diameter with 0.070" (1,78) diameter standoff shoulder.
 G. All pins: Material - Copper Alloy
 Finish - Tin (100%) over Nickel Plating.

PMR 8000 series PoL Regulator
 Input 8 - 14 V, Output up to 40 A / 210 W

EN/LZT 146 411 R1B November 2009

© Ericsson AB

Soldering Information - Hole Mounting

The hole mounted product is intended for plated through hole mounting by wave or manual soldering. The pin temperature is specified to maximum to 270°C for maximum 10 seconds.

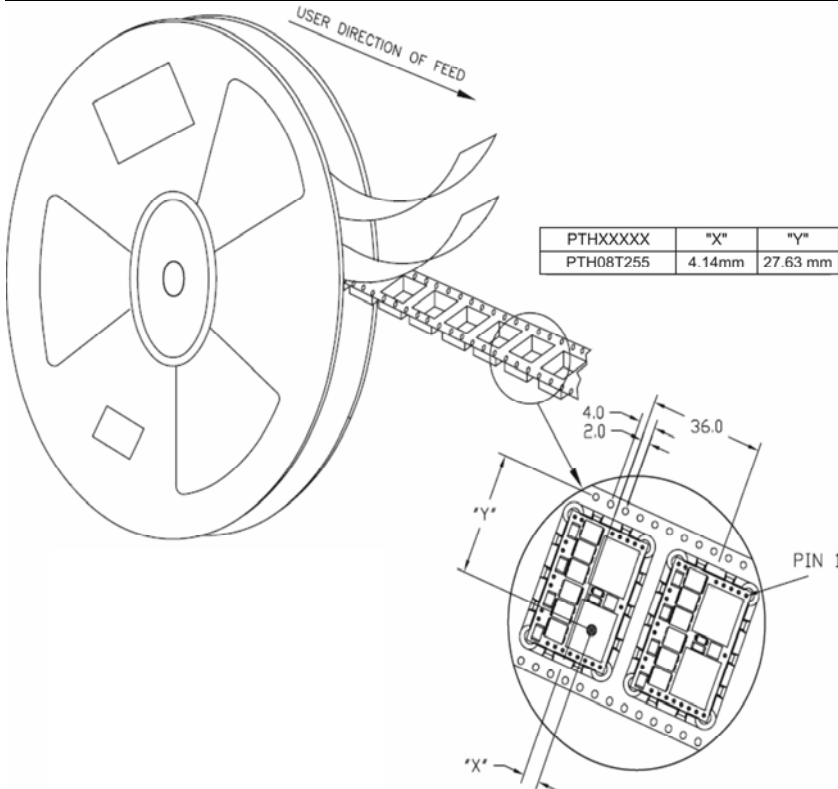
A maximum preheat rate of 4°C/s and maximum preheat temperature of 150°C is suggested. When soldering by hand, care should be taken to avoid direct contact between the hot soldering iron tip and the pins for more than a few seconds in order to prevent overheating.

A no-clean flux is recommended to avoid entrapment of cleaning fluids in cavities inside the product or between the product and the host board. The cleaning residues may affect long time reliability and isolation voltage.

Delivery Package Information

The products are delivered in tape and reel (SMD) or antistatic trays (TH & SMD)

Reel Specifications	
Material	Antistatic PS
Surface resistance	$10^8 < \text{Ohm/square} < 10^{12}$
Bakeability	The reels cannot be baked
Tape width, W	56 mm [2.205 inch]
Pocket pitch, P ₁	36 mm [1.417 inch]
Pocket depth, K ₀	10.4 mm [0.41 inch]
Reel diameter	330 mm [13 inch]
Reel capacity	150 products /reel
Reel weight	150 g empty, 2550 g/full reel
Carrier thickness	0.05 mm [0.002 inch]
Box capacity	300 products [2 reel/box]

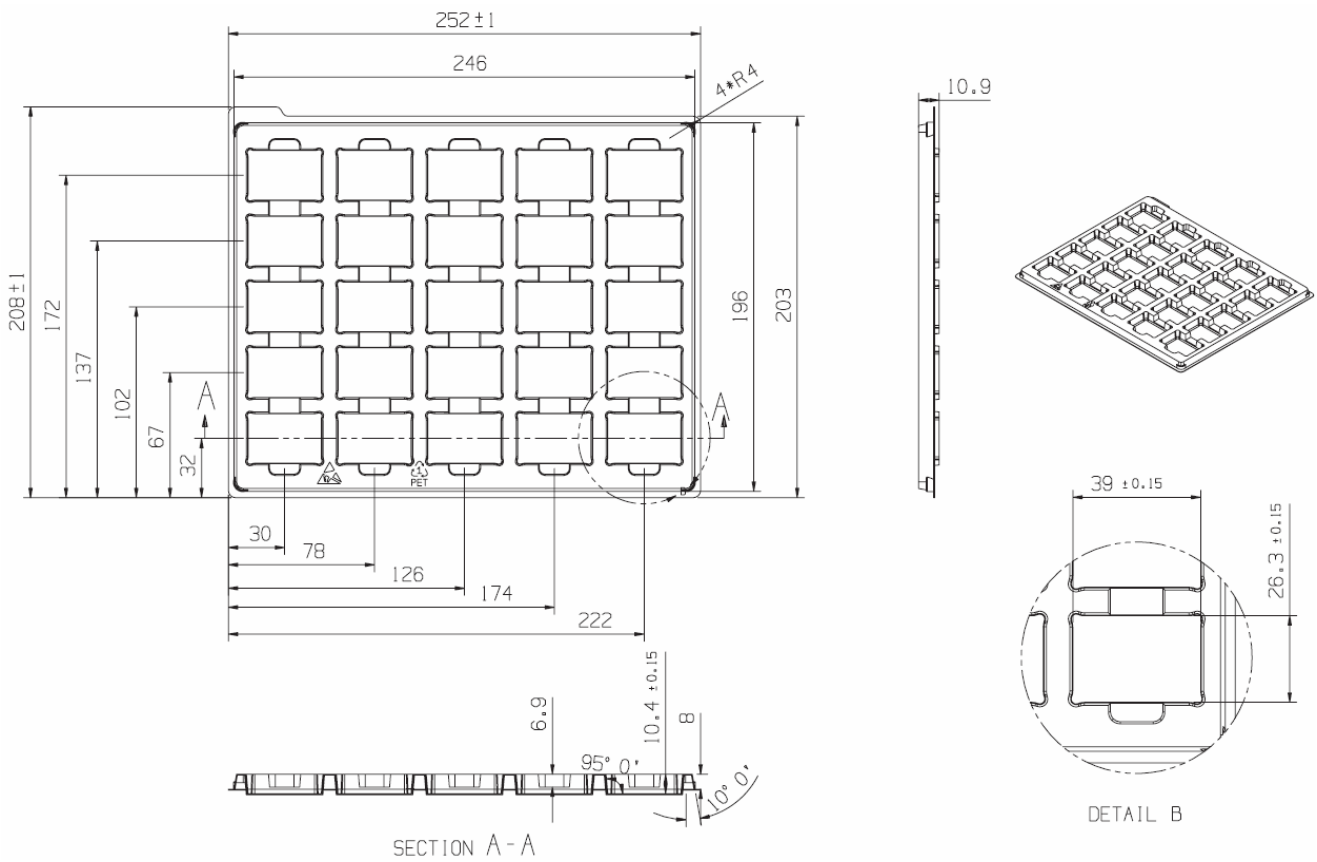


PMR 8000 series PoL Regulator
 Input 8 - 14 V, Output up to 40 A / 210 W

EN/LZT 146 411 R1B November 2009

© Ericsson AB

Tray Specifications	
Material	Antistatic PET
Surface resistance	$10^3 < \text{Ohm/square} < 10^{12}$
Bakability	The trays cannot be baked
Tray thickness	0.8 mm [0.03 inch]
Box capacity	125 products (5 full trays/box)
Tray weight	40 g empty, 440 g/full tray
Tray capacity	25 products/tray



Dry pack information

The products are delivered in trays or tape on reel. These inner shipment containers are dry packed in standard moisture barrier bags according to IPC/JEDEC standard J-STD-033A (Handling, packing, shipping, and use of moisture/reflow sensitivity surface mount devices).

Using products in high temperature Pb-free soldering processes requires dry pack storage and handling. In case the products have been stored in an uncontrolled environment and no longer can be considered dry, the modules must be baked according to the referred IPC/JEDEC standard.

PMR 8000 series PoL Regulator Input 8 - 14 V, Output up to 40 A / 210 W	EN/LZT 146 411 R1B November 2009
	© Ericsson AB

Product Qualification Specification

Characteristics			
External visual inspection	IPC-A-610		
Change of temperature (Temperature cycling)	IEC 60068-2-14 Na	Temperature range Number of cycles Dwell/transfer time	-40 to 100°C 1000 15 min/0-1 min
Cold (in operation)	IEC 60068-2-1 Ad	Temperature T _A Duration	-45°C 72 h
Damp heat	IEC 60068-2-67 Cy	Temperature Humidity Duration	85°C 85 % RH 1000 hours
Dry heat	IEC 60068-2-2 Bd	Temperature Duration	125°C 1000 h
Electrostatic discharge susceptibility	IEC 61340-3-1, JESD 22-A114 IEC 61340-3-2, JESD 22-A115	Human body model (HBM) Machine Model (MM)	Class 2, 2000 V Class 3, 200 V
Immersion in cleaning solvents	IEC 60068-2-45 XA, method 2	Water Glycol ether Isopropyl alcohol	55°C 35°C 35°C
Mechanical shock	IEC 60068-2-27 Ea	Peak acceleration Duration	100 g 6 ms
Moisture reflow sensitivity ¹	J-STD-020C	Level 1 (SnPb-eutectic) Level 3 (Pb Free)	225°C 260°C
Operational life test	MIL-STD-202G, method 108A	Duration	1000 h
Resistance to soldering heat ²	IEC 60068-2-20 Tb, method 1A	Solder temperature Duration	270°C 10-13 s
Robustness of terminations	IEC 60068-2-21 Test Ua1 IEC 60068-2-21 Test Ue1	Through hole mount products Surface mount products	All leads All leads
Solderability	IEC 60068-2-58 test Td ¹	Preconditioning Temperature, SnPb Eutectic Temperature, Pb-free	150°C dry bake 16 h 215°C 235°C
	IEC 60068-2-20 test Ta ²	Preconditioning Temperature, SnPb Eutectic Temperature, Pb-free	Steam ageing 235°C 245°C
Vibration, broad band random	IEC 60068-2-64 Fh, method 1	Frequency Spectral density Duration	10 to 500 Hz 0.07 g ² /Hz 10 min in each direction

Notes
¹ Only for products intended for reflow soldering (surface mount products)

² Only for products intended for wave soldering (plated through hole products)