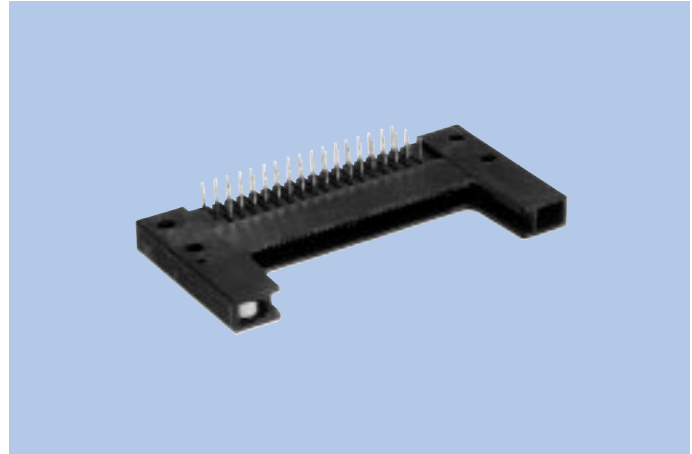


1.27mm Density PC Card Connectors

CP-P54 Series (Plug), CP-P54B Series (Socket for Card)

FEATURES

1. CP-P54 (Plug), CE-P54B (Socket) series are 68 pin PC card connectors with 1.27mm centers designed to meet JEIDA's (Japan Electronic Industries Development Association) standard, ver.4. Socket is SMD type and Plug is dip solder type.
2. CE-P54B (Socket) contact tail area is 4-row contact tail with 2.54mm centers. 2 different tail lengths are available, 4mm and 10mm. 2 connectors can be heaped up on P.C. board.



HOW TO ORDER

1. CP-P54 Series (Plug)

P54-□□-□□-□ □ □ **P**-□
 1 2 3 4 5 6 7 8

- 1 Series No.
- 2 No. of contacts (68 : 68pins)
- 3 Housing Material (30 : PET)
- 4 Running No. assigned by us
- 5 Contact style (3 : Angle)
- 6 Contact plating (contact area) (5 : 0.3μm Gold)
- 7 Plug or Socket (P : Plug)
- 8 Contact tail length (1 : 10mm, None : 4mm)

2. CE-P54B Series (Socket)

P54B-□□-□ □ -□ □ □ **S**
 1 2 3 4 5 6 7 8

- 1 Series No.
- 2 No. of contacts (68 : 68pins)
- 3 Housing Material (7 : 46 Nylon)
- 4 Contact style (1 : Single row, 2 : Double row)
- 5 Running No. assigned by us
- 6 Contact style (1 : Straight)
- 7 Contact plating (contact area) (5 : 0.3μm Gold)
- 8 Plug or Socket (S : Socket)

SPECIFICATIONS

ELECTRICAL CHARACTERISTICS

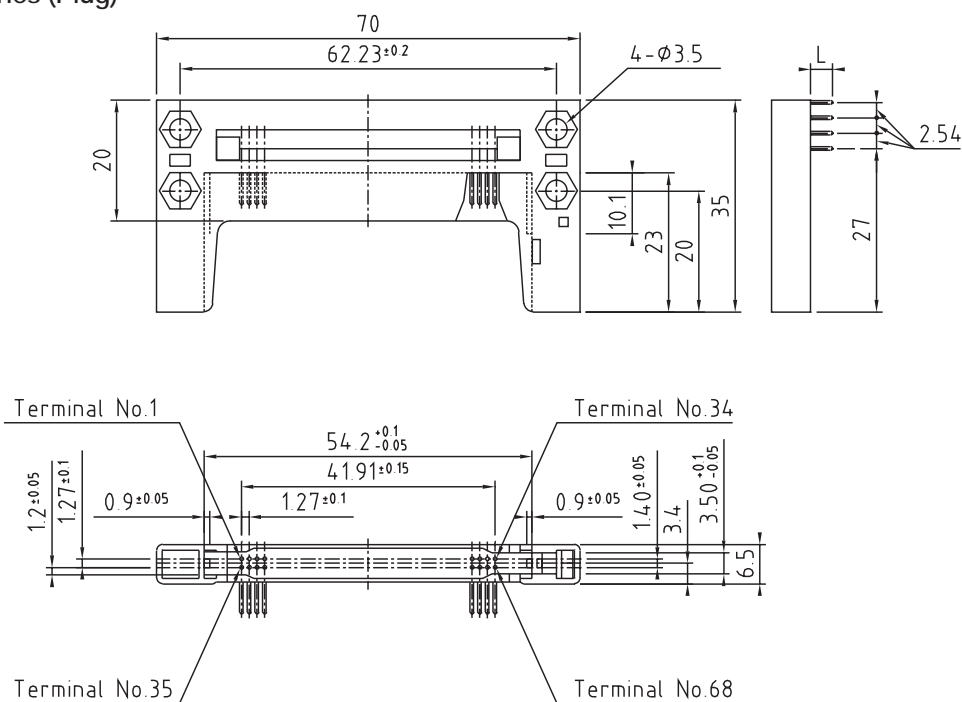
Current Capacity	0.5A per contact
Withstanding Voltage	500V AC (rms) 1minute
Insulation Resistance	1,000MΩ min.
Contact Resistance	40mΩ max.

MATERIAL & FINISH

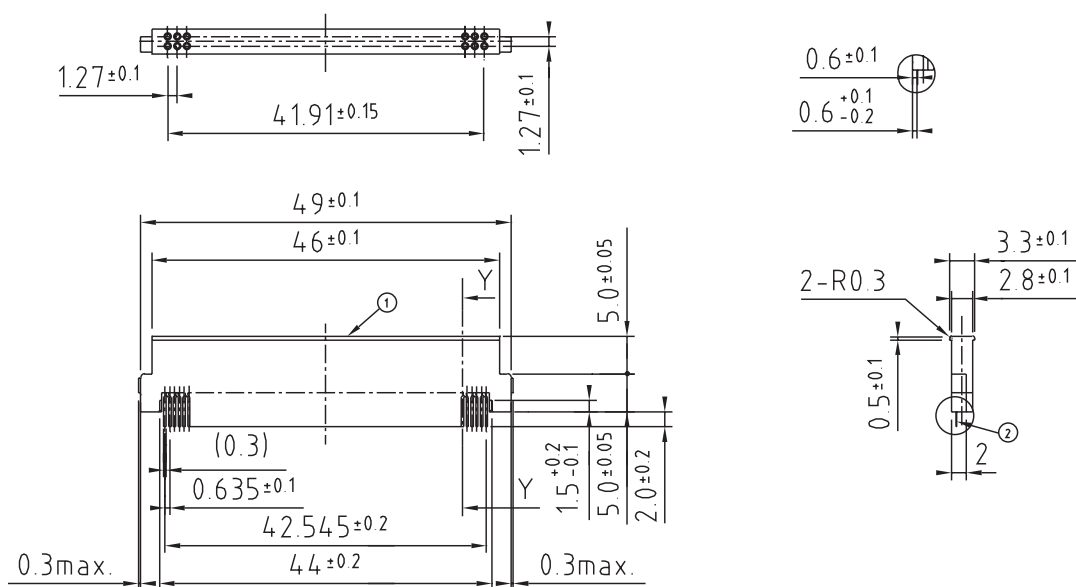
Component parts		Material	Finish
CP-P54 (Plug)	Housing	Glass filled PBT resin	---
	Contact	Copper Alloy	Gold selective plating
CE-P54B (Socket)	Housing	Glass filled 46 Nylon	---
	Contact	Copper Alloy	Gold selective plating

DIMENSIONS

CP-P54 Series (Plug)



CE-P54B Series (Socket)



Unit : mm
Tolerance : $\pm 0.3mm$