

0.5 mm pitch male connector for super-thin coaxial cables
LVC-D22LPMSG+

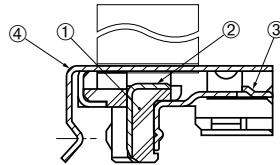
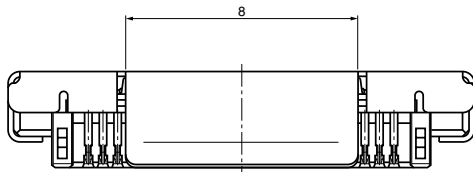


● Configuration of product Part No.

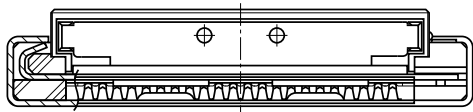
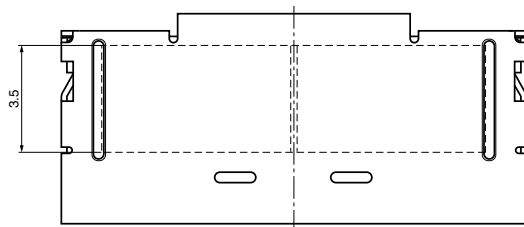
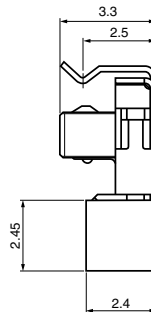
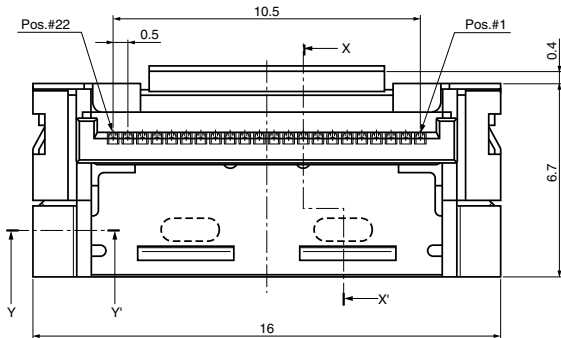
LVC- D 22 LPMS G+

① ② ③ ④

- ① Series name
- ② No. of contacts: 22
- ③ Form of contact
LPMS: Cable-side right-angle, male
- ④ Contact plating
G: Gold plate



X-X' cross section



Y-Y' cross section

● Components

①	Insulator
②	Contact
③	Shielding sheet
④	Shell

Mating connectors: LVC-D22SFYG+