

P/N: KPB-3025SRPGC-PRV

SUPER BRIGHT RED
PURE GREEN

Features

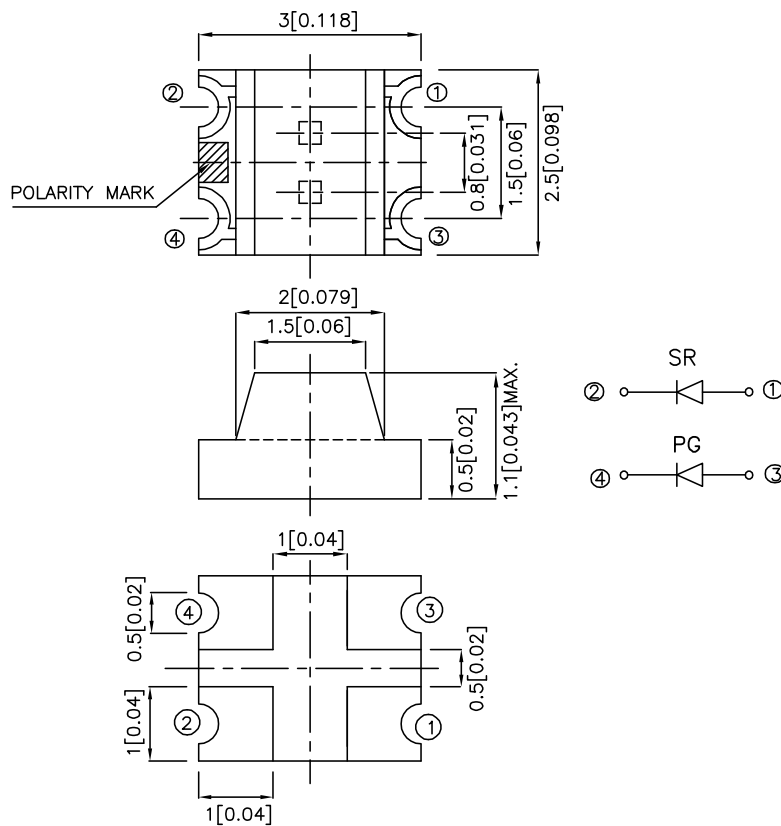
- 3.0mmx2.5mm SMT LED, 1.1mm THICKNESS.
- BI -COLOR,LOW POWER CONSUMPTION.
- WIDE VIEWING ANGLE.
- IDEAL FOR BACKLIGHT AND INDICATOR.
- VARIOUS COLORS AND LENS TYPES AVAILABLE.
- PACKAGE : 2000PCS / REEL.
- RoHS COMPLIANT.

Description

The Super Bright Red source color devices are made with Gallium Aluminum Arsenide Red Light Emitting Diode.

The Pure Green source color devices are made with Gallium Phosphide Pure Green Light Emitting Diode.

Package Dimensions



Notes:

1. All dimensions are in millimeters (inches).
2. Tolerance is $\pm 0.2(0.008")$ unless otherwise noted.
3. Specifications are subject to change without notice.

Selection Guide

| Part No. | Dice | Lens Type | Iv (mcd) @ 20mA | | Viewing Angle |
|-------------------|---------------------------|-------------|--------------------|------|------------------|
| | | | Min. | Typ. | 2 θ 1/2 |
| KPB-3025SRPGC-PRV | SUPER BRIGHT RED (GaAlAs) | WATER CLEAR | 36 | 100 | 120° |
| | PURE GREEN (GaP) | | 1.6 | 5 | |

Note:

1. θ1/2 is the angle from optical centerline where the luminous intensity is 1/2 the optical centerline value.

Electrical / Optical Characteristics at TA=25°C

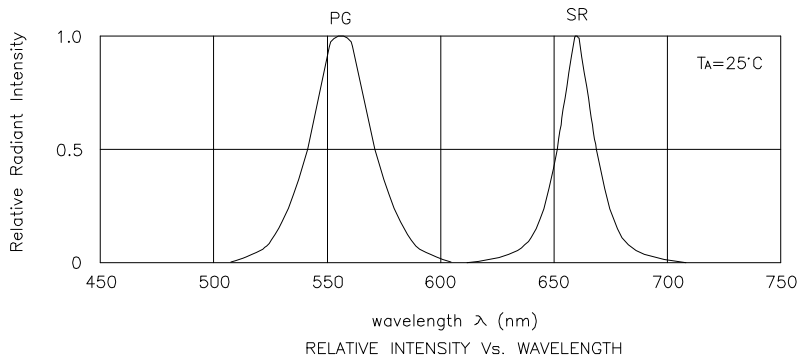
| Symbol | Parameter | Device | Typ. | Max. | Units | Test Conditions |
|--------|--------------------------|--------------------------------|--------------|------------|-------|-----------------|
| λpeak | Peak Wavelength | Super Bright Red Pure Green | 660 555 | | nm | IF=20mA |
| λD | Dominant Wavelength | Super Bright Red Pure Green | 640 555 | | nm | IF=20mA |
| Δλ1/2 | Spectral Line Half-width | Super Bright Red Pure Green | 20 30 | | nm | IF=20mA |
| C | Capacitance | Super Bright Red Pure Green | 45 45 | | pF | VF=0V;f=1MHz |
| VF | Forward Voltage | Super Bright Red Pure Green | 1.85 2.25 | 2.5 2.5 | V | IF=20mA |
| IR | Reverse Current | Super Bright Red Pure Green | | 10 10 | uA | VR = 5V |

Absolute Maximum Ratings at TA=25°C

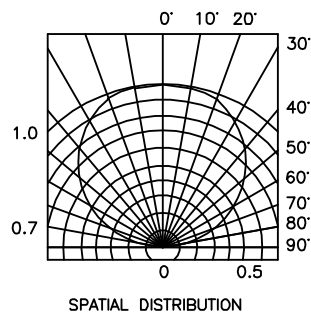
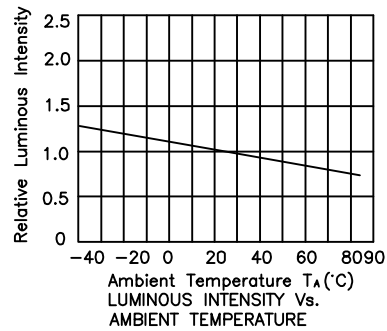
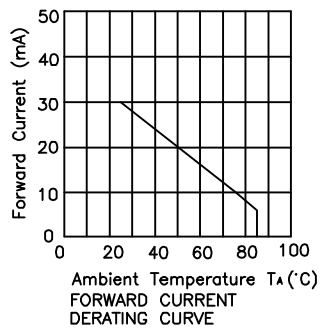
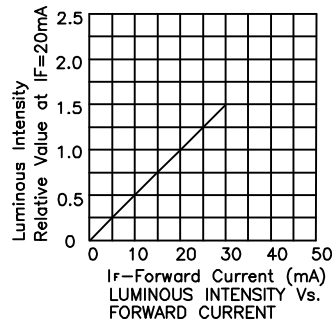
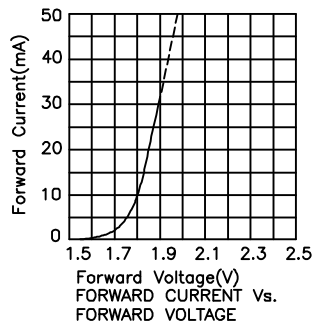
| Parameter | Super Bright Red | Pure Green | Units |
|-------------------------------|------------------|------------|-------|
| Power dissipation | 100 | 105 | mW |
| DC Forward Current | 30 | 25 | mA |
| Peak Forward Current [1] | 155 | 135 | mA |
| Reverse Voltage | 5 | | V |
| Operating/Storage Temperature | -40°C To +85°C | | |

Notes:

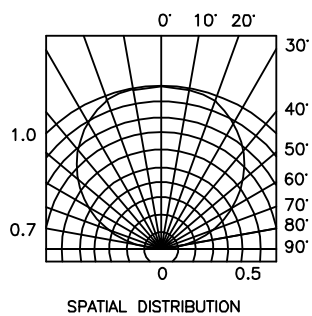
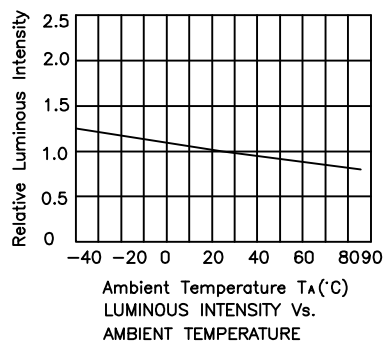
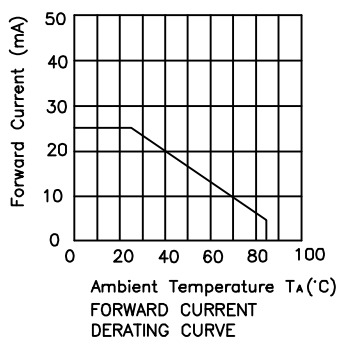
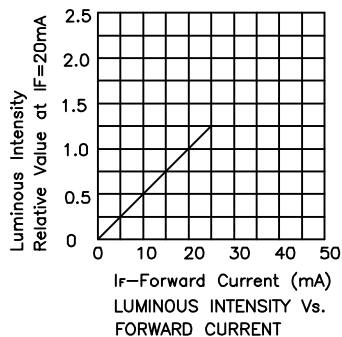
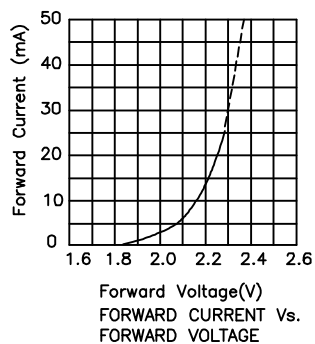
1. 1/10 Duty Cycle, 0.1ms Pulse Width.



KPB-3025SRPGC-PRV Super Bright Red

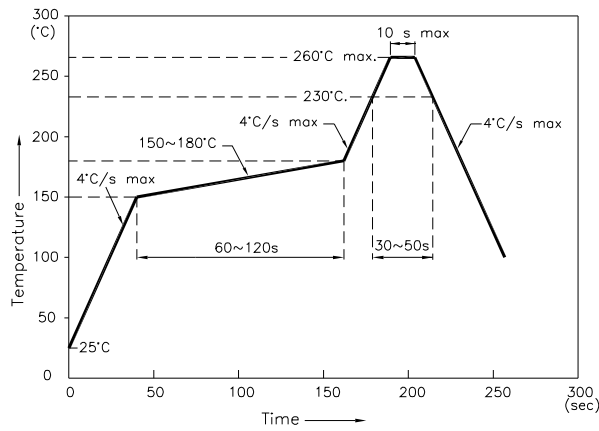


Pure Green



KPB-3025SRPGC-PRV

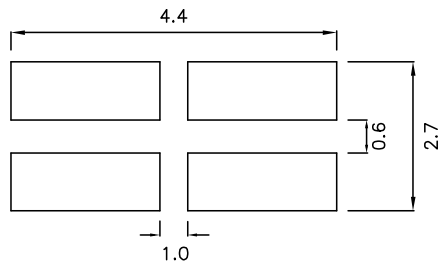
Reflow Soldering Profile For Lead-free SMT Process.



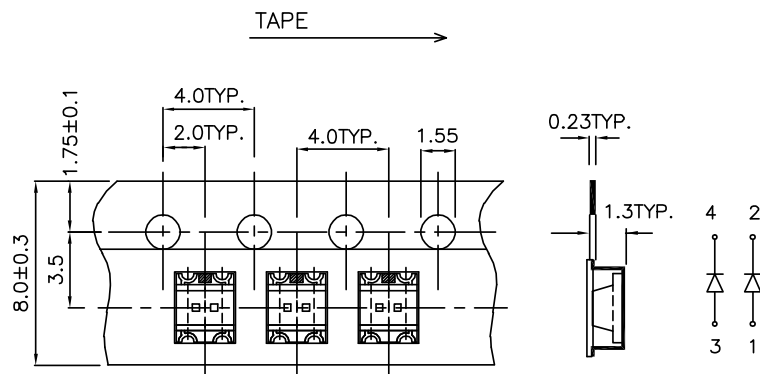
NOTES:

1. We recommend the reflow temperature 245°C(+/-5°C). The maximum soldering temperature should be limited to 260°C.
2. Don't cause stress to the epoxy resin while it is exposed to high temperature.
3. Number of reflow process shall be 2 times or less.

Recommended Soldering Pattern (Units : mm)



Tape Specifications (Units : mm)



Remarks:

If special sorting is required (e.g. binning based on forward voltage, Luminous intensity/ luminous flux, or wavelength), the typical accuracy of the sorting process is as follows:

1. Wavelength: +/-1nm
2. Luminous intensity/ luminous flux: +/-15%
3. Forward Voltage: +/-0.1V

Note: Accuracy may depend on the sorting parameters.