

SPECIFICATIONS

Header Connector

HD45 Series
R/A, T/H Type
2.50mm [.098] Pitch

Mechanical

Contact Retention Force: 0.91 kg min.

Electrical

Current Rating: 1A Per Pin Min.

Dielectric Withstanding Voltage: 500 RMS

Insulation Resistance: 1000MW min.

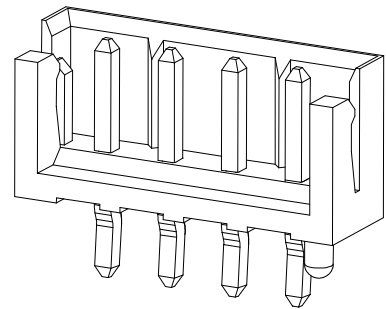
Physical

Housing: High Temperature, UL 94V-0 Rated In Black Color

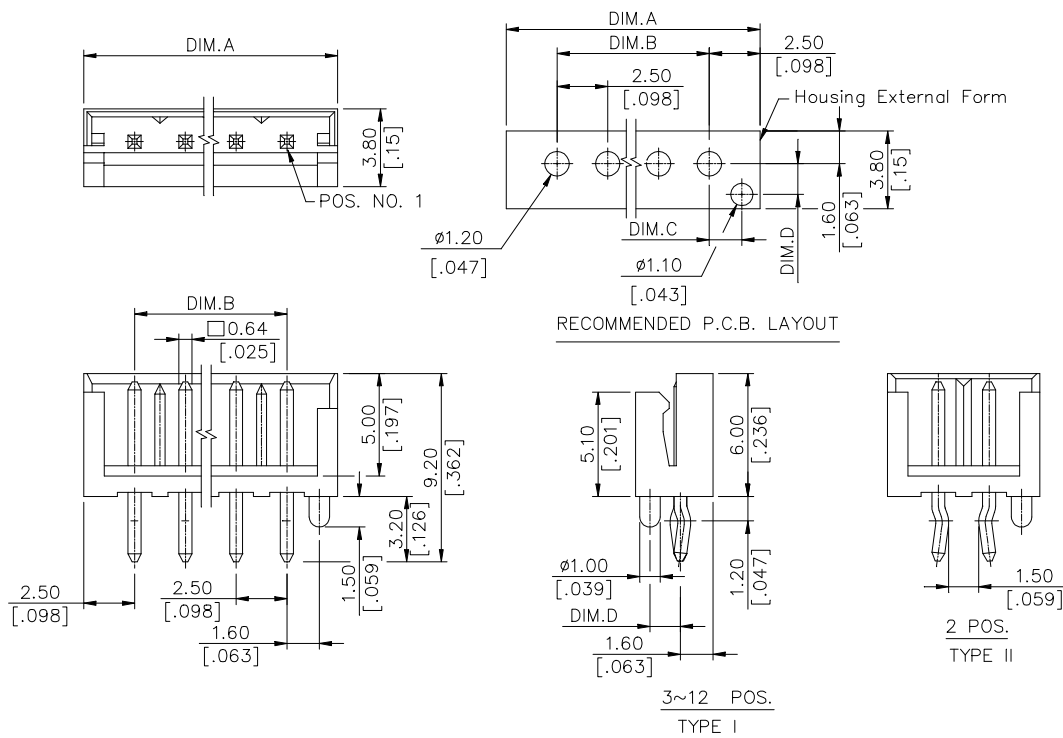
Contact: Copper Alloy

Plating: See "ORDERING INFORMATION"

Operating Temperature: -40 to +105



DRAWING



ORDERING INFORMATION

PRODUCT NO.: HD45*-****

Header _____
 Polarizing Wall _____
 Termination&Contact Type _____
 No. Of Pos _____
 02 = 02 Pos

 12 = 12 Pos
 Contact Area Plating _____
 0 = Tin / Lead
 F = Gold Flish With Lead Free RoHS COMPLIANCE
 V = 15u" Min Gold With Lead Free RoHS COMPLIANCE
 E = Tin Plated With Lead Free RoHS COMPLIANCE
 H = 30 u" Min Gold With Lead Free RoHS COMPLIANCE

Option For Guide Post
 None: Standard Product
 P1 : One Guide Post (DIM. C=1.60, DIM. D=1.50)
 P1 : One Guide Post (DIM. C=1.95, DIM. D=1.60)
Option For Kink
 None: Standard Product
 K : With Kink
 2 Pos. 1st & 2nd Pins Of Terminals Are Kinked (See Type II)
 3 - 12 Pos. 1st ,N-1& N Pins Of Terminals Are Kinked (See Type I)

HD4512*-***	12	32.50 [1.281]	27.50 [1.084]
HD4508*-***	08	22.50 [.887]	17.50 [.690]
HD4506*-***	06	17.50 [.690]	12.50 [.493]
HD4505*-***	05	15.00 [.591]	10.00 [.394]
HD4504*-***	04	12.50 [.493]	7.50 [.296]
HD4503*-***	03	10.00 [.394]	5.00 [.197]
HD4502*-***	02	7.50 [.296]	2.50 [.098]
P/N	POS.	DIM. A	DIM. B