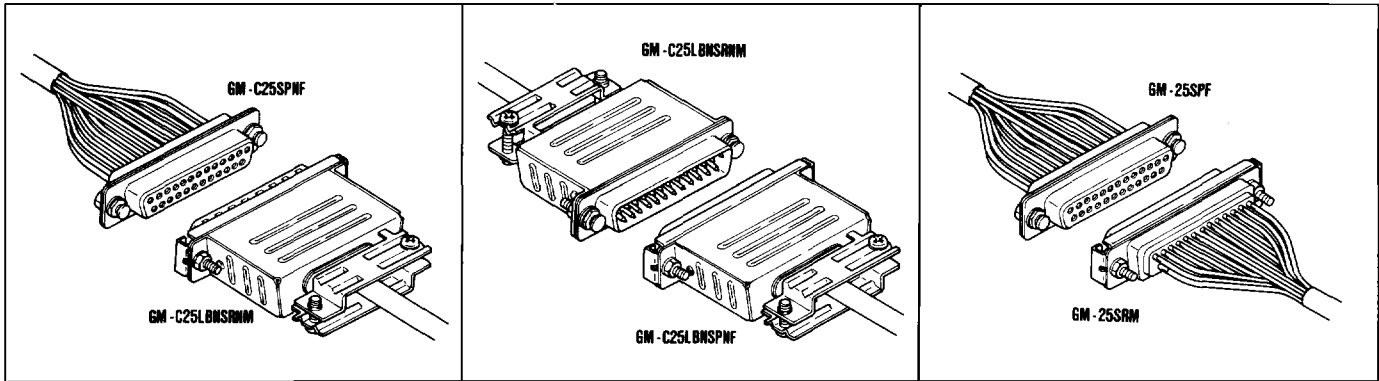
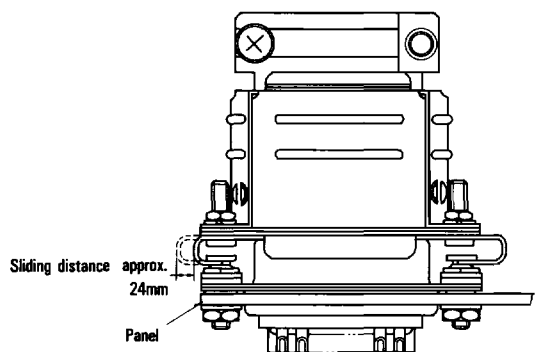
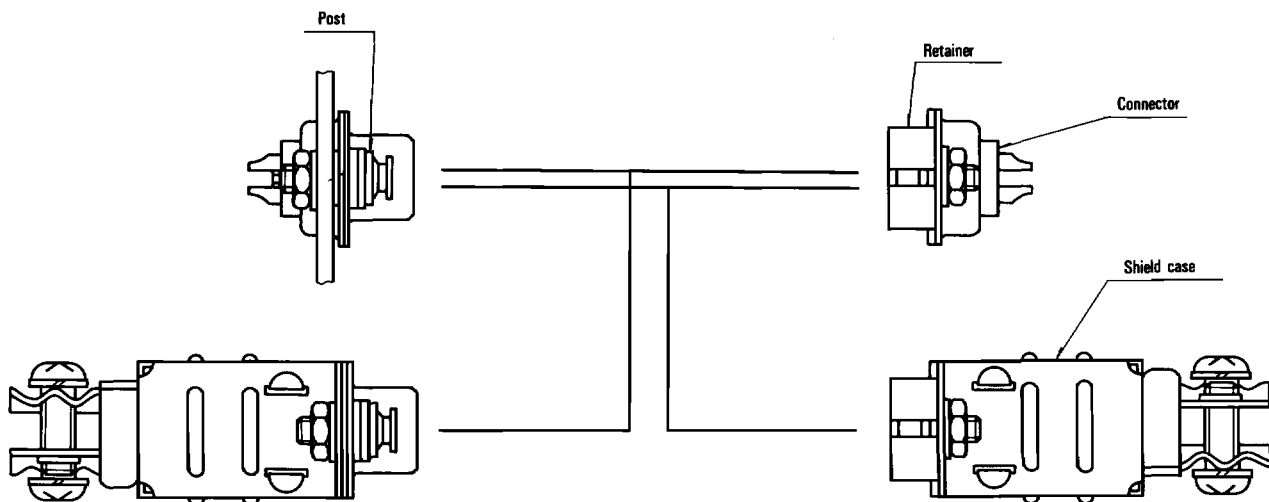


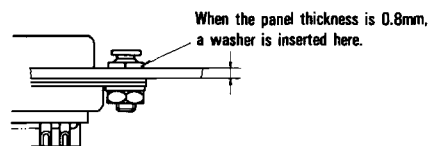
# CONNECTOR WITH SLIDING LOCK ASSEMBLY



## Combination of Sliding Locks



Front panel mounting



Rear panel mounting

# CONNECTOR WITH SLIDING LOCK ASSEMBLY

## Connector with Shield Case and Retainer

### GM-C( )LBNSRNM

① ② ③ ④ ⑤ ⑥

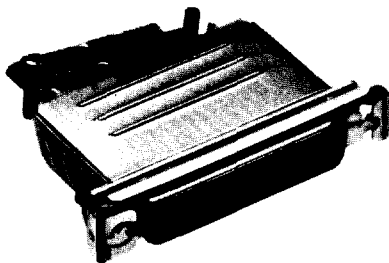
- ① **Series Prefix**  
GM, GME, GMP
- ② **Plating on Shell**  
Blank: Chromate coating over zinc plating  
C: Nickel plating
- ③ **Number of Contacts:** 9, 15, 25, 37, 50
- ④ **Case**  
LB: Chromate coating over zinc plating  
LBN: Nickel plating
- ⑤ **Retainer**  
SR: Chromate coating over zinc plating  
SRN: Nickel plating
- ⑥ **Connector Type**  
M: Solder type male connector (GM series)  
Solderless type male housing (GMP series)  
F: Solder type female connector (GM & GME series)  
Solderless type female housing (GMP series)

## Connector with Retainer

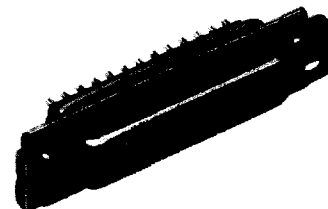
### GM-C( )SRNM

① ② ③ ④ ⑤

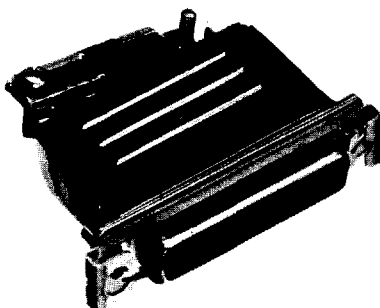
- ① **Series Prefix**  
GM, GME, GMF, GMP, GMM
- ② **Plating on Shell**  
Blank: Chromate coating over zinc plating  
A: Chromate coating over zinc plating (for GMM)  
C: Nickel plating
- ③ **Number of Contacts:** 9, 15, 25, 37, 50
- ④ **Retainer**  
SR: Chromate coating over zinc plating  
SRN: Nickel plating
- ⑤ **Connector Type**  
M: Solder type male connector (GM series)  
Solderless type male housing (GMP series)  
F: Solder type female connector (GM & GME series)  
Solderless type female housing (GMP series)  
MW: Wrapping type male connector (GM series)  
FW: Wrapping type female connector (GM series)  
MD: DIP type male connector (GM series)  
FD: DIP type female connector (GM & GMF series)  
BMDA4: Right angle A size male connector (GM series)  
BFDA4: Right angle A size female connector (GM series)  
BMDB6: Right angle B size male connector (GM series)  
BFDB6: Right angle B size female connector (GM series)  
MDA: Right angle A size male connector (GMM series)  
FDA: Right angle A size female connector (GMM series)  
MDB: Right angle B size male connector (GMM series)  
FDB: Right angle B size female connector (GMM series)



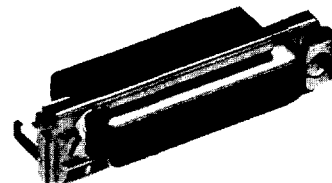
GM-25LBSRM



GM-25SRM



GM-25LBSRF

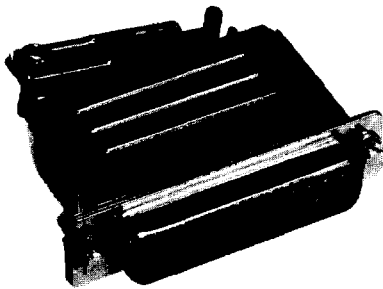


GMM-A25SRGDMDB

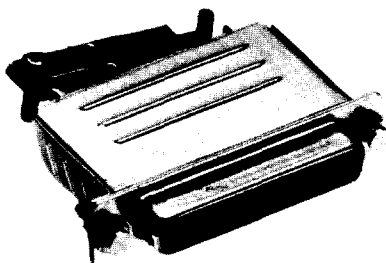
**Connector with Shield Case and Post**  
**GM-C( )LBNSPMM**

① ② ③ ④ ⑤ ⑥

- ① **Series Prefix**  
GM, GME, GMP
- ② **Plating on Shell**  
Blank: Chromate coating over zinc plating  
C: Nickel plating
- ③ **Number of Contacts:** 9, 15, 25, 37, 50
- ④ **Case**  
LB: Chromate coating over zinc plating  
LBN: Nickel plating
- ⑤ **Post**  
SP: Chromate coating over zinc plating  
SPN: Nickel plating
- ⑥ **Connector Type**  
M: Solder type male connector (GM series)  
Solderless type male housing (GMP series)  
F: Solder type female connector (GM & GME series)  
Solderless type female connector (GMP series)



**GM-25LBSPM**

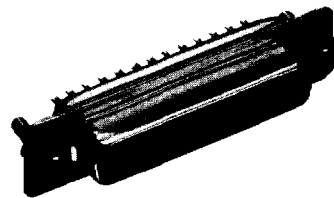


**GM-25LBSPF**

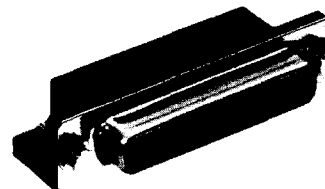
**Connector with Post**  
**GM-C( )SPNM**

① ② ③ ④ ⑤

- ① **Series Prefix**  
GM, GME, GMF, GMP, GMM
- ② **Plating on Shell**  
Blank: Chromate coating over zinc plating  
A: Chromate coating over zinc plating (for GMM)  
C: Nickel plating
- ③ **Number of Contacts:** 9, 15, 25, 37, 50
- ④ **Post**  
SP: Chromate coating over zinc plating  
SPN: Nickel plating
- ⑤ **Connector Type**  
M: Solder type male connector (GM series)  
Solderless type male housing (GMP series)  
F: Solder type female connector (GM & GME series)  
Solderless type female housing (GMP series)  
MW: Wrapping type male connector (GM series)  
FW: Wrapping type female connector (GM series)  
MD: DIP type male connector (GM series)  
FD: DIP type female connector (GM & GMF series)  
BMDBA4: Right angle A size male connector (GM series)  
BFDA4: Right angle A size female connector (GM series)  
BMDB6: Right angle B size male connector (GM series)  
BFDB6: Right angle B size female connector (GM series)  
MDA: Right angle A size male connector (GMM series)  
FDA: Right angle A size female connector (GMM series)  
MDB: Right angle B size male connector (GMM series)  
FDB: Right angle B size female connector (GMM series)



**GM-25SPF**



**GMM-25SPFDA**