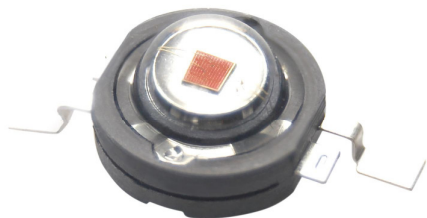


EHP-AX08EL/SUR01A-P01

High Power LED – 1 W



Data Sheet



Features

- ◆ Feature of the device: Small package with high efficiency
- ◆ Typical wavelength: 625nm
- ◆ Typical viewing angle: 140°
- ◆ Typical light flux output:: 45 lm @ 350mA.
- ◆ ESD protection.
- ◆ Soldering methods: SMT
- ◆ Grouping parameter: Luminous Flux, Forward Voltage and Chromaticity.
- ◆ Optical efficiency: 54 lm/W.
- ◆ Moisture Sensitivity Level: 3
- ◆ Thermal resistance
(Junction to Heat sink): 15 °C /W
- ◆ The product itself will remain within RoHS compliant.

Applications

- ◆ Design and effect illumination
- ◆ Interior automotive lighting (e.g. dashboard backlighting)
- ◆ Room lighting (e.g. luminaries, spotlights)
- ◆ Reading light (aircraft, car, bus)
- ◆ Signal and symbol luminaries
- ◆ Marker lights (e.g. steps, exit ways, etc.)
- ◆ Architectural illumination

Materials

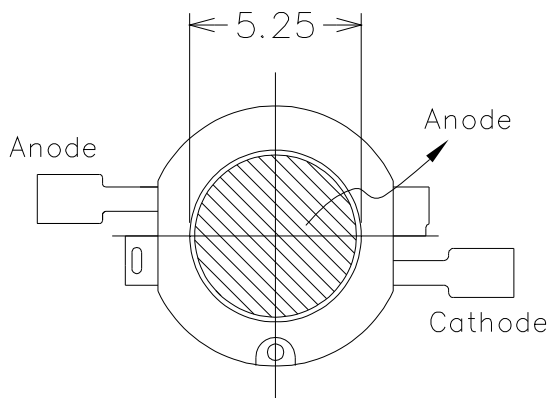
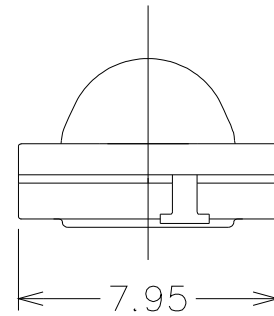
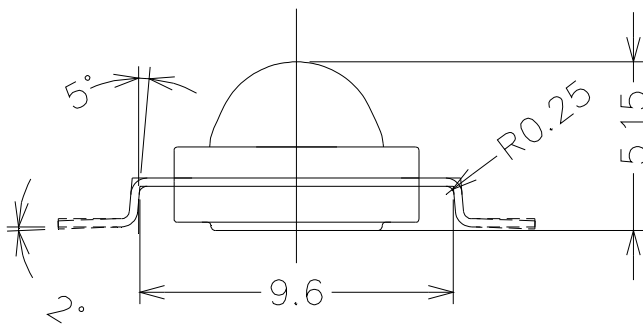
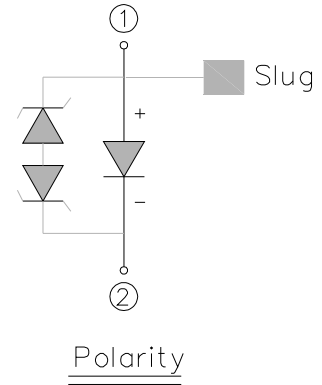
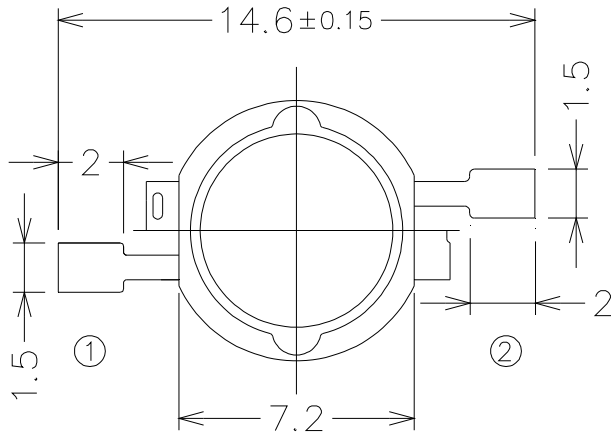
Items	Description
Housing black body	Heat resistant polymer
Encapsulating Resin	Silicone resin
Electrodes	Ag plating copper alloy
Die attach	Silver paste
Chip	AlGaInP

EHP-AX08EL/SUR01A-P01

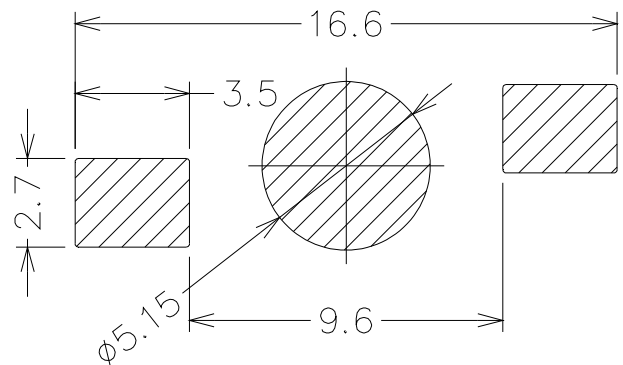
High Power LED – 1 W



Dimensions



Bot. view



Soldering patterns

Notes.

1. Dimensions are in millimeters.
2. Tolerances for fixed dimensions are $\pm 0.25\text{mm}$
3. The Heat Slug is connected to the Anode

EHP-AX08EL/SUR01A-P01

High Power LED – 1 W



Maximum Ratings ($T_{Soldering}=25^{\circ}C$)

Parameter	Symbol	Rating	Unit
DC Operating Current	I_F	400	mA
Pulsed Forward Current ⁽¹⁾	I_{PF}	500	mA
ESD Sensitivity	ESD	2000	V
Junction Temperature	T_j	125	°C
Operating Temperature	$T_{op.}$	-40 ~ +85	°C
Storage Temperature	$T_{stge.}$	-40 ~ +100	°C
Junction To Heat-Sink Thermal Resistance	R_{th}	15	°C /W

Electro-Optical Characteristics ($T_{Soldering}=25^{\circ}C$)

Parameter	Symbol	Min	Typ.	Max	Unit	Condition
Luminous Flux ⁽²⁾	Φ_v	----	45	----	lm	$I_F=350mA$
Forward Voltage ⁽³⁾	V_F	----	2.35	----	V	
Wavelength ⁽⁴⁾	λ_d	----	625	----	nm	

Note.

1. $t_p \leq 100 \mu s$, Duty cycle = 0.25
2. Luminous Flux measurement tolerance: $\pm 10\%$.
3. Forward Voltage measurement tolerance: $\pm 0.1V$.
4. Wavelength measurement tolerance: $\pm 1nm$

Luminous Flux Bin Table

Group	Bin	Min	Typ.	Max
E	1	1.5	----	3
	2	3	----	4
	3	4	----	5
	4	5	----	6
	5	6	----	8
F	1	8	----	10
	2	10	----	13
	3	13	----	17
	4	17	----	20
	5	20	----	23
J	1	23	----	27
	2	27	----	33
	3	33	----	39
	4	39	----	45
	5	45	----	52
K	1	52	----	60
	2	60	----	70
	31	70	----	75
	32	75	----	80
	33	80	----	85
	41	85	----	90
	42	90	----	95
	43	95	----	100
	51	100	----	110
	52	110	----	120
	53	120	----	130

Group	Bin	Min	Typ.	Max
N	11	130	----	140
	12	140	----	150
	13	150	----	160
	21	160	----	180
	22	180	----	200
	31	200	----	225
	32	225	----	250
	41	250	----	275
	42	275	----	300
	51	300	----	350
R	52	350	----	400
	1	400	----	500
	2	500	----	600
	3	600	----	750
	4	750	----	1000
	5	1000	----	1300

EHP-AX08EL/SUR01A-P01

High Power LED – 1 W



Forward Voltage Bin Table – Fine Range

Group	Bin	Min	Typ.	Max
U1	1	1.75	----	1.85
	2	1.85	----	1.95
	3	1.95	----	2.05
U2	1	2.05	----	2.15
	2	2.15	----	2.25
	3	2.25	----	2.35
U3	1	2.35	----	2.45
	2	2.45	----	2.55
	3	2.55	----	2.65
U4	1	2.65	----	2.75
	2	2.75	----	2.85
	3	2.85	----	2.95

Group	Bin	Min	Typ.	Max
V1	1	2.95	----	3.05
	2	3.05	----	3.15
	3	3.15	----	3.25
V2	1	3.25	----	3.35
	2	3.35	----	3.45
	3	3.45	----	3.55
V3	1	3.55	----	3.65
	2	3.65	----	3.75
	3	3.75	----	3.85
V4	1	3.85	----	3.95
	2	3.95	----	4.05
	3	4.05	----	4.15
V5	1	4.15	----	4.25
	2	4.25	----	4.35
	3	4.35	----	4.45

EHP-AX08EL/SUR01A-P01

High Power LED – 1 W



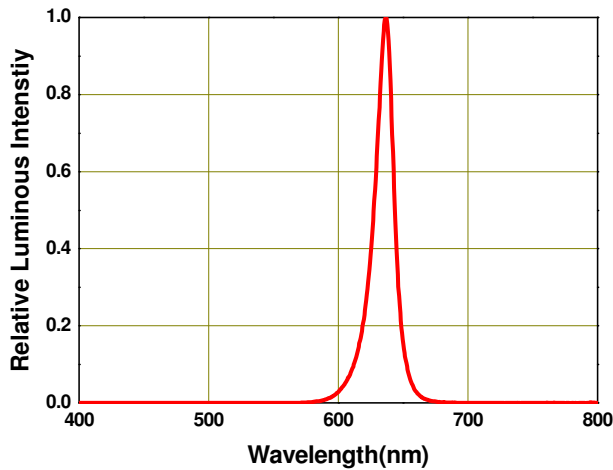
Wavelength Bin Table

Group	Bin	Min	Typ.	Max
B	3	440	----	445
	4	445	----	450
	5	450	----	455
	6	455	----	460
	7	460	----	465
	8	465	----	490
C	1	490	----	495
	2	495	----	500
	3	500	----	505
	4	505	----	510
	5	510	----	515
	6	515	----	520
G	1	520	----	525
	2	525	----	530
	3	530	----	535
	4	535	----	540
	5	540	----	545
	6	545	----	550

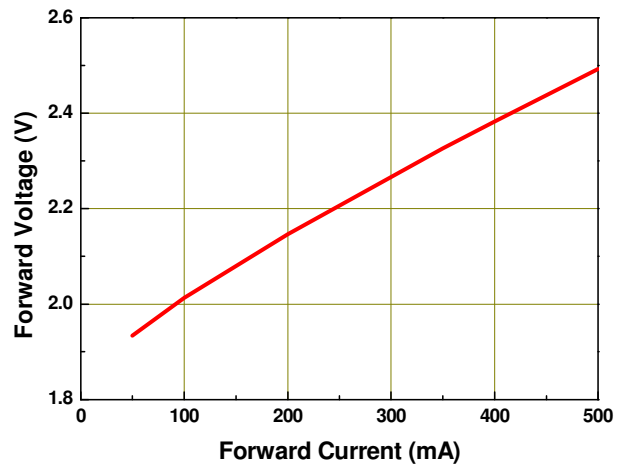
Group	Bin	Min	Typ.	Max
A	1	580	----	582.5
	2	582.5	----	585
	3	585	----	587.5
	4	587.5	----	590
	5	590	----	592.5
	6	592.5	----	610
R	3	610	----	615
	4	615	----	620
	5	620	----	625
	6	625	----	630
	7	630	----	635
	8	635	----	640

Typical Electro-Optical Characteristics Curves

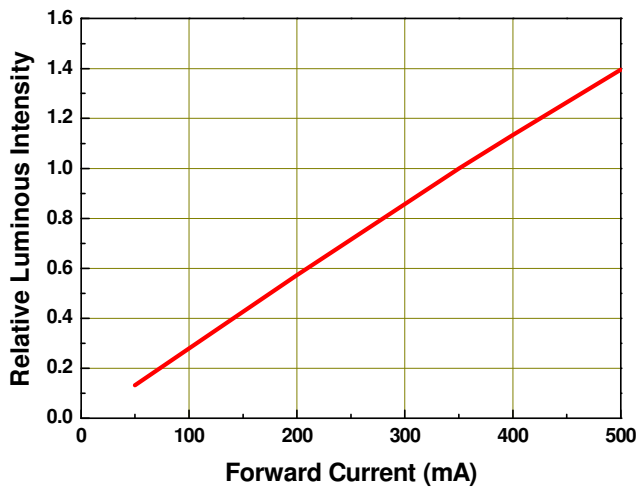
Relative Spectral Distribution,
 $I_F=350\text{mA}$, $T_{\text{Soldering}}=25^\circ\text{C}$



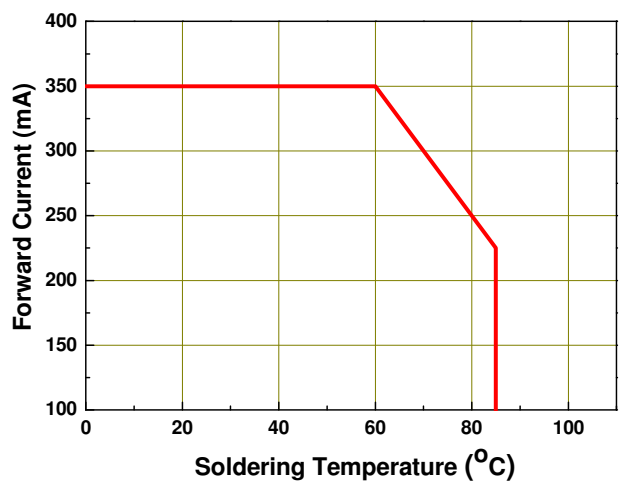
Forward Voltage vs. Forward Current,
 $T_{\text{Soldering}}=25^\circ\text{C}$



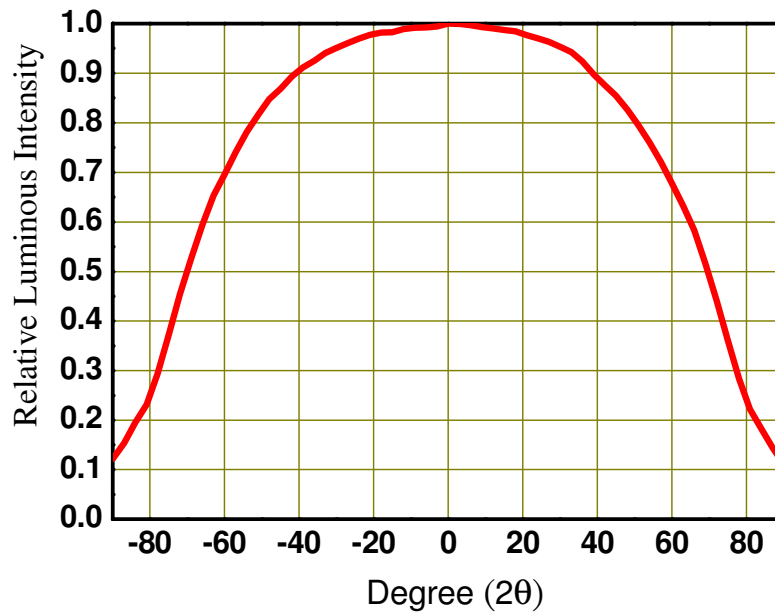
Relative Luminous Intensity vs. Forward Current, $T_{\text{Soldering}}=25^\circ\text{C}$



Forward Current Derating Curve,
Derating based on $T_{\text{MAX}}=125^\circ\text{C}$



Typical Representative Spatial Radiation Pattern



Note.

1. $2\theta_{1/2}$ is the off axis angle from lamp centerline where the luminous intensity is 1/2 of the peak value.
2. Viewing angle tolerance is $\pm 10^\circ$.

EHP-AX08EL/SUR01A-P01

High Power LED – 1 W



Label explanation

CPN: Customer's Production Number

P/N : Production Number

QTY: Packing Quantity

CAT: Rank of Luminous Flux

HUE: Color Rank

REF: Rank of Forward Voltage

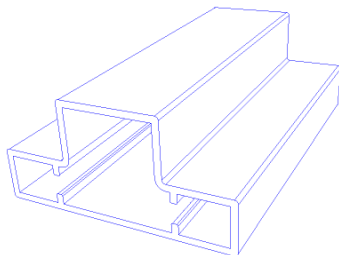
LOT No: Lot Number

MADE IN TAIWAN: Production Place

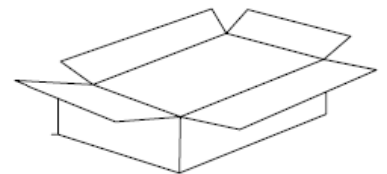


Tube Packing Specifications

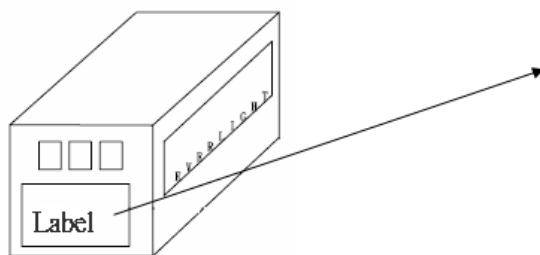
1. Tube



2. Inner Carton



3. Outside Carton



- **Packing Quantity**
 1. 50 Pcs / Per Tube
 2. 20 Tubes / Inner Carton
 3. 12 Inner Cartons / Outside Carton

Reliability Data

Stress Test	Stress Condition	Stress Duration
Reflow	Tsol=260°C, 10sec, 6min	3 times
Thermal Shock	H : +100°C 20min. ↓ 10sec. 'L : - 10°C 20min.	300 Cycles
Temperature Cycle	H : +85°C 30min. ↓ 5min. 'L : - 40°C 30min.	300 Cycles
High Temperature/Humidity Operation	Ta=85°C , RH=60%, IF=225mA	1000hours
Room Temperature Operation Life	Ta=25°C, IF=350mA	1000hours
High Temperature Operation Life #1	Ta=55°C, IF=350mA	1000hours
High Temperature Operation Life #2	Ta=85°C, IF=225mA	1000hours
Low Temperature Operation Life	Ta=-40°C, IF=350mA	1000hours

Failure Criteria:

1. LEDs are open or shorted
2. Im: luminous flux attenuate difference(1000hrs)>50%
3. VF: forward voltage difference(1000hrs)>20%

Precautions For Use

Over-current-proof

Although the EHP-AX08 series has a conductive ESD protection mechanism, customer must not use the device in reverse and should apply resistors for extra protection. Otherwise, slight voltage shifts may cause significant current change resulting in burn out failure.

1. Storage

- i. Do not open the moisture proof bag before the devices are ready to use.
- ii. Before the package is opened, LEDs should be stored at temperatures less than 30°C and humidity less than 50%.
- iii. LEDs may be stored for 6 months. When the storage time has reached more than 6 months, LEDs should be stored in a sealed container filled with the Nitrogen gas.
- iv. After the package is opened, LEDs should be stored at temperatures less than 30°C and humidity less than 30%.
- v. LEDs should be used within 168 hours (7 days) after the package is opened.
- vi. Before using LEDs, baking treatment should be implemented based on the following conditions: pre-curing at 60±5°C for 24 hours.

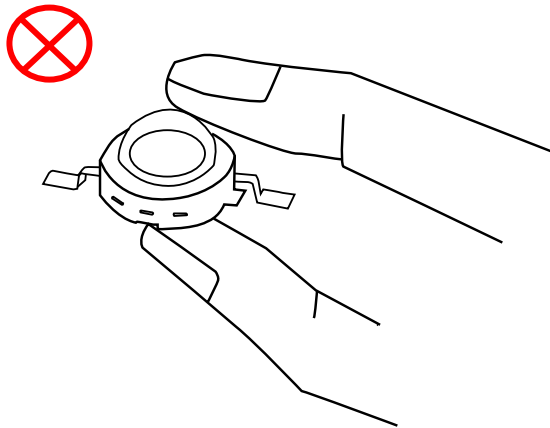
2. Thermal Management

- i. For maintaining the high flux output and achieving reliability, EHP-AX08 series LEDs should be mounted on a metal core printed circuit board (MCPCB) or other kinds of heat sink with proper thermal connection to dissipate approximately 1W of thermal energy at 350mA operation.
- ii. Heat dissipation or thermal conduction design is strongly recommended on PCB or MCPCB for reflow soldering purposes. Please refer to soldering patterns on Page 2.
- iii. Sufficient thermal management must be implemented. Please refer to the graph "Forward Current Derating Curve " on Page 7. The soldering temperature must be kept under 60°C at the driving current 350mA. Otherwise, the junction temperature of die may exceed over the limit at high current driving conditions and the LEDs' lifetime may be decrease dramatically.
- iv. Special thermal designs are also recommended to take in outer heat sink design, such as FR4 PCB on Aluminum with thermal vias or FPC on Aluminum with thermal conductive adhesive, etc.
- v. Sufficient thermal management must be conducted, or the die junction temperature will be over the limit under large electronic driving and LED lifetime will decrease critically

3. Proper Handling

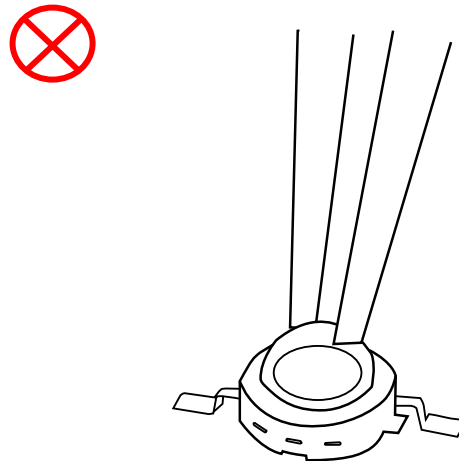
To avoid contamination of materials, damage of internal components, and shortening of LED lifetime, do not subject LEDs to conditions as those listed below.

Bare Hand



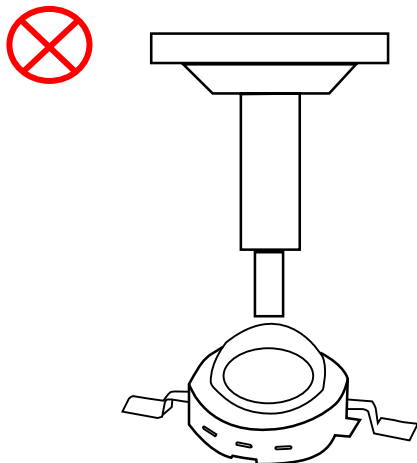
When handling the product, do not apply direct pressure on the resin.

Tweezers



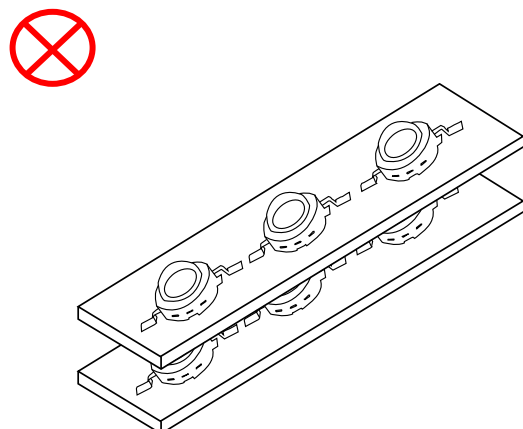
Do not touch the resin to avoid scratching or other damage.

Pick and Place Nozzle for Surface Mount Assembly.



Avoid directly contacting the lens with nozzle.

During Module Assembly

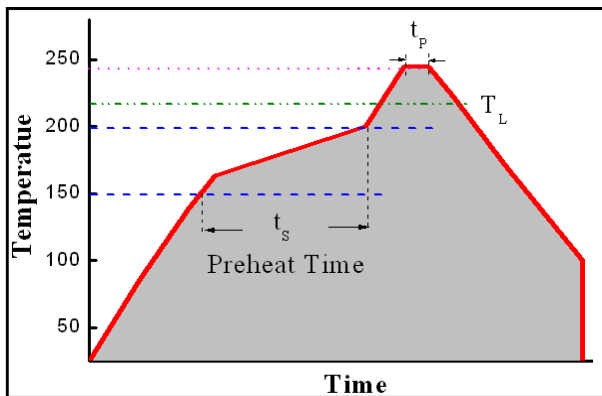


Do not stack the modules together, it could damage the resin or scratch the lens.

4. Soldering Iron

i. For Reflow Process

- a. EHP-AX08 series are suitable for SMT process.
- b. Curing of glue in oven according to standard operation flow processes.



Profile Feature	Lead Free Assembly
Ramp-Up Rate	2-3 °C/S
Preheat Temperature	150-200 °C
Preheat Time (ts)	60-120 S
Liquid Temperature (TL)	217 °C
Time maintained above TL	60-90 S
Peak Temperature (Tp)	240±5 °C
Peak Time (tp)	Max 20 S
Ramp-Down Rate	3-5 °C/S

- c. Reflow soldering should not be done more than twice.
- d. In soldering process, stress on the LEDs during heating should be avoided.
- e. After soldering, do not warp the circuit board.

ii. For Manual Soldering Process

- a. For prototype builds or small series production runs it is possible to place and solder the LED by hand.
- b. Dispense thermal conductive glue or grease on the substrates and follow its curing specifications. Gently press LED housing to closely connect LED and substrate.
- c. It is recommended to hand solder the leads with a solder tip temperature of 280°C for less than 3 second, at a time with a soldering iron of less than 25W. Solder at intervals of two seconds or more.
- d. Take caution and be aware that damaged products are often a result of improper hand soldering technique.

Revision History

Page	Subjects(major change in previous version)	Date of change
3,7	1. Revision DC Operating Current 2. T Ambient revision is T Soldering	2009/07/16
2,9	1. Change the map surface 2. Change Package Quantity	2009/10/08

■ Prepared date: 08-Oct-2009	■ Device No.: DHE-0000585
■ Created by: Jill Yen	■ Rev.: 3

For product information and a complete list of distributors, please go to our web site : www.everlight.com

Everlight Electronics Co., Ltd. and the logo are trademarks of Everlight Electronics Co., Ltd. in the Taiwan and other countries. Data subject to change.

Copyright © 2005-2009 Everlight Electronics Co., Ltd.. All rights reserved.