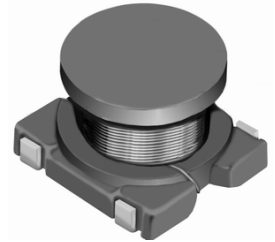
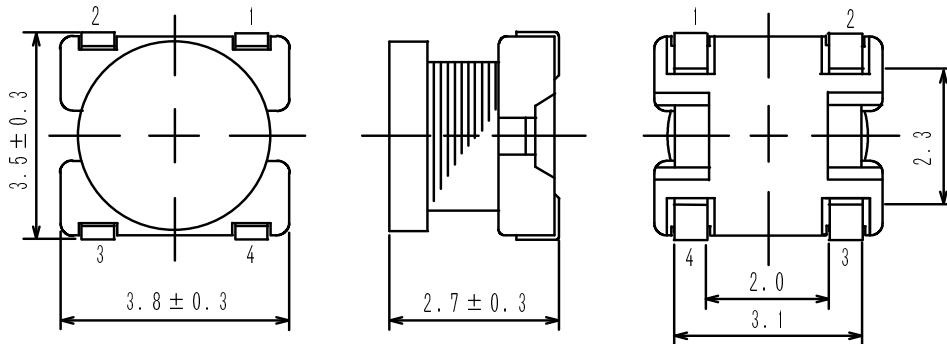
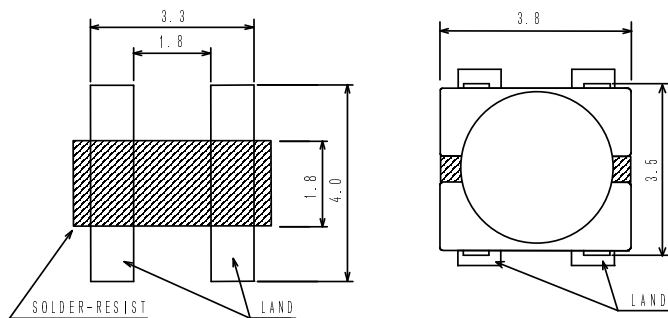
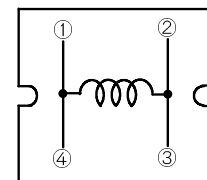


Type: CR32
◆ Product Description

- 4.1×3.8mm Max.(L×W), 3.0mm Max. Height.
- Inductance range: 1.0~390 μ H
- Rated current range: 0.115~2.1A
- In addition to the standard versions of inductors shown here, custom inductors are available to meet your exact requirements.


◆ Feature

- Magnetically unshielded construction.
- Storage temperature range: -40°C ~+100°C.
- Operating temperature range: -40°C ~+100°C (Including coil's self temperature rise).
- Ideally used in A/V equipment, LCD TV,DSC/DVC,Game Machine, DVC, HDD, Notebook PC, etc as DC-DC converter inductors.
- RoHS Compliance and Halogen Free.

◆ Dimensions (mm)

◆ Land Pattern (mm)

◆ Schematics (Bottom)


Type: CR32
◆ Specification

Part Name ※	Stamp	Inductance (μ H) ※ 1	D.C.R.(m Ω) [max.] at 20°C	Rated Current (mA) ※ 2
CR32NP-1R0M□	<u>A</u>	1.0 \pm 20%	72	2100
CR32NP-1R2M□	<u>B</u>	1.2 \pm 20%	78	1700
CR32NP-1R5M□	<u>C</u>	1.5 \pm 20%	85	1500
CR32NP-1R8M□	<u>D</u>	1.8 \pm 20%	91	1320
CR32NP-2R2M□	<u>E</u>	2.2 \pm 20%	104	1280
CR32NP-2R7M□	<u>F</u>	2.7 \pm 20%	111	1240
CR32NP-3R3M□	<u>G</u>	3.3 \pm 20%	137	1180
CR32NP-3R9M□	<u>H</u>	3.9 \pm 20%	143	1150
CR32NP-4R7M□	<u>J</u>	4.7 \pm 20%	170	1040
CR32NP-5R6M□	<u>K</u>	5.6 \pm 20%	176	1000
CR32NP-6R8M□	<u>L</u>	6.8 \pm 20%	202	880
CR32NP-7R4M□	<u>M</u>	7.4 \pm 20%	215	840
CR32NP-8R2M□	<u>N</u>	8.2 \pm 20%	228	780
CR32NP-100K□	A	10 \pm 10%	230	760
CR32NP-120K□	B	12 \pm 10%	270	685
CR32NP-150K□	C	15 \pm 10%	310	635
CR32NP-180K□	D	18 \pm 10%	410	525
CR32NP-220K□	E	22 \pm 10%	470	500
CR32NP-270K□	F	27 \pm 10%	660	405
CR32NP-330K□	G	33 \pm 10%	760	380
CR32NP-390K□	H	39 \pm 10%	850	355
CR32NP-470K□	J	47 \pm 10%	970	330
CR32NP-560K□	K	56 \pm 10%	1250	290
CR32NP-680K□	L	68 \pm 10%	1450	275
CR32NP-820K□	M	82 \pm 10%	1850	235
CR32NP-101K□	N	100 \pm 10%	2200	220
CR32NP-121K□	P	120 \pm 10%	2900	185
CR32NP-151K□	Q	150 \pm 10%	3400	170
CR32NP-181K□	R	180 \pm 10%	3900	165
CR32NP-221K□	S	220 \pm 10%	4500	155
CR32NP-271K□	T	270 \pm 10%	6000	135
CR32NP-331K□	U	330 \pm 10%	7000	125
CR32NP-391K□	V	390 \pm 10%	7800	115

Please refer to the sales offices on our website for a representative near you

Type: CR32
※ Description of part name

CR32NP-1R0M□
 └── B Box
 └── C Carrier Tape

※1. Measuring frequency: $1.0 \mu\text{H} \sim 8.2 \mu\text{H}$; at 7.96 MHz
 $10 \mu\text{H} \sim 390 \mu\text{H}$; at 100 kHz

※2. Rated current: The D.C. current at which the inductance decreases to 90% of its initial value or when $\Delta t=40^\circ\text{C}$, whichever is lower ($T_a=20^\circ\text{C}$).