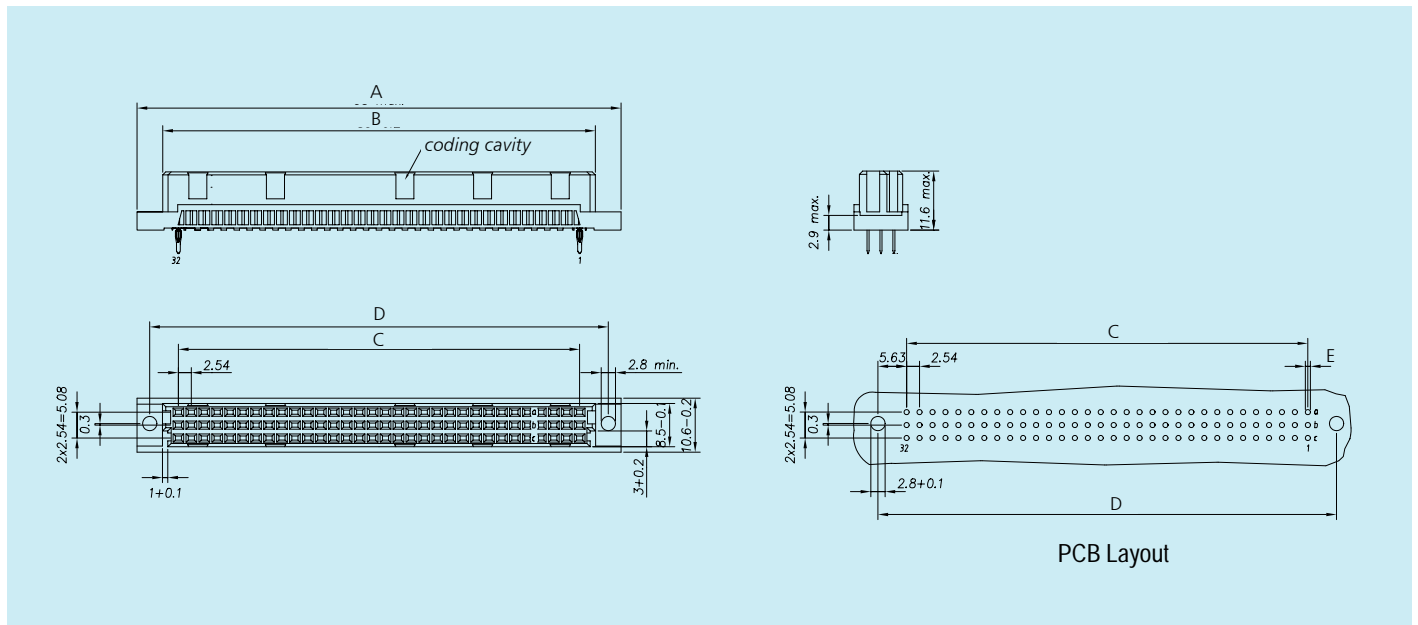
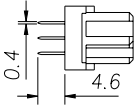
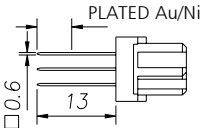


Female Connectors

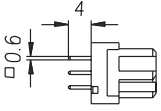
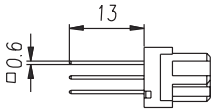


Termination	Terminal	Plating Class	Shell Style	Contact Loading Pattern	Dimensions					Ordering Code
					A	B	C	D	E	
	Pressfit	DIN 2	C1	96 way fully loaded	95,0 max	85,0 max	78,74	90,0 ±0,1	1,0 +0,09 -0,06	CDR7C1F96TP2M-DIN2
			C1	64 way rows a & c	95,0 max	85,0 max	78,74	90,0 ±0,1	1,0 +0,09 -0,06	CDR7C1F64TP2M-004-DIN2
			C2	48 way fully loaded	55,0 max	44,4 max	38,1	49,36 ±0,1	1,0 +0,09 -0,06	CDR7C2F48TP2M-DIN2
			C2	32 way rows a & c	55,0 max	44,4 max	38,1	49,36 ±0,1	1,0 +0,09 -0,06	CDR7C2F32TP2M-004-DIN2
			C3	30 way fully loaded	39,0 max	29,2 max	22,86	34,0 ±0,1	1,0 +0,09 -0,06	CDR7C3F30TP2M-DIN2
			C3	30 way fully loaded	39,0 max	29,2 max	22,86	34,0 ±0,1	1,0 +0,09 -0,06	CDR7C3F30TP5M-DIN2
	Pressfit	DIN 2	C1	96 way fully loaded	95,0 max	85,0 max	78,74	90,0 ±0,1	1,0 +0,09 -0,06	CDR7C1F96TP5M-DIN2
			C1	64 way rows a & c	95,0 max	85,0 max	78,74	90,0 ±0,1	1,0 +0,09 -0,06	CDR7C1F64TP5M-004-DIN2
			C2	48 way fully loaded	55,0 max	44,4 max	38,1	49,36 ±0,1	1,0 +0,09 -0,06	CDR7C2F48TP5M-DIN2
			C2	32 way rows a & c	55,0 max	44,4 max	38,1	49,36 ±0,1	1,0 +0,09 -0,06	CDR7C2F32TP5M-004-DIN2
			C3	30 way fully loaded	39,0 max	29,2 max	22,86	34,0 ±0,1	1,0 +0,09 -0,06	CDR7C3F30TP5M-DIN2
			C3	30 way fully loaded	39,0 max	29,2 max	22,86	34,0 ±0,1	1,0 +0,09 -0,06	CDR7C3F30TP5M-DIN2

Pressfit insertion die required.
all shell styles: 886900

(Continued on next page)

Female Connectors (continued)

Termination	Terminal	Plating Class	Shell Style	Contact Loading Pattern	Dimensions					Ordering Code
					A	B	C	D	E	
	Solder	DIN 2	C1 (3 x 32)	96 way fully loaded	95,0 max	85,0 max	78,74	90,0 ±0,1	1,0 ±0,1	CDR7C1F96TS4M-DIN2
			C1 (3 x 32)	64 way rows a & c	95,0 max	85,0 max	78,74	90,0 ±0,1	1,0 ±0,1	CDR7C1F64TS4M-004-DIN2
			C2 (3 x 16)	48 way fully loaded	55,0 max	44,4 max	38,1	49,36 ±0,1	1,0 ±0,1	CDR7C2F48TS4M-DIN2
			C2 (3 x 16)	32 way rows a & c	55,0 max	44,4 max	38,1	49,36 ±0,1	1,0 ±0,1	CDR7C2F32TS4M-004-DIN2
			C3 (3 x 10)	30 way fully loaded	39,0 max	29,2 max	22,86	34,0 ±0,1	1,0 ±0,1	CDR7C3F30TS4M-DIN2
			C1 (3 x 32)	96 way fully loaded	95,0 max	85,0 max	78,74	90,0 ±0,1	1,0 ±0,1	CDR7C1F96TS8M-DIN2
			C1 (3 x 32)	64 way rows a & c	95,0 max	85,0 max	78,74	90,0 ±0,1	1,0 ±0,1	CDR7C1F64TS8M-004-DIN2
			C2 (3 x 16)	48 way fully loaded	55,0 max	44,4 max	38,1	49,36 ±0,1	1,0 ±0,1	CDR7C2F48TS8M-DIN2
			C2 (3 x 16)	32 way rows a & c	55,0 max	44,4 max	38,1	49,36 ±0,1	1,0 ±0,1	CDR7C2F32TS8M-004-DIN2
			C3 (3 x 10)	30 way fully loaded	39,0 max	29,2 max	22,86	34,0 ±0,1	1,0 ±0,1	CDR7C3F30TS8M-DIN2
	Solder	DIN 2	C1 (3 x 32)	96 way fully loaded	95,0 max	85,0 max	78,74	90,0 ±0,1	1,0 ±0,1	CDR7C1F96TS8M-DIN2
			C1 (3 x 32)	64 way rows a & c	95,0 max	85,0 max	78,74	90,0 ±0,1	1,0 ±0,1	CDR7C1F64TS8M-004-DIN2
			C2 (3 x 16)	48 way fully loaded	55,0 max	44,4 max	38,1	49,36 ±0,1	1,0 ±0,1	CDR7C2F48TS8M-DIN2
			C2 (3 x 16)	32 way rows a & c	55,0 max	44,4 max	38,1	49,36 ±0,1	1,0 ±0,1	CDR7C2F32TS8M-004-DIN2
			C3 (3 x 10)	30 way fully loaded	39,0 max	29,2 max	22,86	34,0 ±0,1	1,0 ±0,1	CDR7C3F30TS8M-DIN2

For class 1 or class 3 contact plating and for alternative loading patterns please consult Cannon Sales Department.

17mm wirewrap tails also available.