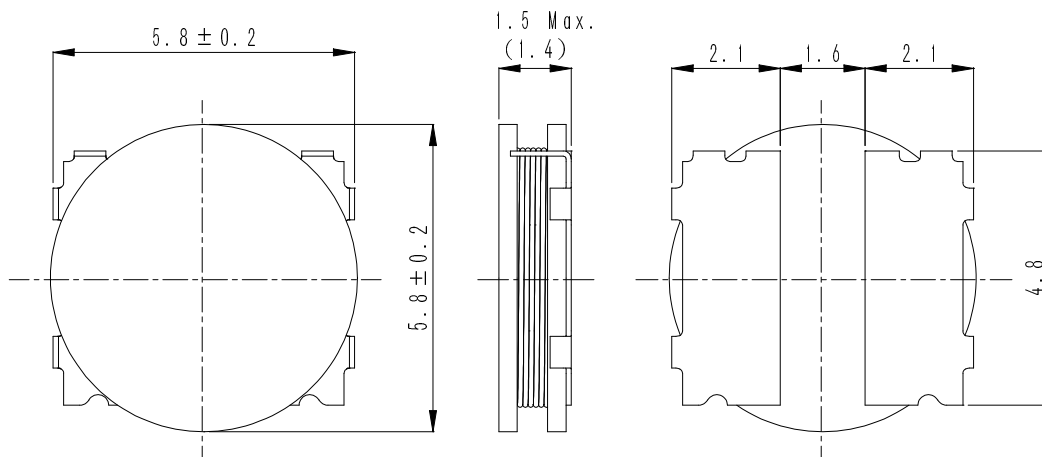
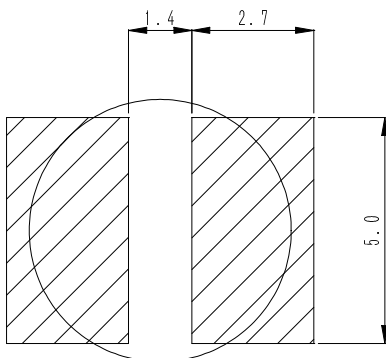
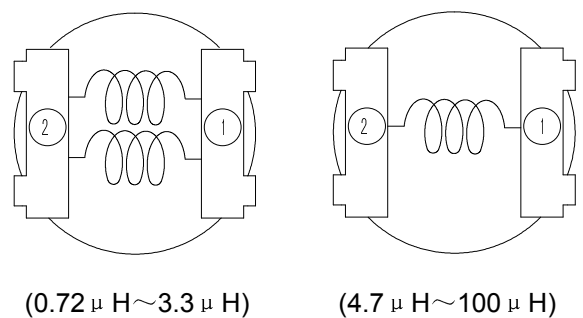


Type: CDH5D14
◆ Product Description

- 6.0×6.0mm Max.(L×W), 1.5mm Max. Height.
- Inductance range: 0.72~100 μ H.
- Rated current range: 0.32~3.9A.
- Custom design is available.


◆ Feature

- Magnetically unshielded construction.
- Ideally used PDA,MP3,DSC/DVC etc as DC-DC Converter inductors.
- RoHS Compliance.

◆ Dimensions (mm)

◆ Land Pattern (mm)

◆ Schematics (Bottom)


Type: CDH5D14
◆ Specification

Part Name ※	Stamp	Inductance (μ H) 100kHz/1V	D.C.R.(m Ω) (20°C)	Saturation Current (A) ※1	Temperature Rise Current (A) ※2
CDH5D14NP-R72M□-A	R72	0.72±20%	18±20%	3.90	4.10
CDH5D14NP-1R1M□-A	1R1	1.1±20%	23±20%	3.20	3.80
CDH5D14NP-1R6M□-A	1R6	1.6±20%	29±20%	2.65	3.60
CDH5D14NP-2R2M□-A	2R2	2.2±20%	32±20%	2.30	3.40
CDH5D14NP-2R7M□-A	2R7	2.7±20%	42±20%	2.10	2.90
CDH5D14NP-3R3M□-A	3R3	3.3±20%	46±20%	1.90	2.80
CDH5D14NP-4R7M□-A	4R7	4.7±20%	62±20%	1.60	2.40
CDH5D14NP-5R9M□-A	5R9	5.9±20%	76±20%	1.45	2.15
CDH5D14NP-7R5M□-A	7R5	7.5±20%	100±20%	1.30	1.95
CDH5D14NP-8R5M□-A	8R5	8.5±20%	110±20%	1.20	1.90
CDH5D14NP-100M□-A	100	10±20%	118±20%	1.10	1.75
CDH5D14NP-120M□-A	120	12±20%	160±20%	1.00	1.27
CDH5D14NP-150M□-A	150	15±20%	185±20%	0.90	1.22
CDH5D14NP-180M□-A	180	18±20%	240±20%	0.80	1.08
CDH5D14NP-220M□-A	220	22±20%	275±20%	0.72	1.03
CDH5D14NP-270M□-A	270	27±20%	320±20%	0.64	0.93
CDH5D14NP-330M□-A	330	33±20%	410±20%	0.60	0.78
CDH5D14NP-390M□-A	390	39±20%	475±20%	0.56	0.74
CDH5D14NP-470M□-A	470	47±20%	635±20%	0.48	0.58
CDH5D14NP-560M□-A	560	56±20%	740±20%	0.43	0.56
CDH5D14NP-680M□-A	680	68±20%	825±20%	0.40	0.54
CDH5D14NP-820M□-A	820	82±20%	980±20%	0.36	0.46
CDH5D14NP-101M□-A	101	100±20%	1130±20%	0.32	0.44

※ Description of part name

CDH5D14NP-R72M□-A



B: Box

C: Carrier Tape

※1.Saturation Current: The DC current at which the inductance decreases to 70% of its nominal value.

 ※2.Temperature rise current: The DC current at which the temperature rise is $\Delta t=40^{\circ}\text{C}$ ($T_a=20^{\circ}\text{C}$).