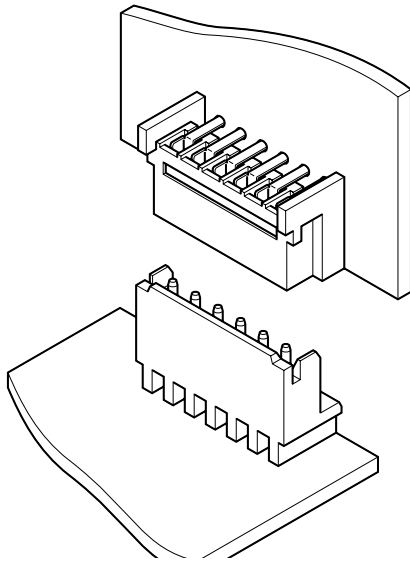


# MQ CONNECTOR

## 2.0mm pitch/Board-to-board connectors



**Measuring 2.0mm in pitch, 9.2mm in mounting height and 5.5mm in thickness, this board-to-board connector makes high-density mounting of components in electronic products possible. It is ideal for small electronic products, such as portable VCRs and video cameras, which require high-density mounting and high reliability.**

- Back-up support spring construction
- Easy insertion
- Board retention feature

### Specifications

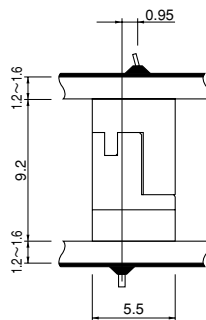
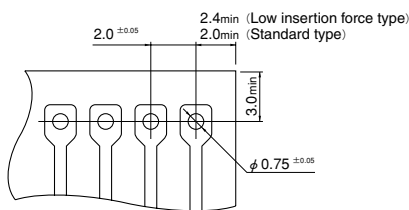
- Current rating: 1.0A AC, DC
- Voltage rating: 250V AC, DC
- Temperature range:  $-25^{\circ}\text{C}$  to  $+85^{\circ}\text{C}$   
(including temperature rise in applying electrical current)
- Contact resistance: Initial value/10m  $\Omega$  max.  
After environmental testing/20m  $\Omega$  max.
- Insulation resistance: 1,000M  $\Omega$  min.
- Withstanding voltage: 800V AC/minute
- Applicable PC board thickness: 1.2 to 1.6mm
- \* Compliant with RoHS.
- \* Refer to "General Instruction and Notice when using Terminals and Connectors" at the end of this catalog.
- \* Contact JST for details.

### Standards

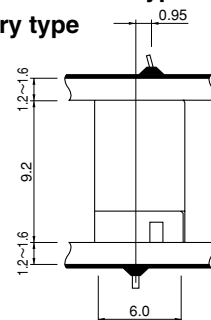
- Ⓜ Recognized E60389
- Ⓢ Certified LR20812

### PC board layout (viewed from soldering side) and Assembly layout

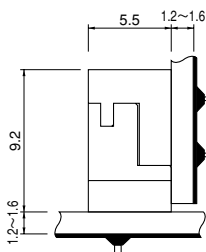
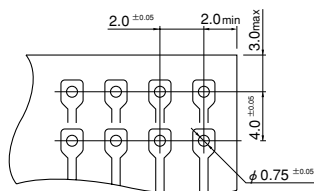
#### Top entry type



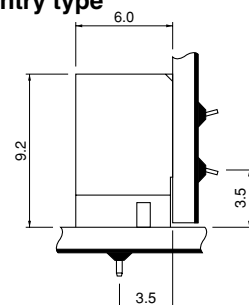
#### Low insertion force type Top entry type



#### Side entry type



#### Low insertion force type Side entry type



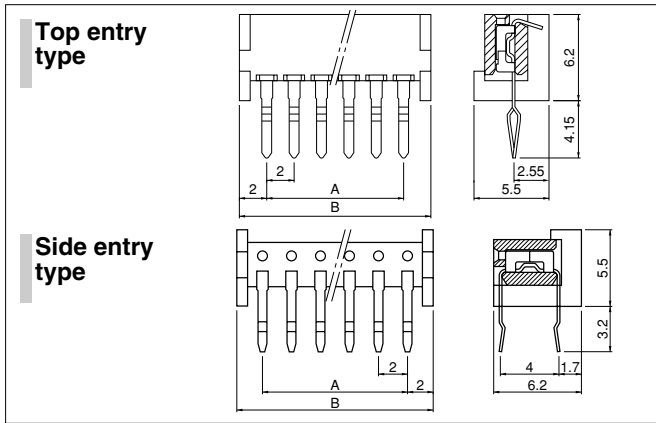
Note: 1. The PC board layout of the header is identical to that of the top entry receptacle.

2. Tolerances are non-cumulative:  $\pm 0.05\text{mm}$  for all centers.

3. Hole dimensions differ according to the kind of PC board and piercing method. The dimensions above should serve as a guideline. Contact JST for details.

# MQ CONNECTOR

## Receptacle



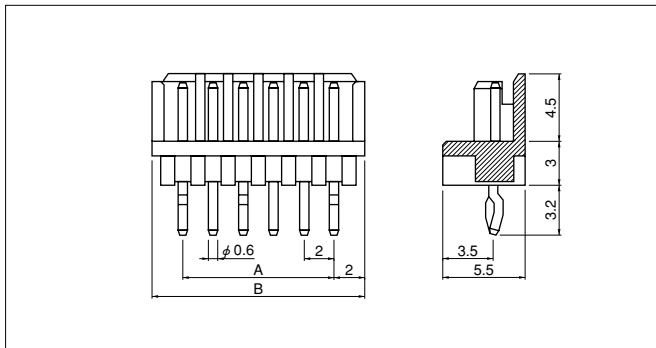
Circuits	Model No.		Dimensions (mm)		Q'ty / box	
	Top entry type	Side entry type	A	B	Top entry type	Side entry type
5	<b>05MQ-BT</b>	<b>05MQ-ST</b>	8.0	12.0	500	500
6	<b>06MQ-BT</b>	<b>06MQ-ST</b>	10.0	14.0	500	500
7	<b>07MQ-BT</b>	<b>07MQ-ST</b>	12.0	16.0	500	500
8	<b>08MQ-BT</b>	<b>08MQ-ST</b>	14.0	18.0	500	250
9	<b>09MQ-BT</b>	<b>09MQ-ST</b>	16.0	20.0	500	250
10	<b>10MQ-BT</b>	<b>10MQ-ST</b>	18.0	22.0	250	250
12	<b>12MQ-BT</b>	<b>12MQ-ST</b>	22.0	26.0	250	250

### Material and Finish

Contact: Phosphor bronze, tin-plated (reflow treatment)  
Housing: PA 66, UL94V-0, natural

**RoHS compliance**

## Shrouded header



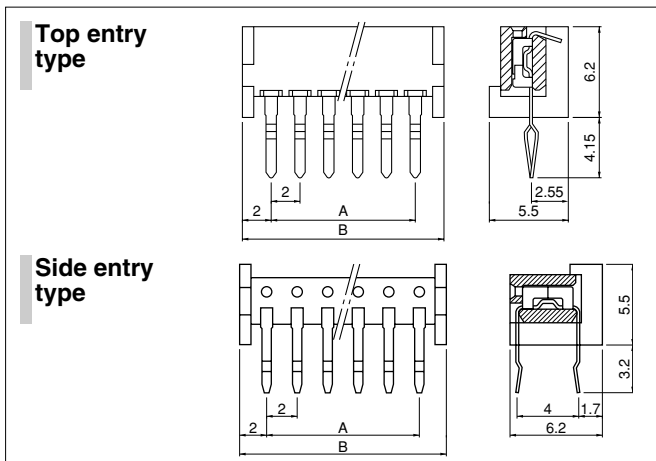
Circuits	Model No.	Dimensions (mm)		Q'ty / box
		A	B	
5	<b>B5P-MQ</b>	8.0	12.0	500
6	<b>B6P-MQ</b>	10.0	14.0	500
7	<b>B7P-MQ</b>	12.0	16.0	500
8	<b>B8P-MQ</b>	14.0	18.0	500
9	<b>B9P-MQ</b>	16.0	20.0	500
10	<b>B10P-MQ</b>	18.0	22.0	250
12	<b>B12P-MQ</b>	22.0	26.0	200

### Material and Finish

Pin: Brass, copper-undercoated, tin-plated (reflow treatment)  
Wafer: PA 66, UL94V-0, natural

**RoHS compliance** This product displays (LF)(SN) on a label.

## Low insertion force type Receptacle



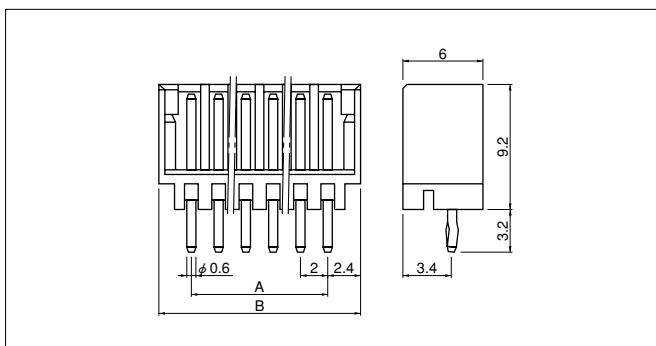
Circuits	Model No.		Dimensions (mm)		Q'ty / box	
	Top entry type	Side entry type	A	B	Top entry type	Side entry type
4	<b>04MQ-BT-L</b>	<b>04MQ-ST-L</b>	6.0	10.0	500	500
5	<b>05MQ-BT-L</b>	<b>05MQ-ST-L</b>	8.0	12.0	500	500
6	<b>06MQ-BT-L</b>	<b>06MQ-ST-L</b>	10.0	14.0	500	500
7	<b>07MQ-BT-L</b>	<b>07MQ-ST-L</b>	12.0	16.0	500	500
8	<b>08MQ-BT-L</b>	<b>08MQ-ST-L</b>	14.0	18.0	500	250
9	<b>09MQ-BT-L</b>	<b>09MQ-ST-L</b>	16.0	20.0	500	250
10	<b>10MQ-BT-L</b>	<b>10MQ-ST-L</b>	18.0	22.0	250	250
12	<b>12MQ-BT-L</b>	<b>12MQ-ST-L</b>	22.0	26.0	250	250

### Material and Finish

Contact: Phosphor bronze, tin-plated (reflow treatment)  
Housing: PA 66, UL94V-0

**RoHS compliance**

## Low insertion force type Shrouded header



Circuits	Model No.	Dimensions (mm)		Q'ty / box
		A	B	
4	<b>B4P-MQ-C</b>	6.0	10.8	500
5	<b>B5P-MQ-C</b>	8.0	12.8	500
6	<b>B6P-MQ-C</b>	10.0	14.8	500
7	<b>B7P-MQ-C</b>	12.0	16.8	250
8	<b>B8P-MQ-C</b>	14.0	18.8	250
9	<b>B9P-MQ-C</b>	16.0	20.8	250
10	<b>B10P-MQ-C</b>	18.0	22.8	250
12	<b>B12P-MQ-C</b>	22.0	26.8	200

### Material and Finish

Pin: Brass, copper-undercoated, tin-plated (reflow treatment)  
Wafer: PA 66, UL94V-0

**RoHS compliance** This product displays (LF)(SN) on a label.