

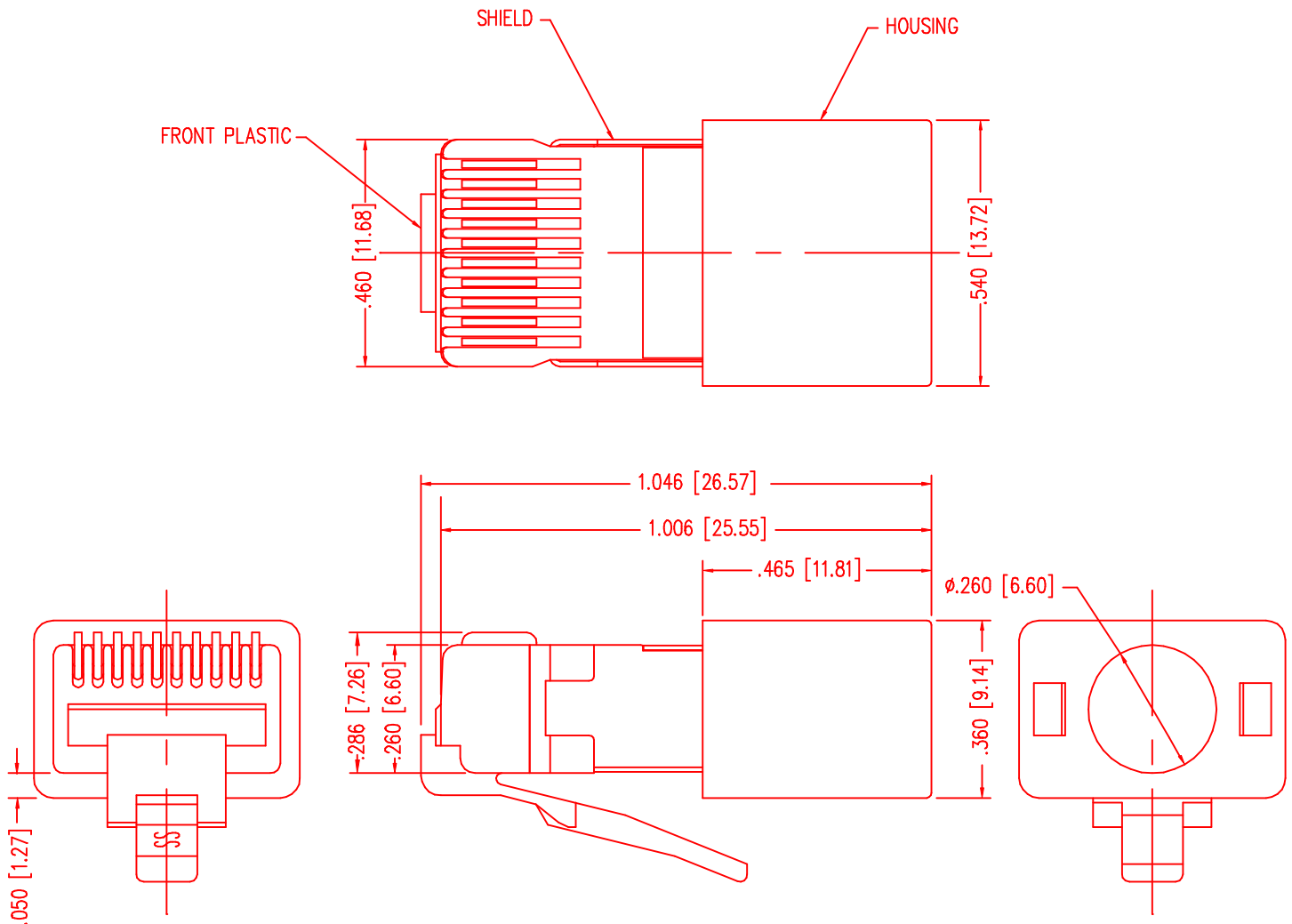
# STEWART CONNECTOR

R.D. 2, BOX 2020 GLEN ROCK, PENNSYLVANIA 17327

P.N. 937-SP-361010-A108  
10 X 10 SHIELDED PLUG

CONSISTING OF:

PRE-INSERTED FRONT & SHIELD ASSY.- P.N. 937-SP-361010-FS  
HOUSING- P.N. 361010-H-A108  
LOAD BAR- P.N. 361010-LB  
FERRULE- P.N. F-235-205-L  
CONTACT- SEE NOTE



#### NOTES:

- TOLERANCES COMPLY WITH F.C.C. DIMENSION REQUIREMENTS.  
ALL OTHERS  $\pm .003 [0.08]$  UNLESS OTHERWISE SPECIFIED.
- DIMENSIONS NOT SHOWN COMPLY WITH F.C.C. REQUIREMENTS
- 937 FOR TINSEL CONDUCTOR
- "A108" IN PART NUMBER DESIGNATES A .465 HOUSING LENGTH