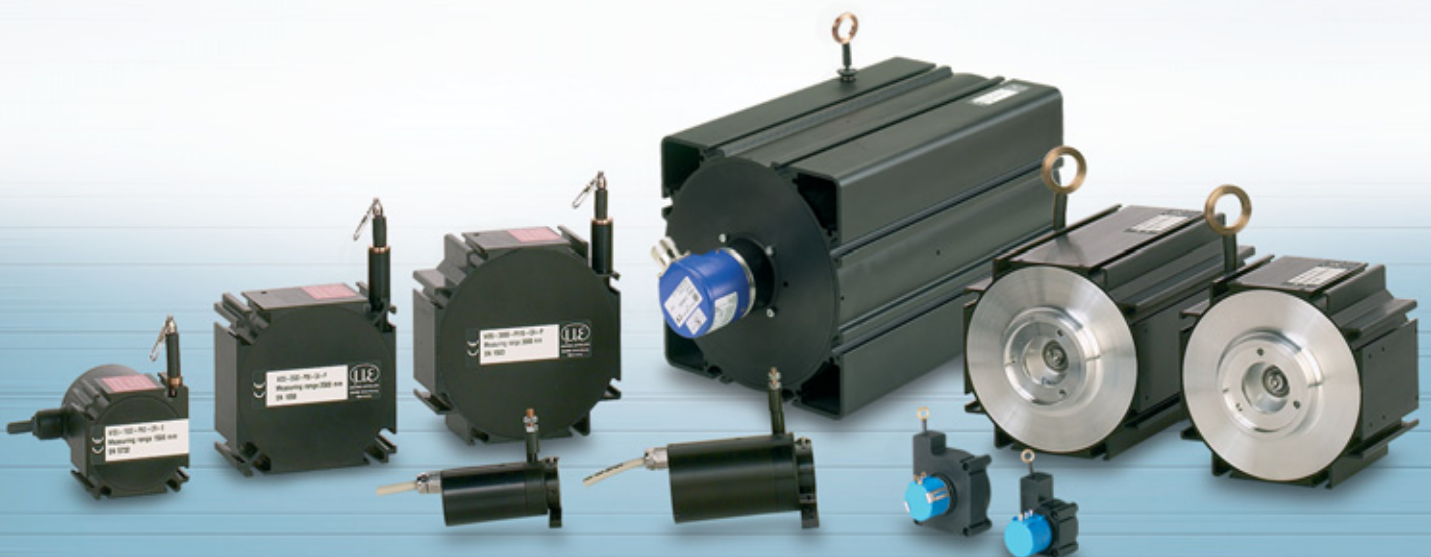
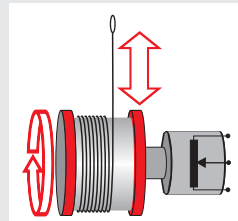




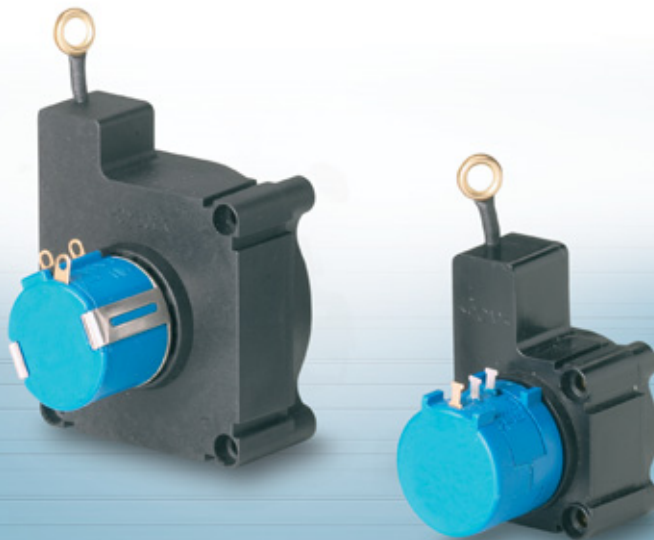
# More Precision.

**wire****SENSOR**

Draw wire sensors / CET / String pots



## wireSENSOR Series MK30 / MK46

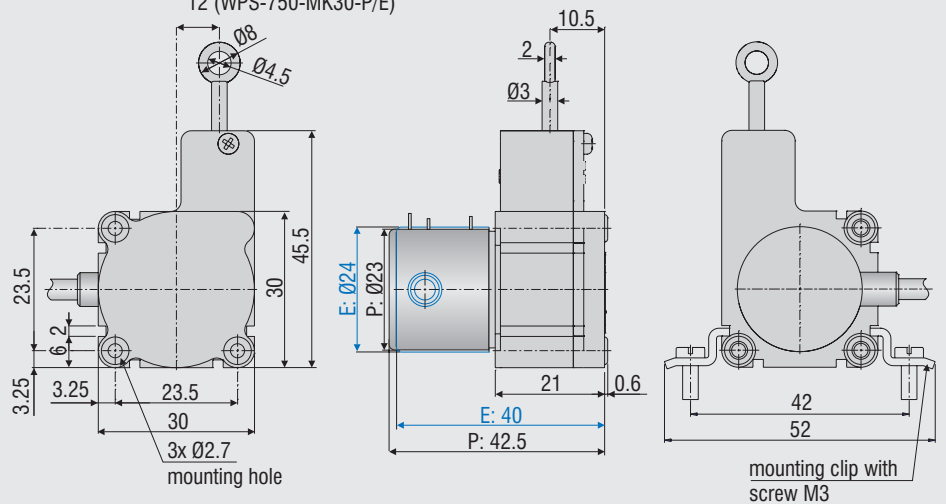


Low cost high volume model  
Potentiometric or incremental output  
Customized versions  
Smallest design in its class

Sensors of the WPS series are used in high volume applications. Due to the favorable price and the compact sensor size, new possibilities in machine design and cost optimization are available to the user. The wide range of models offers the best fit for individual and customized applications. Various measurement ranges, output interfaces and accuracy classes can be selected within this series.

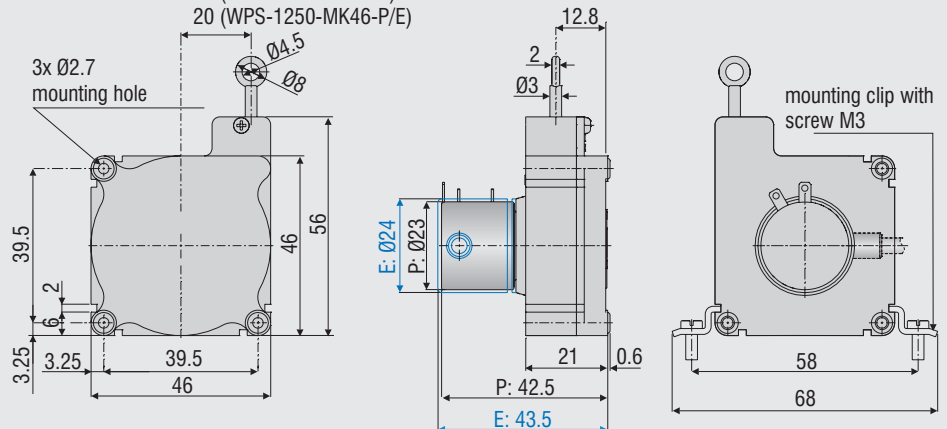
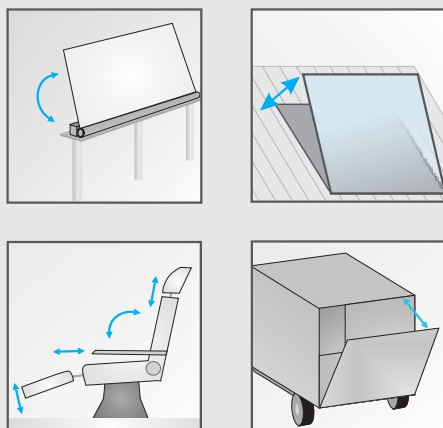
### Model MK30

8 (WPS-500-MK30-P/E)  
12 (WPS-750-MK30-P/E)



### Model MK46

18 (WPS-1000-MK46-P)  
20 (WPS-1250-MK46-P/E)



Dimensions in mm, not to scale. Please ask for detailed reference drawings.

		WPS-50 MK30	WPS-150 MK30	WPS-250 MK30	WPS-500 MK30	WPS-750 MK30	WPS-1000 MK46	WPS-1250 MK46	
Output		P	P	P	P/E	P/E	P	P/E	
Measuring range		50 mm	150 mm	250 mm	500 mm	750 mm	1000 mm	1250 mm	
Linearity	wire pot.	±0.5 % FSO	0.25 mm	-	-	-	-	-	
	wire pot.	±0.25 % FSO	-	0.375 mm	0.625 mm	1.25 mm	1.87 mm	2.5 mm	
	hybrid pot.	±0.1 % FSO	-	-	0.25 mm	0.5 mm	0.75 mm	1 mm	
	encoder	±0.05 % FSO	-	-	-	0.25 mm	0.375 mm	-	
Resolution	encoder	-	-	-	10 pulses/mm	6.7 pulses/mm	-	4 pulses/mm	
	wire pot.	-	-	-	0.1 mm	0.15 mm	-	0.25 mm	
	wire pot.	0.1 mm	0.1 mm	0.1 mm	0.15 mm	0.2 mm	0.3 mm	0.4 mm	
	hybrid pot.	quasi infinite							
Sensor element	wire- / hybrid-potentiometer or incremental encoder								
Temperature range	-20 ... +80 °C								
Material	housing	plastic							
	draw wire	coated polyamid stainless steel (ø 0.36 mm)							
Wire mounting	eyelet								
Sensor mounting	mounting holes / mounting grooves								
Wire acceleration	appr. 5 g								
Wire retraction force (min)	appr. 1 N								
Wire extension force (max)	appr. 2.5 N						1.6 N	1.5 N	
Protection class DIN EN 60529	P	IP 20							
	E	IP54							
Electrical connection	P	soldering tag							
	E	cable radial, 1 m							
Weight	P	appr. 45 g					appr. 80 g		
	E	appr. 80 g					appr. 120 g		

FSO = Full Scale Output

Specifications for analog and digital outputs on page 27 and continuing

## Article description

WPS- 750 - MK30 - P25

↑  
Measuring range in mm

↑  
Modell MK30  
MK46

↑  
Output option potentiometer P50 (linearity ±0.5 % FSO)  
potentiometer P25 (linearity ±0.25 % FSO)  
potentiometer P10 (linearity ±0.1 % FSO)  
encoder E (5 ... 24 VDC)  
encoder E830 (8 ... 30 VDC)

# More Precision.

## [www.micro-epsilon.com](http://www.micro-epsilon.com)

### Sensors and systems

for displacement, position and dimension

### Sensors and measurement devices

for non-contact temperature measurement

### Measurement systems

for online/offline quality control

#### **MICRO-EPSILON Headquarters**

Koenigbacher Str. 15 · 94496 Ortenburg / Germany  
Tel. +49 (0) 8542 / 168-0 · Fax +49 (0) 8542 / 168-90  
[info@micro-epsilon.com](mailto:info@micro-epsilon.com)

#### **MICRO-EPSILON UK Ltd.**

Dorset House, West Derby Road · Liverpool, L6 4BR  
Phone +44 (0) 151 260 9800 · Fax +44 (0) 151 261 2480  
[info@micro-epsilon.co.uk](mailto:info@micro-epsilon.co.uk)

#### **MICRO-EPSILON USA**

8120 Brownleigh Dr. · Raleigh, NC 27617 / USA  
Phone +1/919/787-9707 · Fax +1/919/787-9706  
[info@micro-epsilon.us](mailto:info@micro-epsilon.us)

