



Preliminary Technical Data Sheet **SL-PAR30 LED Lamp series**



Features

- No UV or IR light radiation
- Provide 20°, 30° and 50° beam angles.
- Optional Triac dimming function
- Optimized heat fins with sleek design
- Current controlled LED driver integrated on PCB
- Operation temperature:-20°C~40°C
- Long lifetime: 40000 hours(L₇₀)
- E26 / E27 screw mount cap

Typical Applications

- Indoor Lighting
- Architectural Lighting
- Amusement Park Accenting

Product Specification

Parameter	Description
Lens	PC
Housing	Die Casting Aluminum
Cap	E26 / E27 screw cap
Power Input	Non Dimming : 100~240 VAC Two options for Triac Dimming : 100~120 VAC Input 220~240 VAC Input
Power Efficacy	80%
Power Consumption	12W(Triac Dimming) 11W (Non Dimming)
Power Factor	100V AC/60Hz, PF≥0.7 220V AC/50Hz, PF≥0.7
Optimized Body Temperature @25°C	55°C
Operation Temperature	-20°C~40°C
Storage Temperature	-30°C~80°C
Weight	410g



Preliminary Technical Data Sheet **SL-PAR30 LED Lamp series**

Coding of part number:

SL – PAR30 / B / P12 / 20 / E30 / TD / 27 / HAC
1 2 3 4 5 6 7 8

1. Product series

SL-PAR30: PAR30 Series

2. LED Type

B: Everlight HP B LED

3. Power Consumption

P12: 12W (Triac Dimming)

P11: 11W (No Dimming)

4. Beam Angle

20: 20 Degree

30: 30 Degree

50: 50 Degree

5. Correlated Color Temperature

E50: ANSI C78 5000K

E30: ANSI C78 3000K

6. DimmingControl

TD: Triac Dimming

ND: No Dimming

7. Lamp-holder

26: E26 Cap

27: E27 Cap

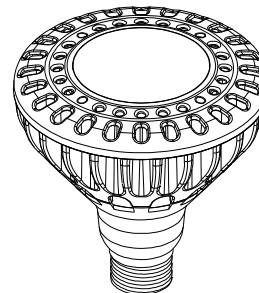
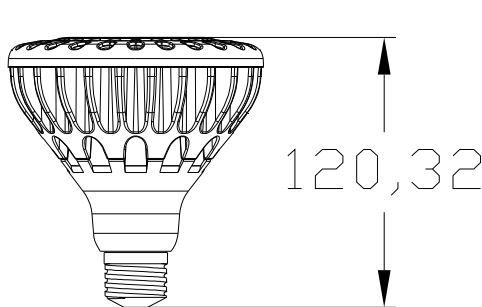
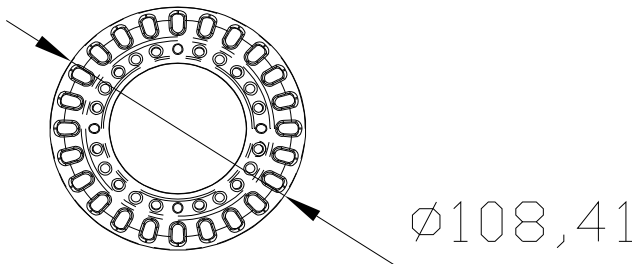
8. Input Voltage

LAC: 100~120VAC

HAC: 220~240VAC

UNI : Universal 100~240 VAC

Product Dimensions



- Notes: 1. Dimensions are in millimeters
- 2. Tolerances unless dimensions $\pm 0.5\text{mm}$

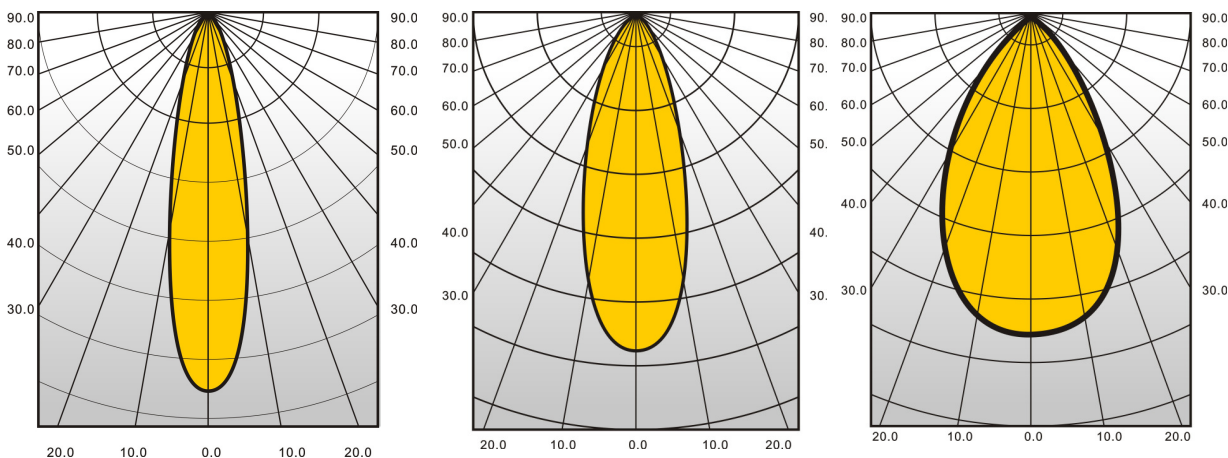
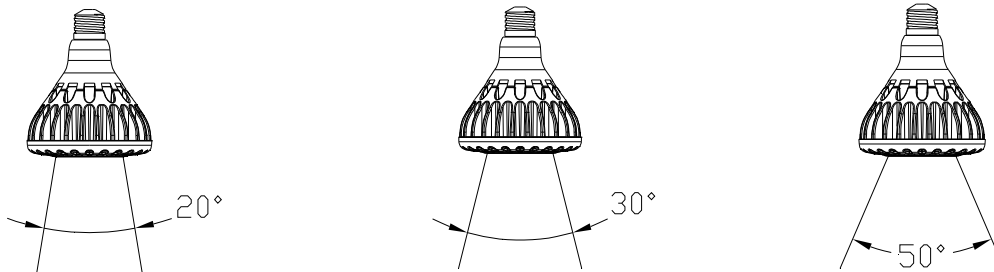


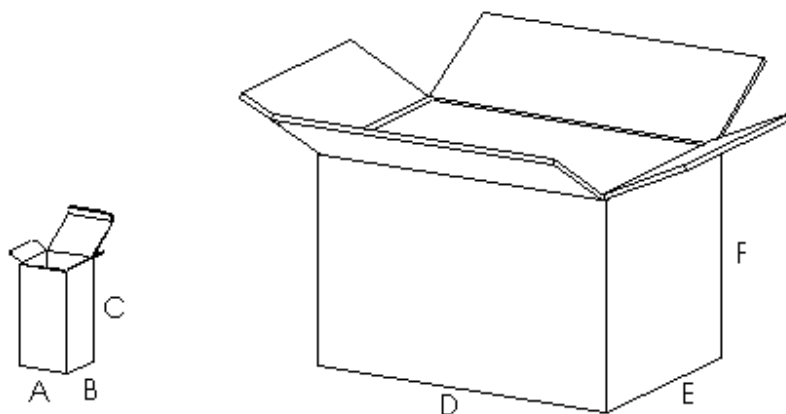
SL-PAR30 LED Lamp series

Luminance and Technical Data

Model	Beam Angle	CCT	lm	cd
SL-PAR30/B/P12/20/E50/TD Series	20°	5000K	650	2400
SL-PAR30/B/P11/20/E50/ND Series				
SL-PAR30/B/P12/20/E30/TD Series	20°	3000K	475	1600
SL-PAR30/B/P11/20/E30/ND Series				
SL-PAR30/B/P12/30/E50/TD Series	30°	5000K	660	1600
SL-PAR30/B/P11/30/E50/ND Series				
SL-PAR30/B/P12/30/E30/TD Series	30°	3000K	485	990
SL-PAR30/B/P11/30/E30/ND Series				
SL-PAR30/B/P12/50/E50/TD Series	50°	5000K	665	800
SL-PAR30/B/P11/50/E50/ND Series				
SL-PAR30/B/P12/50/E30/TD Series	50°	3000K	485	500
SL-PAR30/B/P11/50/E30/ND Series				

Intensity Distribution



Preliminary Technical Data Sheet **SL-PAR30 LED Lamp series****Packaging Dimension**

Package	Unit: mm	Unit: kg
A	130	0.5
B	130	
C	150	
Outer Box		
D	320	8.14
E	290	
F	770	

Packing Quantity

- ❶ 1 Luminaire / 1 Package
- ❷ 6 Packages / 1 Inner Box
- ❸ 2 Packages / 1 Outer Box

Installation Instruction and Warning

- Do not open - no user serviceable parts inside.
- Turn off power before inspection, installation, or removal.
- Do not use in totally enclosed fixtures.
- Please refer to the suggested dimmers.
- Not intended for use with emergency exit fixtures or emergency

**Preliminary Technical Data Sheet SL-PAR30 LED Lamp series****Support Dimmer Lists**

#	Producer	Vlot/Freq(V/Hz)	Model	Ctl. Type
1	Jung	230/50	266GDE	Leading
2	Merten	230/50		Leading
3	Clipsal	230/50	32E450L	Leading
4	Busch	230/50	2200-UJ	Leading
5	Everflourish	230/50	EF700DA	Leading
6	Niko	230/50		Leading
7	Busch	230/50	2250U	Leading
8	Schneider	230/50		Leading
9	松本电工 (SOBEN)	230/50		Leading
10	OPUS	230/50	852.39	Leading
11	KOSLO	230/50		Leading
12	Busch	230/50	6513U	Trailing
13	SIEMENS	230/50	5TC8-284	Trailing
14	Vadsbo	230/50	TD350	Trailing
15	Clipsal	230/50	32E450T	Trailing
16	Lutron	120/60	S-600	Leading
17	Lutron	120/60	Q-600P	Leading
18	Lutron	120/60	AY-600P	Leading
19	Lutron	120/60	DV-600P	Leading
20	Lutron	120/60	LG-600PH	Leading
21	Lutron	120/60	TT-300NLH	Leading
22	Lutron	120/60	DNG-600PH	Leading
23	Lutron	120/60	S-600PEH	Leading
24	Lutron	120/60	GL-600P	Leading
25	Leviton	120/60	L00	Leading
26	Leviton	120/60	RTD-01-10	Leading