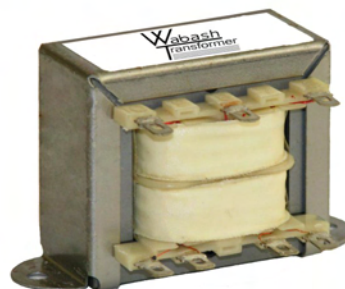


The Compact Power Transformer

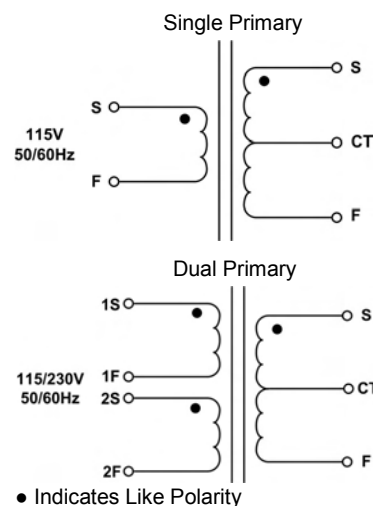
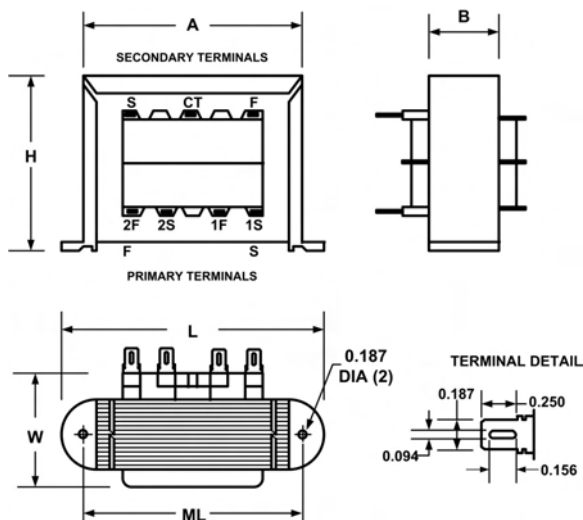
Series: PST & PDT - Chassis Mount with Terminals

- Power Rating 2.4VA to 100VA
- Single or Dual Primary, 115V or 115/230V
- Frequency 50/60HZ
- Center-tapped Secondary
- Dielectric Strength – 2500 Vrms
- Insulation Class B (130°C)
- Low Capacitive Coupling, no Electrostatic Shield Needed



Agency Approvals:

- UL/cUL 5085-2 Recognized (File E47299)
- Insulation File No. E95662



Primaries and Secondaries are designed to be used simultaneously. That is, they must be used either series or parallel connected (as one winding). Same applies to secondaries also.

VA Rating	Dimensions (Inches)						Weight Lbs
	L	W	H	A	B	ML	
2.4	2.063	1.17	1.19	1.45	0.563	1.75	0.25
6	2.375	1.30	1.38	1.70	0.688	2.00	0.44
12	2.813	1.44	1.62	1.95	0.813	2.38	0.70
15	2.813	1.44	1.62	1.95	0.813	2.38	0.70
30	3.250	1.76	1.94	2.32	1.063	2.81	1.10
50	3.688	1.87	2.25	2.70	1.063	3.12	1.70
56	3.688	1.87	2.25	2.70	1.063	3.12	1.70
100	4.031	2.25	2.56	3.08	1.313	3.56	2.75

Any application, Any requirement, Contact us for our Custom Designs

The Compact Power Transformer

Series: PST & PDT - Chassis Mount with Terminals

Partial Selection Guide

VA	Part Number		Secondary
	115V	115/230V	
2.4	PST-24-10	-	10VCT @ 240mA
	PST-24-126	-	12.6VCT @ 190mA
	PST-24-16	-	16VCT @ 150mA
	PST-24-20	-	20VCT @ 120mA
	PST-24-24	-	24VCT @ 100mA
	PST-24-28	-	28VCT @ 85mA
	PST-24-36	-	36VCT @ 66mA
	PST-24-48	-	48VCT @ 50mA
	PST-24-56	-	56VCT @ 43mA
	PST-24-120	-	120VCT @ 20mA
6	PST-06-10	PDT-06-10	10VCT @ 600mA
	PST-06-126	PDT-06-126	12.6VCT @ 476mA
	PST-06-16	PDT-06-16	16VCT @ 375mA
	PST-06-20	PDT-06-20	20VCT @ 300mA
	PST-06-24	PDT-06-24	24VCT @ 250mA
	PST-06-28	PDT-06-28	28VCT @ 214mA
	PST-06-36	PDT-06-36	36VCT @ 167mA
	PST-06-48	PDT-06-48	48VCT @ 125mA
	PST-06-56	PDT-06-56	56VCT @ 107mA
	PST-06-120	PDT-06-120	120VCT @ 50mA
12	PST-12-10	PDT-12-10	10VCT @ 1.2A
	PST-12-126	PDT-12-126	12.6VCT @ 950mA
	PST-12-16	PDT-12-16	16VCT @ 750mA
	PST-12-20	PDT-12-20	20VCT @ 600mA
	PST-12-24	PDT-12-24	24VCT @ 500mA
	PST-12-28	PDT-12-28	28VCT @ 428mA
	PST-12-36	PDT-12-36	36VCT @ 330mA
	PST-12-48	PDT-12-48	48VCT @ 250mA
	PST-12-56	PDT-12-56	56VCT @ 214mA
	PST-12-120	PDT-12-120	120VCT @ 100mA
15	PST-15-10	PDT-15-10	10VCT @ 1.5A
	PST-15-126	PDT-15-126	12.6VCT @ 1.19A
	PST-15-16	PDT-15-16	16VCT @ 940mA
	PST-15-20	PDT-15-20	20VCT @ 750mA
	PST-15-24	PDT-15-24	24VCT @ 625mA
	PST-15-28	PDT-15-28	28VCT @ 536mA
	PST-15-36	PDT-15-36	36VCT @ 417mA
	PST-15-48	PDT-15-48	48VCT @ 312mA
	PST-15-56	PDT-15-56	56VCT @ 0.268A
	PST-15-120	PDT-15-120	120VCT @ 125mA

VA	Part Number		Secondary
	115V	115/230V	
30	PST-30-10	PDT-30-10	10VCT @ 3.0A
	PST-30-12	PDT-30-12	12VCT @ 2.50A
	PST-30-16	PDT-30-16	16VCT @ 1.875A
	PST-30-20	PDT-30-20	20VCT @ 1.50A
	PST-30-24	PDT-30-24	24VCT @ 1.25A
	PST-30-28	PDT-30-28	28VCT @ 1.071A
	PST-30-36	PDT-30-36	36VCT @ 833mA
	PST-30-48	PDT-30-48	48VCT @ 625mA
	PST-30-56	PDT-30-56	56VCT @ 536mA
	PST-30-120	PDT-30-120	120VCT @ 250mA
50	PST-50-10	PDT-50-10	10VCT @ 5.0A
	PST-50-12	PDT-50-12	12VCT @ 4.17A
	PST-50-16	PDT-50-16	16VCT @ 3.125A
	PST-50-20	PDT-50-20	20VCT @ 2.5A
	PST-50-24	PDT-50-24	24VCT @ 2.08A
	PST-50-28	PDT-50-28	28VCT @ 1.78A
	PST-50-36	PDT-50-36	36VCT @ 1.39A
	PST-50-48	PDT-50-48	48VCT @ 1.042A
	PST-50-56	PDT-50-56	56VCT @ 893mA
	PST-50-120	PDT-50-120	120VCT @ 417mA
56	PST-56-10	PDT-56-10	10VCT @ 5.6A
	PST-56-12	PDT-56-12	12VCT @ 4.66A
	PST-56-16	PDT-56-16	16VCT @ 3.5A
	PST-56-20	PDT-56-20	20VCT @ 2.80A
	PST-56-24	PDT-56-24	24VCT @ 2.33A
	PST-56-28	PDT-56-28	28VCT @ 2.00A
	PST-56-36	PDT-56-36	36VCT @ 1.56A
	PST-56-48	PDT-56-48	48VCT @ 1.17A
	PST-56-56	PDT-56-56	56VCT @ 1.0A
	PST-56-120	PDT-56-120	120VCT @ 470mA
100	PST-100-10	PDT-100-10	10VCT @ 10A
	PST-100-12	PDT-100-12	12VCT @ 8.33A
	PST-100-16	PDT-100-16	16VCT @ 6.25A
	PST-100-20	PDT-100-20	20VCT @ 5.0A
	PST-100-24	PDT-100-24	24VCT @ 4.17A
	PST-100-28	PDT-100-28	28VCT @ 3.57A
	PST-100-36	PDT-100-36	36VCT @ 2.78A
	PST-100-48	PDT-100-48	48VCT @ 2.08A
	PST-100-56	PDT-100-56	56VCT @ 1.79A
	PST-100-120	PDT-100-120	120VCT @ 833mA

Any application, Any requirement, Contact us for our Custom Designs