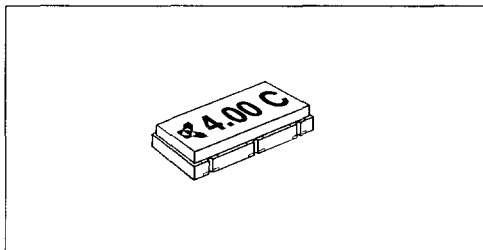


MHz Band SMT Resonators with Built-in Capacitor

PBRC-B Series



f_o : 2.00 to 36.00MHz



HOW TO ORDER

PBRC 3.58 B R

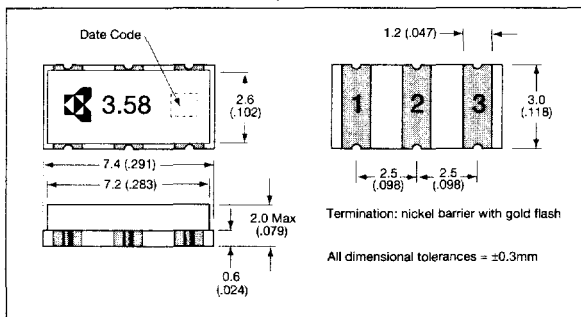
① ② ③ ④

- ① **Type:** (Piezo, Bulk Resonator, SMD)
- ② **Oscillation Frequency:** (MHz)
- ③ **Resonator Type:** B = with capacitor
- ④ **Packaging:** R = tape and reel (10" = 2000 pcs.)

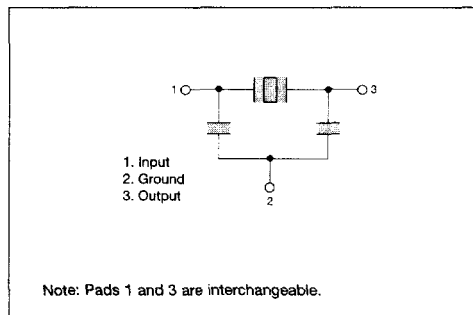
Specifications

| | | |
|---|-----------------|------------------|
| Frequency Range | 2.00 to 8.00MHz | 8.01 to 36.00MHz |
| Load Capacitor | 33pF (typ.) | 10pF (typ) |
| Frequency Tolerance | ±0.5% | ±0.7% |
| Resonant Resistance | 30Ω Max. | 150Ω Max. |
| Temperature Characteristics (-20 to +80°C) | ±0.3% | ±0.1% |

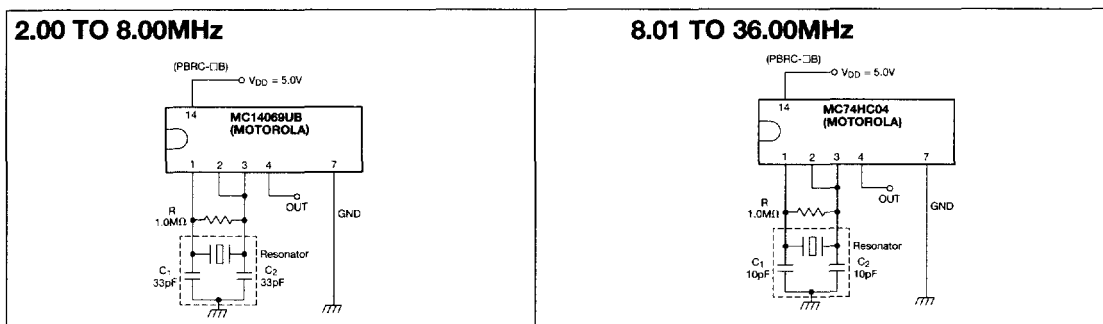
Dimensions: millimeters (inches)



Pad Connection



Test Circuit



Additional information on this product is available from AVX's catalog or AVX's FAX Service. Call 1-800-879-1613 and request document #128. Visit our website <http://www.avxcorp.com>

