

CDE CORNELL
DUBILIER

TYPE LPC

High Energy Discharge Pulse Capacitors

Performance Highlights

- Energy Densities to 15 joules/cu. in.
- Reduced size and weight than previous designs
- Long Life Expectancy up to 10^8 discharges
- Maximum Ratings to 10KVDC and 500 Mfd.
- Non-PCB Impregnant

Construction

Cornell Dubilier's LPC Pulse Capacitors employ state-of-the-art metallized kraft electrodes with either polyester or polypropylene dielectric. The combination of these materials is determined by the capacitor application. The capacitor sections are housed in a hermetically sealed oval or rectangular metal case. The hermetic seal prevents the loss of dielectric fluid and prevents outside contaminants from entering the capacitor.

Terminals are .250" quick connect or threaded studs allowing you the flexibility of selecting your connection method. Creepage distances are well above necessary industry requirements.

Each capacitor is rigorously tested to ensure it meets not only your specifications, but CDE's stringent standards as well.

Applications

- Photocopiers
- Medical Devices
 - Defibrillators
 - X-ray
 - CAT Scan
 - MRI
 - Lasers
 - Microsurgery
- Machine tool lasers
- Navigation and Range Finding
- Airport Strobe Lights
- Photo Flash



TYPICAL RATINGS AND CASE DIMENSIONS

MEDICAL APPLICATIONS

CDE Catalog No.	CAP. (Mfd.)	RATING		FIGURE 1=Oval 2=Rectangular	CASE SIZE (Inches)			MINIMUM LIFE EXPECTANCY 95% Survival (PULSES)
		VDC	ENERGY (Joules)		L	W	H	
LPC360	50	4500	506	1	3.66	1.97	6.88	50,000
LPC361	54	4500	547	1	3.75	2.50	6.88	50,000
LPC362	34	5000	425	1	2.91	1.91	6.75	50,000
LPC363	42	5500	635	1	3.66	1.91	6.75	50,000
LPC364	50	6000	900	2	3.75	2.50	6.88	100,000

PHOTOCOPIER APPLICATIONS

LPC365	25	1000	12.5	1	3.66	1.97	3.25	50 X 10 ⁶
LPC366	80	1500	90	1	3.66	1.97	10.00	50 X 10 ⁶
LPC367	224	1500	250	2	4.56	3.75	9.00	50 X 10 ⁶

OUTLINE DRAWINGS

FIGURE 1

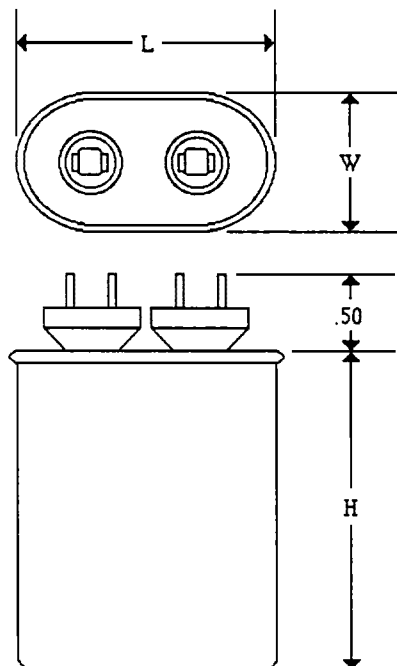
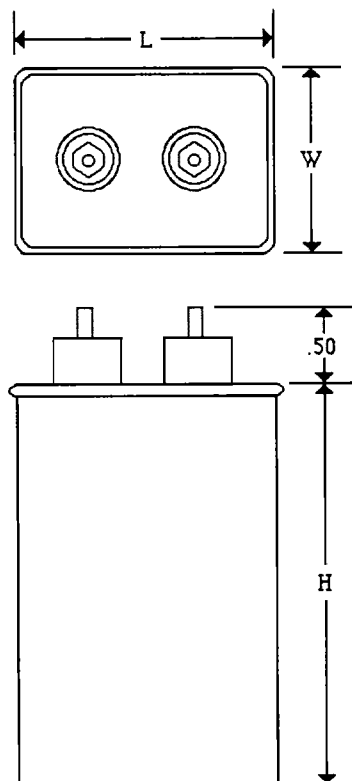


FIGURE 2



Contact Cornell Dubilier for other specific ratings:

Cornell Dubilier 1605 East Rodney French Boulevard • New Bedford, MA 02744 • (508) 996-8561 FAX (508) 996-3830