



CONNOR-WINFIELD CORPORATION

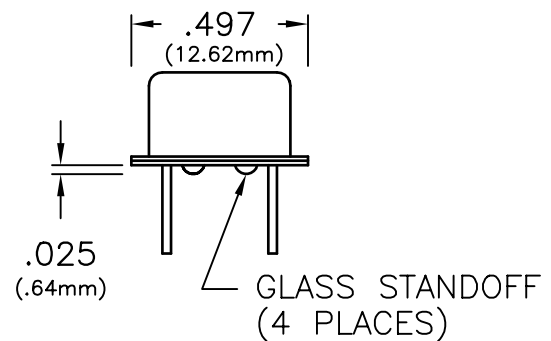
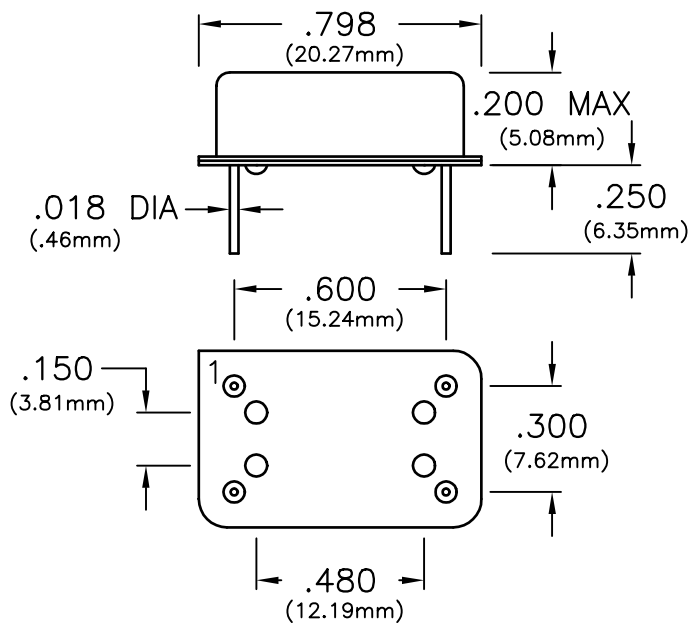
AURORA, IL. 60505

PHONE (630) 851-4722

FAX (630) 851-5040

14 PIN DIP PECL

SPECIFICATIONS	ECLBP5Q	
Frequency Range	87.5MHz and 97.5MHz	
Frequency Stability	±100ppm	
Temperature Range	0°C to +70°C	
Waveform	PECL Squarewave, 100K and 10K Compatible	
Output	Voltage Voh	3.96 Minimum
	Vol	3.40 Maximum
	Duty Cycle	50/50 ±5% Typical , ±10% Maximum measured at 3.67V
	Rise/Fall Time	1.5nS Typical, 2.0nS Maximum
	Output is terminated into 50 ohms to +3Vdc OR 270 ohms to Vee	
Supply Voltage	+5Vdc ±5%	
Supply Current	70mA Maximum	
Package	All metal, hermetically sealed, welded package	
Options (add letter to end of model number)	Pin 1: Complementary Output	



PIN	CONNECTION
1	COMP. OUTPUT
7	Vee (CASE GROUND)
8	OUTPUT
14	Vcc

Dimensional Tolerance: ±.005

Specifications subject to change without notice

BULLETIN #: EC097
 INT PAGE 1 OF 2

REV: 00
 DATE: 9/13/96

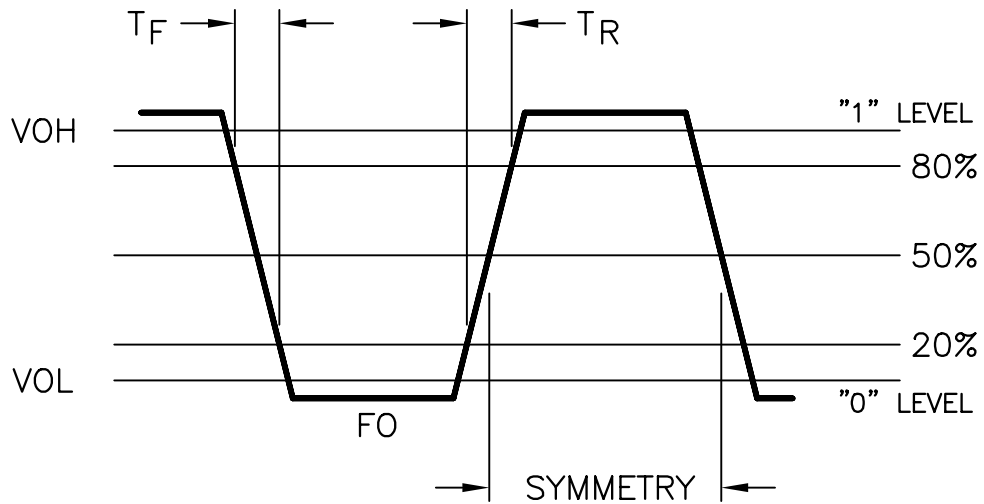
ISSUED BY: _____



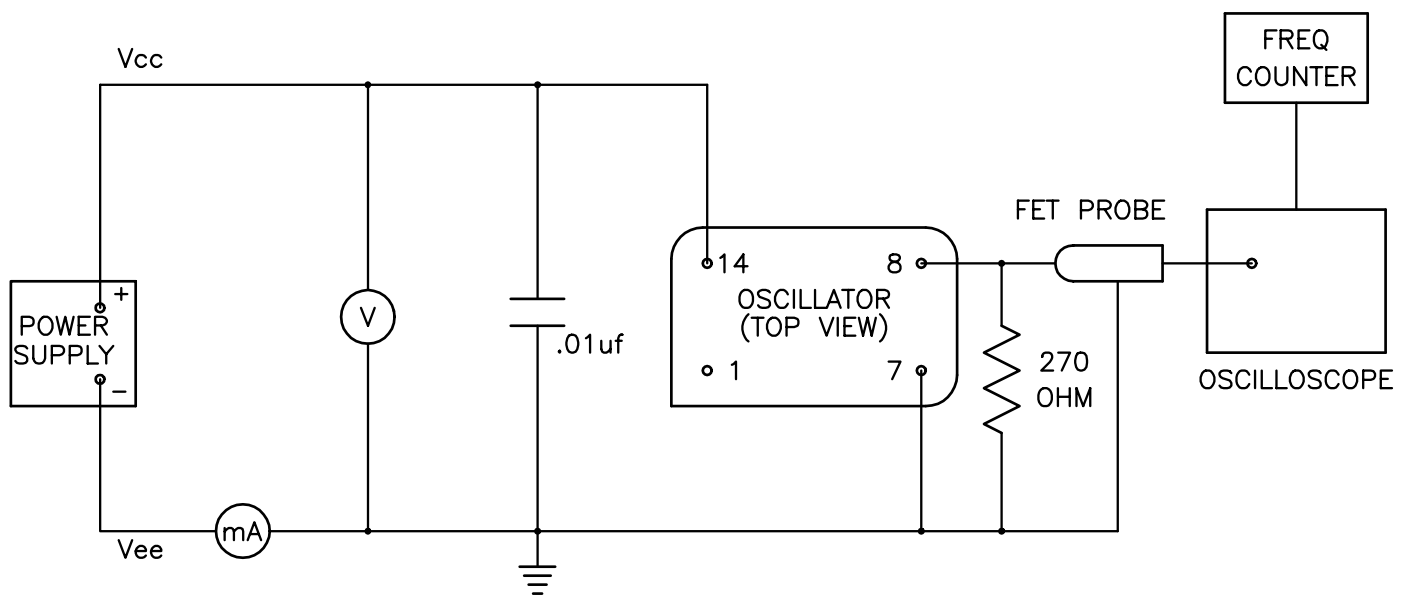
CONNOR-WINFIELD CORPORATION

AURORA, IL. 60505
PHONE (630) 851-4722
FAX (630) 851-5040

OUTPUT WAVEFORM



TEST CIRCUIT



Specifications subject to change without notice

BULLETIN #: EC097
INT PAGE 2 OF 2

REV: 00
DATE: 9/13/96

ISSUED BY: _____