

REFERENCE SPECIFICATIONS

-NFC 93425 (in compliance with HE 507)

PHYSICAL CHARACTERISTICS

- INSULATOR MATERIAL: THERMOPLASTIC ,UL94V0
- CONTACT MATERIAL: BRASS
- ACCESSORIES: BRASS
- SHELLS: STEEL

ELECTRICAL CHARACTERISTICS

- NOMINAL CURRENT: 40A
- CONTACT RESISTANCE: <= 7.3 mOhms
- CONTACT/CONTACT : >=1000 V
- CONTACT/GROUND : >=1200 V
- INSULATION RESISTANCE: >=5000 MOhms

ENVIRONMENTAL CHARACTERISTICS

- CLIMATIC CATEGORY: 55/125/21
- TEMPERATURE RANGE -55°C TO +125°C
- DAMP HEAT STEADY STATE 21 DAYS
- SALT SPRAY 24 HOURS

MECHANICAL CHARACTERISTICS

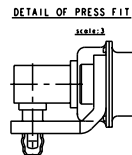
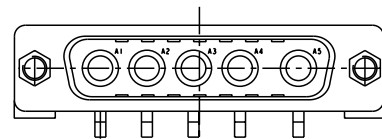
- RETENTION AGAINST TORQUE: - Threaded insert: 0.7 N.m minimum
- Female screw : 0.5 N.m minimum

PRESS FIT PERFORMANCES

PRESS FIT CONTACTS	
INSERTION FORCE	<= 200 N Average insertion 160N
EXTRACTION FORCE	>= 30 N

NOTE RoHS INFORMATION

- The "LF" products meet european union Directives and other country regulations as described in GS-22-008.
- Termination plating spec:
 - Ni 1.27µm+Sn 0.5 to 1.5µ(pure bright)
- Active area plating spec:
 - Ni + Gold
- Shell plating : 2 to 4µm Cu + 3 to 10µmm Sn(pure bright)
- Accessories: Sn pure bright
- Packaging spec: See GS-14-920



5W5 FOR EXAMPLE

DBL5W5P81C6M40LF

Series ←

Shell size: **E A B C**
(see sheet 3) ←

Front accessory definition
(see sheet 2) ←

- blank: without accessory
- L : threaded insert M3
- O : threaded insert UNC 4-40
- V : female screw UNC 4-40

Layout of contacts (see sheet 3) ←

Contacts
P : Pin ←

Termination type
81C Right angle/Europe standard ←

Plating
5 200 matings/unmatings
6 500 matings/unmatings ←

PCB accessories definition(see sheet 2) ←

M Metal brackets
A Without accessory ←

Power contacts
40 : Fitted with power contacts 40 Amp. ←

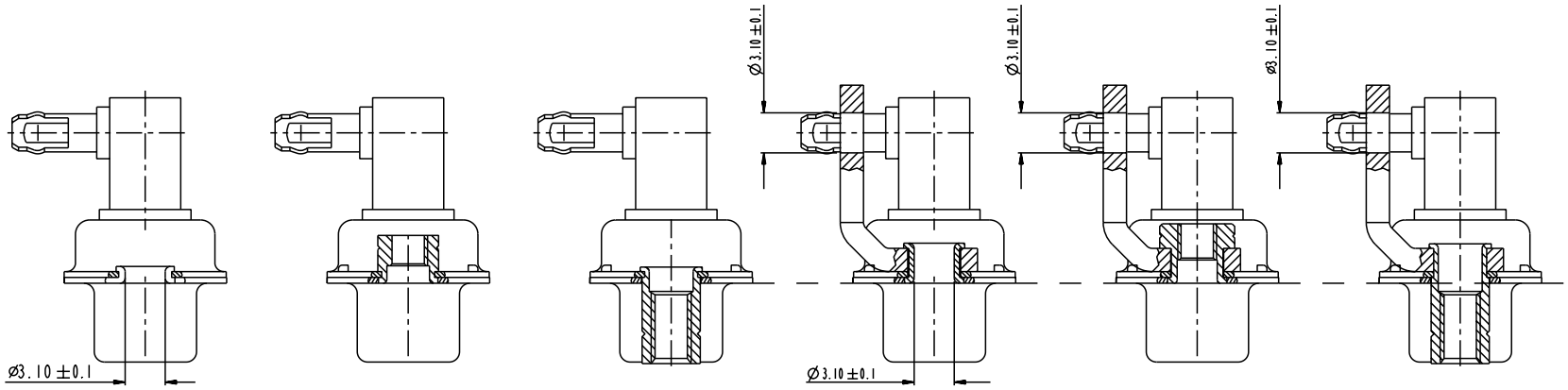
See note RoHS

TABLE 1: PCB HOLE DIAMETERS

P.C.B HOLE DEFINITION	SnPb holes for CONTACTS		Sn holes for CONTACTS		holes ACCESSORIES
	DRILL DIAMETER	Ø3.22 REF(NOTE 3)	DRILLED HOLE	Ø3.19-3.25	
COPPER PLATING	25µ MINI (RECOMMENDED 50µ MAXI)	25µ MINI (RECOMMENDED 50µ MAXI)	Ø3.10±0.10		
TIN-LEAD PLATING	15µ MAXI (RECOMMENDED 5µ MINI)				
TIN PLATING		0.8 tol,2µ			
FINISH HOLE (AFTER REFLOW)	Ø 3.02-3.20	Ø3.08-3.20			

- NOTE-1: THESE DIMENSIONS MUST BE RESPECT TO SECURE PRESS-FIT PIN PERFORMANCES.
- NOTE-2: ACCORDING TO IEC-352-5 SPEC.
- NOTE-3: MAJOR REQUIREMENT FOR PRESS FIT PIN PERFORMANCE

www.fciconnect.com		surface	tolerance	projection	size	Scale
Dr	M PESSON	11/10/05	Product family	-	A2	2:1
Eng	11/10/05	P LEGARE	Spec ref	SEE NOTES	ECN	
Chr			Material			
Appr						
SUB MALE DW EUROPE foot print			deg no	C01-8639-2319	Rev.	A
full power right angle press fit			catalog no	CUSTOMER COPY	sheet 1 of 5	



FRONT ACCESSORY	Blank Without	L insert M3 O insert UNC 4.40	V insert UNC 4.40	Blank Without	L insert M3 O insert UNC 4.40	V insert UNC 4.40
PCB ACCESSORIES	A Without	A Without	A Without	M Metal brackets	M Metal brackets	M Metal bracket

This document contains confidential information. Reproduction, communication, distribution, or disclosure of this document is strictly prohibited without the written consent of FCI. © Copyright FCI.

A
FCI

This document contains confidential information. Reproduction, communication, distribution, or disclosure of this document is strictly prohibited without the written consent of FCI. © Copyright FCI.

FCI www.fciconnect.com		surface <input checked="" type="checkbox"/>	tolerance	projection
Dr M PESSON	11/10/05	Product family	size A2	Scale 2:1
Eng 11/10/05	P LEGARE	Spec ref	Material	ECN
Chr		SEE NOTES		
Appr				
Title SUB MALE DW EUROPE foot print		deg no C01-8639-2319	Rev. A	
catalog no		CUSTOMER COPY		sheet 2 of 5

SCALE: 4

All rights are reserved. Reproduction or use in any manner without the written permission of FCI is prohibited. FCI, Copyright © 2005.

A
FCI

All rights are reserved. Reproduction or use in any manner without the written permission of FCI is prohibited. FCI, Copyright © 2005.

PART NUMBER	AMPS	MATINGS/ UNMATINGS	FRONT ACCESSORY	PCB ACCESSORIES
D*xWxP81C5A40LF	40	200	without	without
D*LxWxP81C5A40LF	40	200	insert M3	without
D*OxWxP81C5A40LF	40	200	insert UNC 4.40	without
D*VxWxP81C5A40LF	40	200	female screw UNC 4.40	without
D*xWxP81C5M40LF	40	200	without	metal bracket
D*LxWxP81C5M40LF	40	200	insert M3	metal bracket
D*OxWxP81C5M40LF	40	200	insert UNC 4.40	metal bracket
D*VxWxP81C5M40LF	40	200	female screw UNC 4.40	metal bracket

shell size
 *
 E
 A
 A
 B
 C

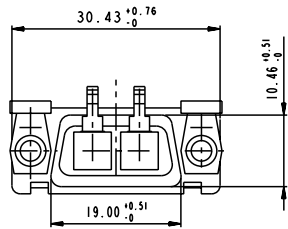
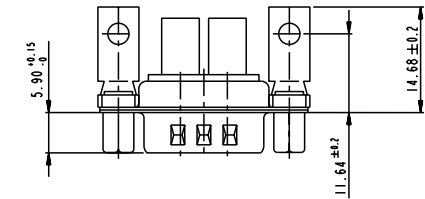
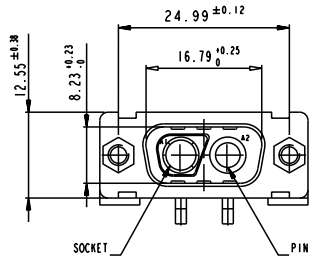
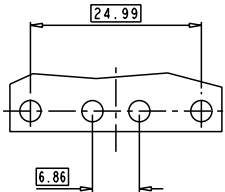
LAYOUTS
 xWx
 2V2
 3V3
 3W3
 5W5
 8W8

PART NUMBER	AMPS	MATINGS/ UNMATINGS	FRONT ACCESSORY	PCB ACCESSORIES
D*xWxP81C6A40LF	40	500	without	without
D*LxWxP81C6A40LF	40	500	insert M3	without
D*OxWxP81C6A40LF	40	500	insert UNC 4.40	without
D*VxWxP81C6A40LF	40	500	female screw UNC 4.40	without
D*xWxP81C6M40LF	40	500	without	metal bracket
D*LxWxP81C6M40LF	40	500	insert M3	metal bracket
D*OxWxP81C6M40LF	40	500	insert UNC 4.40	metal bracket
D*VxWxP81C6M40LF	40	500	female screw UNC 4.40	metal bracket

FCI		www.fciconnect.com		surface <input checked="" type="checkbox"/>	tolerance	projection	
Dr	M PESSON	11/10/05	Product family	-	size	A2	Scale
Eng	11/10/05	P LEGARE	Spec ref				2:1
Chr			Material	SEE NOTES	ECN		
Appr							
Title				SUB MALE DW EUROPE foot print		Rev.	
				full power right angle press fit		A	
catalog no				- CUSTOMER COPY		sheet 3 of 5	

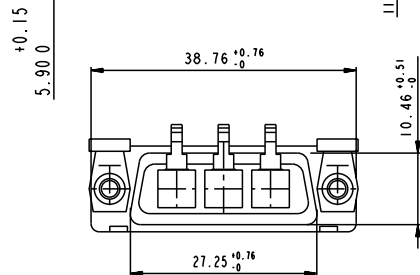
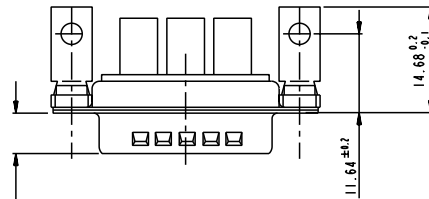
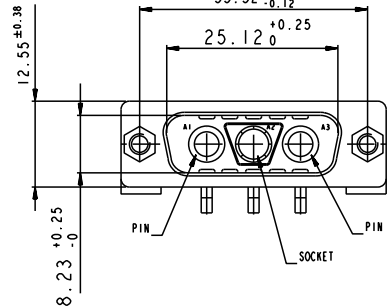
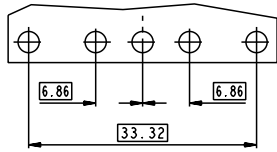
2V2

LAYOUT AND CONNECTOR DIMENSIONS
For PCB hole diameters see table I sheet I

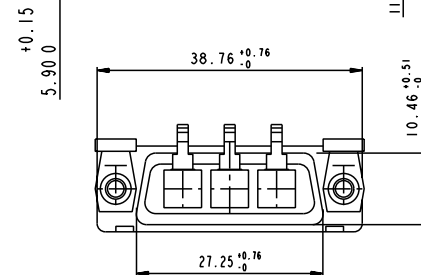
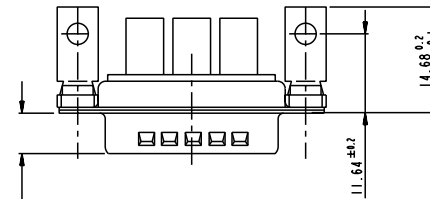
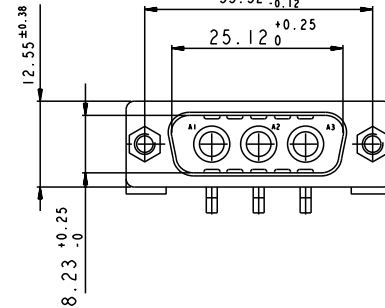
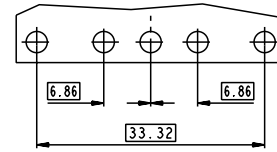


3V3

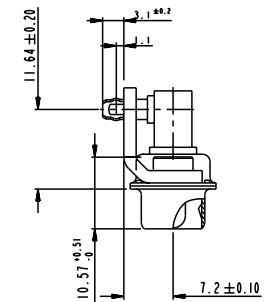
LAYOUT AND CONNECTOR DIMENSIONS
For PCB hole diameters see table I sheet I



3W3



SIDE VIEW FOR ALL LAYOUTS



Tous droits réservés. Reproduction ou utilisation sans autorisation est formellement interdite. Property of FCI. - Brevet de l'entreprise FCI. - All rights reserved.

FCI

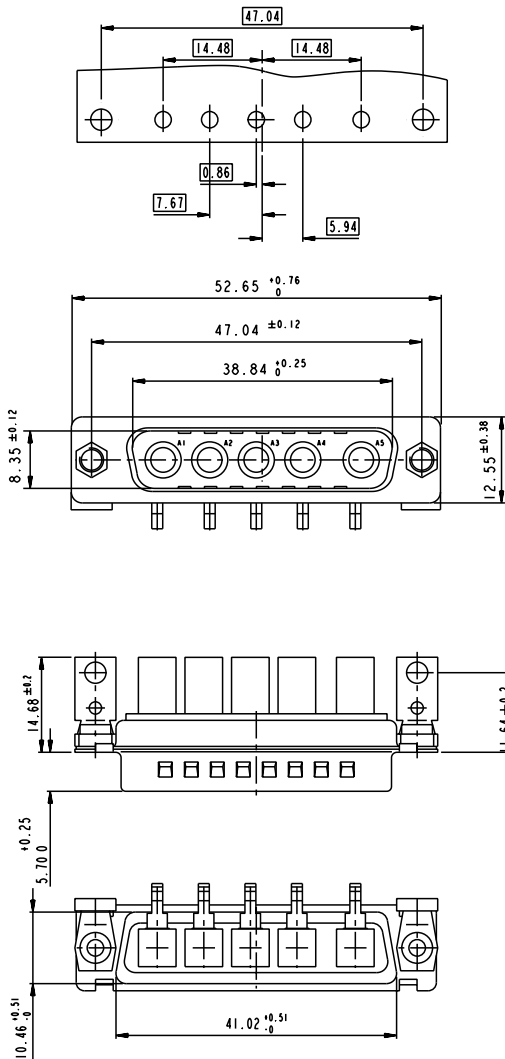
Tous droits réservés. Reproduction ou utilisation sans autorisation est formellement interdite. Property of FCI. - Copyright FCI. - All rights reserved.

FCI		www.fciconnect.com		surface	tolerance	projection	
Dr	M PESSON	11/10/05	Product family	-	size	A2	Scale
Eng	11/10/05	P LEGARE	Spec ref				2:1
Chr			Material	SEE NOTES	ECN		
Appr							
Title				SUB MALE DW EUROPE foot print		Rev.	
catalog no				full power right angle press fit		A	
				CUSTOMER COPY		sheet 4 of 5	

5W5

LAYOUT AND CONNECTOR DIMENSIONS

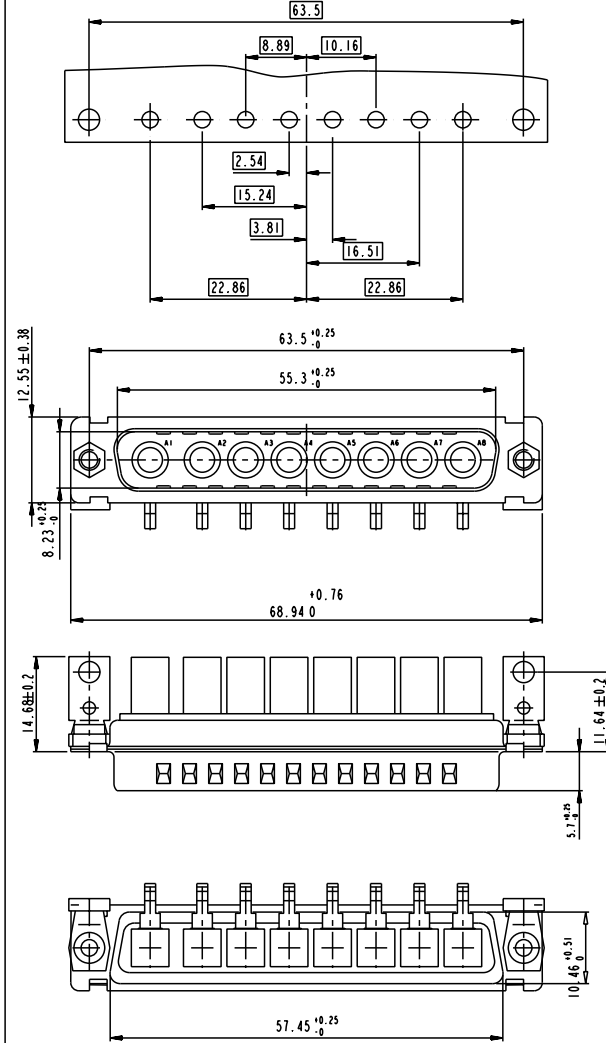
For PCB hole diameters see table 1 sheet 1



8W8

LAYOUT AND CONNECTOR DIMENSIONS

For PCB hole diameters see table 1 sheet 1



Tous droits réservés. Toute réimpression, reproduction ou utilisation non autorisée sans la permission écrite de la FCI est formellement interdite.

FCI

All rights reserved. Any reprinting or unauthorized use without the written permission of FCI is expressly prohibited.

FCI www.fciconnect.com		surface <input checked="" type="checkbox"/>	tolerance	projection
Dr M PESSON	11/10/05	Product family	size A2	Scale 2:1
Eng 11/10/05	P LEGARE	Spec ref	Material	ECN
Chr			SEE NOTES	
Appr				
Title SUB MALE DW EUROPE foot print		deg no C01-8639-2319	Rev. A	
catalog no		CUSTOMER COPY	sheet 5 of 5	