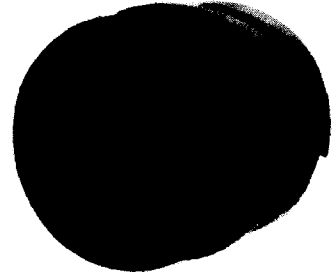


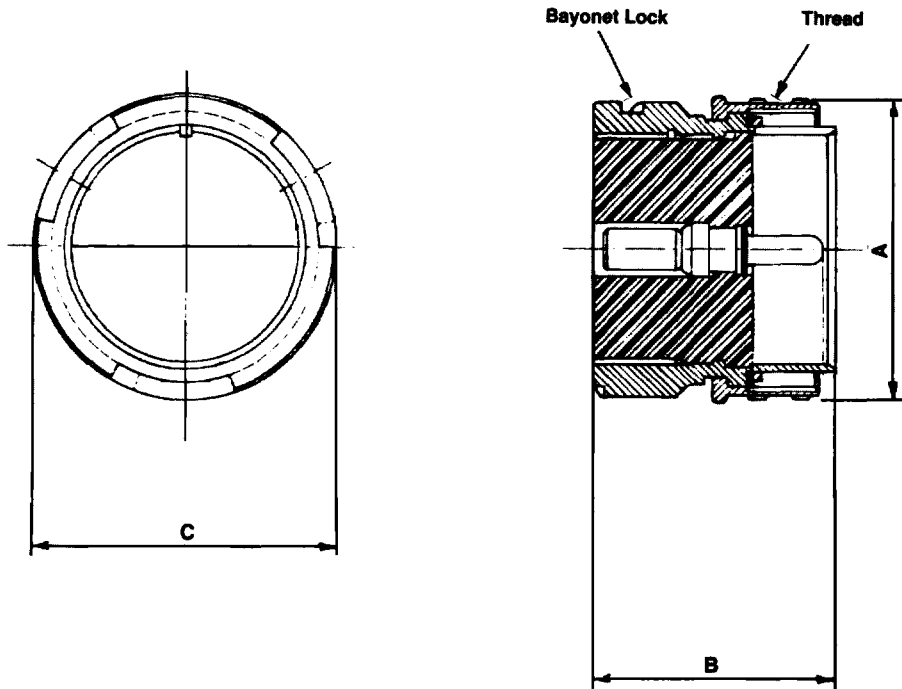
CONNECTOR ADAPTER.

CIR-VE

Converts threaded connectors MIL-C-5015 to VEAM CIR, to provide bayonet coupling. Contacts supplied installed. For other available adapter options consult our Sales Dept.



CIR-VE



Typical Part No:
CIR 2S - VE6P - XX - YY
XX - YY — Insert Arrangement

DIMENSIONS ARE IN MM.

SHELL SIZE	A	B	C
XX			
14S	28.5	36.3	24.6
16S	31.75	36.3	27.4
18	34.1	50.6	30.8
20	37.3	50.6	34.2
22	40.5	50.6	37.4

SHELL SIZE	A	B	C
XX			
24	43.5	50.6	40.9
28	50	50.6	46.7
32	56.1	50.6	53.4
36	62.5	50.6	59.6
40	69.1	50.6	65.5