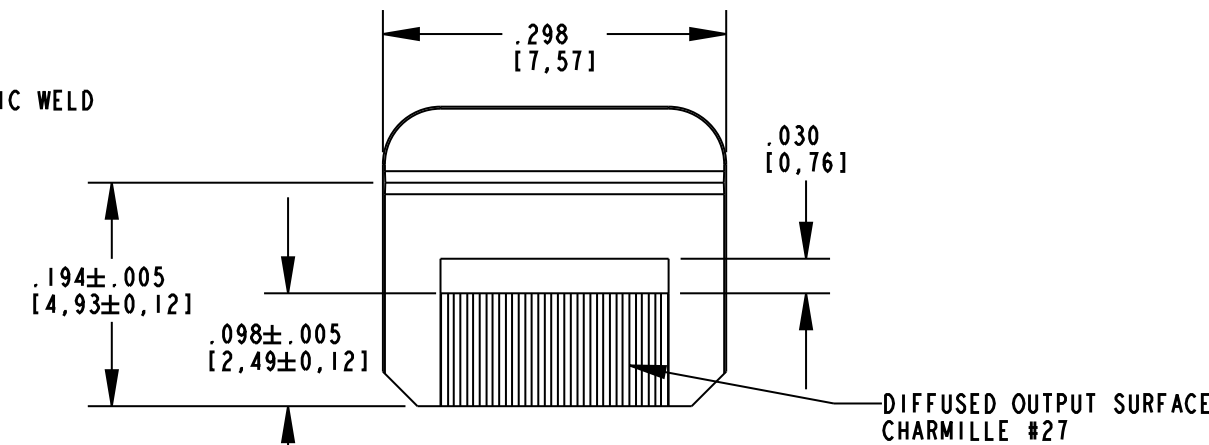
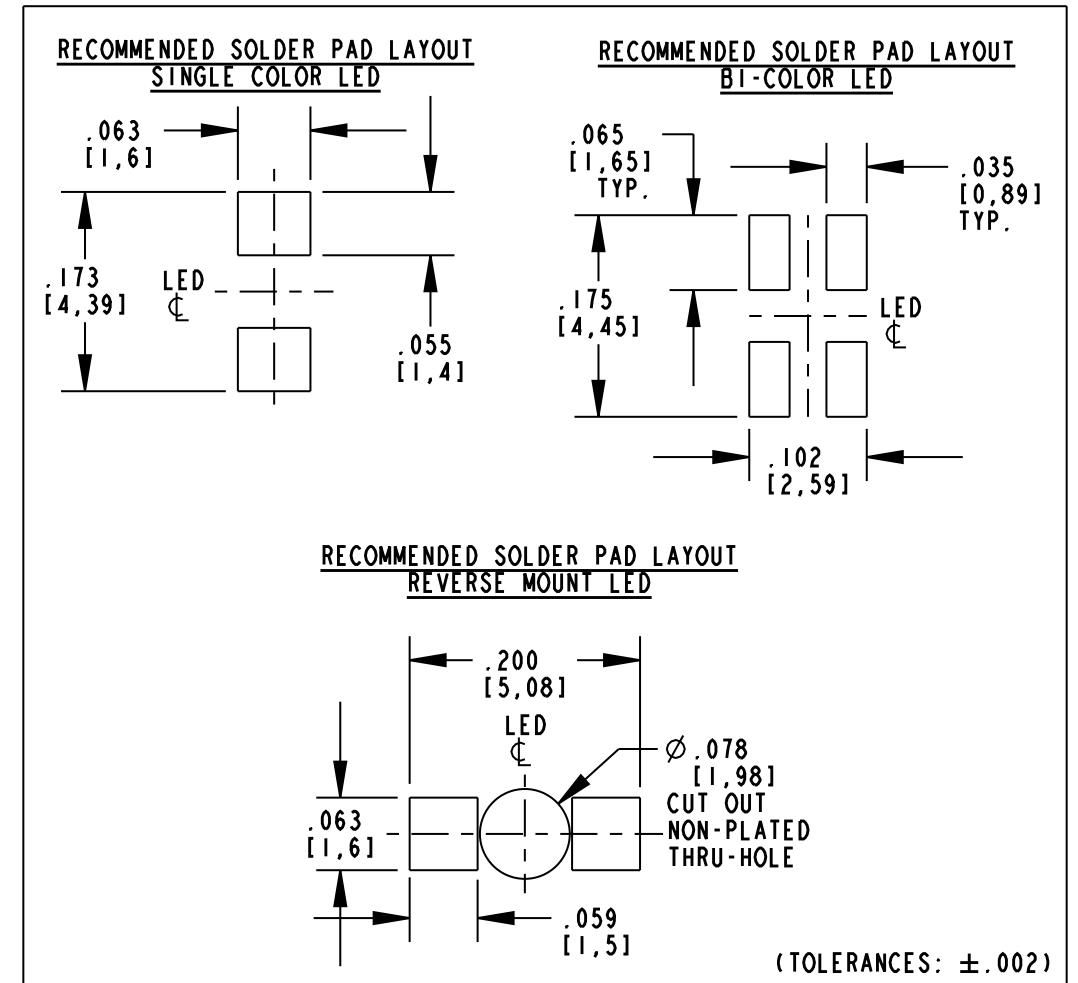
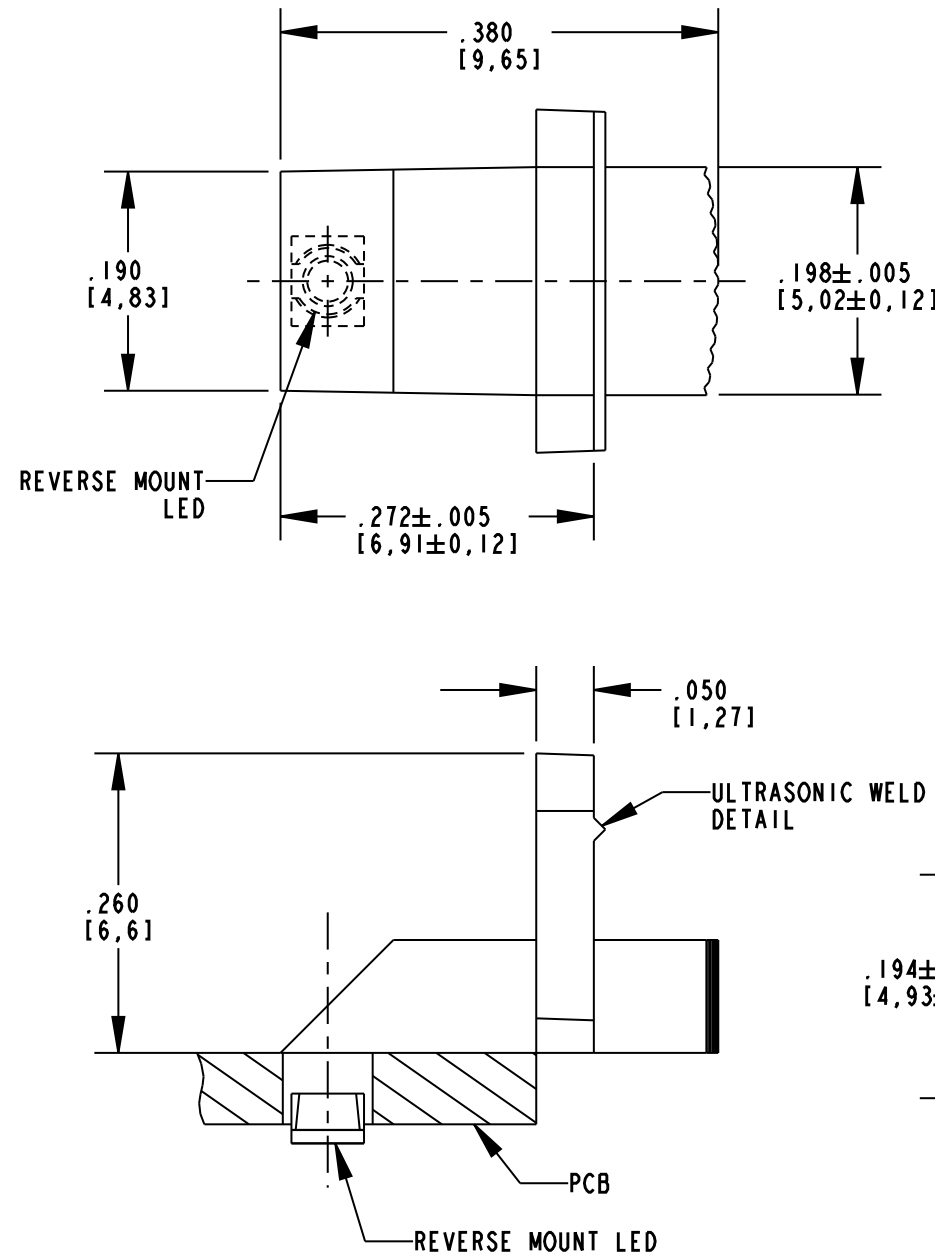
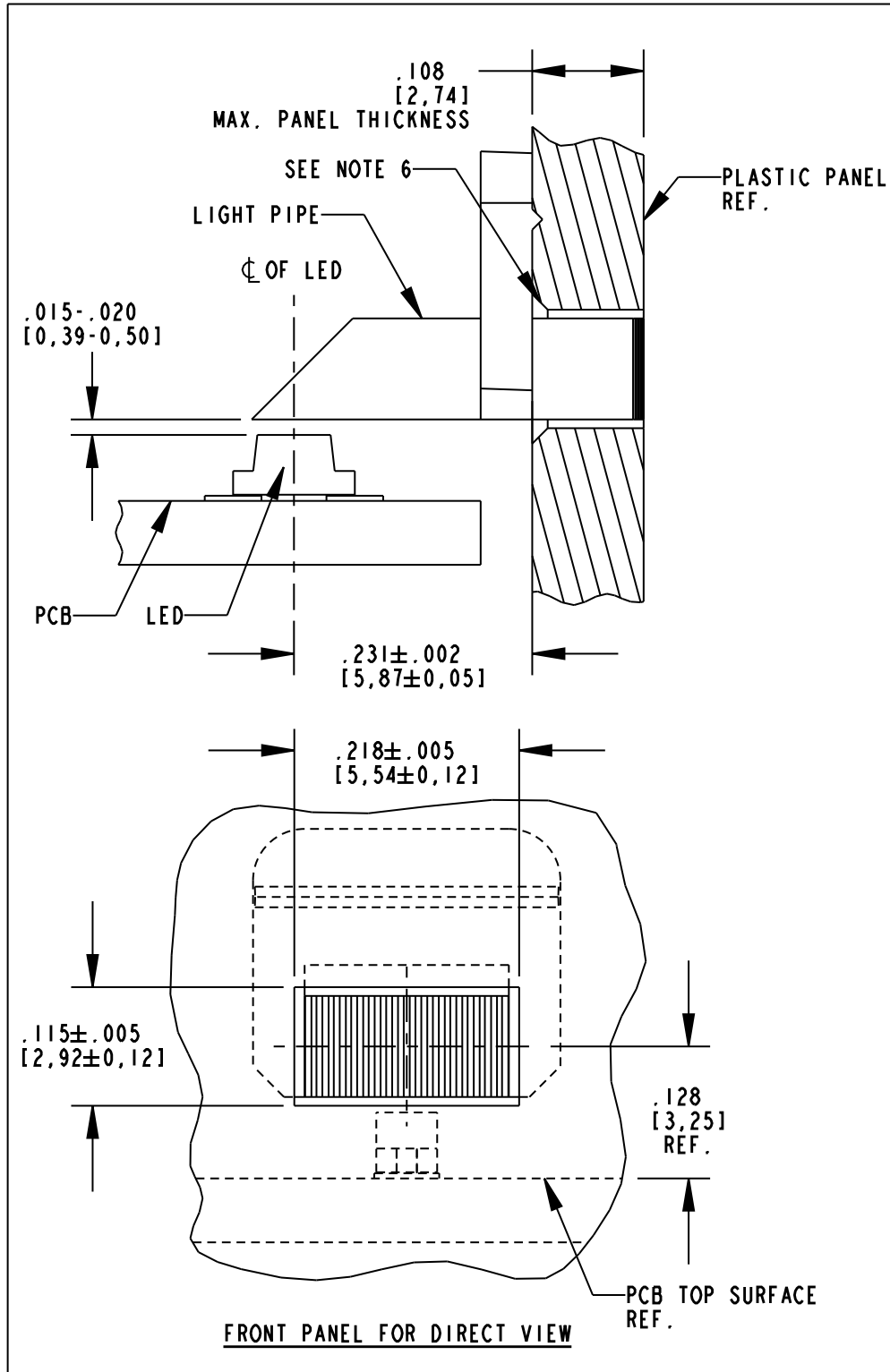
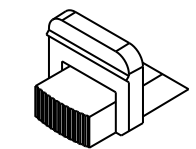


REV	ECN NO	REVISIONS	DRN	CKD	APP	DATE
A		NEW RELEASE	AJF	KLJ	NO	7-26-10

**RoHS COMPLIANT 515-1004F**  
 Part Numbers with the "F" suffix ending are RoHS Compliant.  
 Packaging is marked with "RoHS Compliant" label or equivalent markings.



- NOTES:
- DIALIGHT PART NUMBER: 515-1004F.
  - COMPONENTS DESIGNED TO BE ULTRASONICALLY WELDED TO PANEL.
  - MATERIAL TO BE CLEAR, TRANSMISSIVE POLYCARBONATE (UL-94V-0 FLAMMABILITY).
  - STORAGE AND OPERATING TEMPERATURE: -30 TO +100°C.
  - RECOMMENDED SURFACE MOUNT LEDS DIALIGHT PART NUMBERS:  
 597-3XX1-2XXF, -4XXF, -5XXF (SINGLE COLOR)  
 597-77XX-2XXF, -4XXF, -5XXF (BI-COLOR)  
 597-6XXX-607F (SINGLE COLOR REVERSE MOUNT)
  - 45° CHAMFER AROUND INSIDE OF PANEL CUT OUT (OPTIONAL).



SCALE 2.000

THIS DRAWING AND THE CONTENTS HEREIN ARE CONFIDENTIAL AND THE SOLE PROPERTY OF DIALIGHT. REPRODUCTION OF THIS DRAWING OR CONSTRUCTION OF ANY PARTS WITHIN THIS DRAWING ARE FORBIDDEN WITHOUT THE WRITTEN CONSENT OF DIALIGHT.		
SCALE: 6.000 ALL DIM'S IN: INCHES (MM)	DRAWING NUMBER C-17856	REV A
TOLERANCES: UNLESS OTHERWISE SPECIFIED FRACTIONS: ±1/64 DECIMALS (.XX): ±.02 DECIMALS (.XXX): ±.010	TITLE 2.5mm X 5mm RECTANGULAR PANEL MOUNT LIGHT PIPE	
ANGLES: ±3° FINISH:	MATERIAL SEE NOTES	
FSCM 83330	Dialight 1501 ROUTE 34 SOUTH FARMINGDALE, NJ 07727	
	SHEET 1 OF 1	FAMILY TABLE: