

TOROIDAL POWER INDUCTORS

AIPT-92 SERIES WITH OPTIONAL MOUNTING

STANDARD SPECIFICATIONS

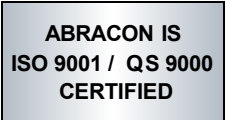
Part Number ⁴	L ^{1,2} (μ H)	I _{DC} A (MAX)	ET V- μ S (MIN)	Energy Storage (μ J)	DCR Ω (MAX)	Coil Size ⁵	Base Mount Package	Lead Dia. ⁵
AIPT-92-20-2.0	20	2.0	52	40	0.060	H	BM1	0.020/0.50
AIPT-92-25-2.6	25	2.6	30	85	0.043	A	BM1	0.020/0.50
AIPT-92-50-2.6	50	2.6	50	169	0.071	B	BM2	0.020/0.50
AIPT-92-100-2.6	100	2.6	90	338	0.100	C	BM3	0.020/0.50
AIPT-92-35-2.6	35	2.6	55	118	0.037	B	BM2	0.025/0.64
AIPT-92-70-3.0	70	3.0	85	315	0.052	C	BM3	0.025/0.64
AIPT-92-150-3.0	150	3.0	140	653	0.087	D	BM4	0.025/0.64
AIPT-92-285-3.0	285	3.0	300	1283	0.140	E	BM5	0.025/0.64
AIPT-92-450-3.0	450	3.0	425	2025	0.200	F	-	0.025/0.64
AIPT-92-100-3.6	100	3.6	130	648	0.045	D	BM4	0.032/0.81
AIPT-92-165-4.0	165	4.0	240	1320	0.070	E	BM5	0.032/0.81
AIPT-92-270-4.0	270	4.0	350	2160	0.100	F	-	0.032/0.81
AIPT-92-40-4.0	40	4.0	70	320	0.027	C	BM3	0.032/0.81
AIPT-92-22-5.0	22	5.0	44	275	0.020	G	-	0.032/0.81
AIPT-92-100-5.0	100	5.0	200	1250	0.034	E	BM5	0.042/1.07
AIPT-92-170-5.0	170	5.0	300	2125	0.050	F	-	0.042/1.07
AIPT-92-55-5.0	55	5.0	100	688	0.023	D	BM4	0.042/1.07
AIPT-92-95-7.0	95	7.0	225	2328	0.025	F	-	0.051/1.30
AIPT-92-55-7.0	55	7.0	150	1348	0.017	E	BM5	0.051/1.30
AIPT-92-55-10.0	55	10.0	175	2750	0.013	F	-	0.064/1.63

NOTES:

1. Inductance (L) measured @ 100KHz, 100mVRMS @ rated I_{DC}
2. Inductance (L) tolerance: @ \pm 20%
3. Operating temperature: -30°C to 130°C
4. Mounting: Add "V", "H" or "B" as suffix
5. Dimensions: inches / mm; see spec sheet for tolerance limits
6. Specifications subject to change without notice

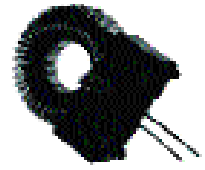
PHYSICAL CHARACTERISTICS ⁶

See facing page



TOROIDAL POWER INDUCTORS

AIPT-92 SERIES WITH OPTIONAL MOUNTING



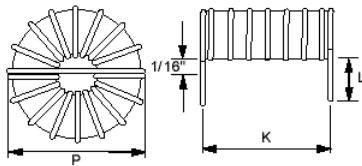
PHYSICAL CHARACTERISTICS ⁵

Base Mount ⁴	Dim. ⁵	A	B	C	D	E	Coil Size	Dim. ⁵	P	N	L	M	K
BM-1	(in.) (mm)	0.340 8.64	0.580 14.73	0.650 16.57	0.29 7.37	0.110 2.79	A	(in.) (mm)	0.55 13.97	0.25 6.35	3.75 9.53	0.180 4.57	0.350 8.90
BM-2	(in.) (mm)	0.450 11.43	0.650 16.51	0.700 17.78	0.325 8.26	0.150 3.91	B	(in.) (mm)	0.70 17.78	0.38 9.65	0.375 9.53	0.280 7.11	0.530 13.46
BM-3	(in.) (mm)	0.450 11.73	0.830 21.03	0.950 24.13	0.415 10.54	0.150 3.91	C	(in.) (mm)	0.85 21.59	0.41 10.41	0.375 9.53	0.280 7.11	0.720 18.29
BM-4	(in.) (mm)	0.600 15.24	0.950 24.13	1.10 27.94	0.475 12.07	0.225 5.72	D	(in.) (mm)	1.05 26.27	0.55 13.97	0.375 9.53	0.400 10.16	0.840 21.24
BM-5	(in.) (mm)	0.700 17.78	1.25 33.02	1.40 35.56	0.625 15.88	0.250 6.35	E	(in.) (mm)	1.40 35.56	0.700 17.78	0.375 9.53	0.500 12.70	1.10 25.65
							F	(in.) (mm)	1.65 41.91	0.700 17.78	0.375 0.953	0.500 12.70	1.35 34.30
							G	(in.) (mm)	0.85 21.59	0.33 8.38	0.875 22.23	0.250 6.40	.730 18.29
							H	(in.) (mm)	0.64 16.26	0.28 7.11	0.875 22.23	0.180 4.57	.530 13.46

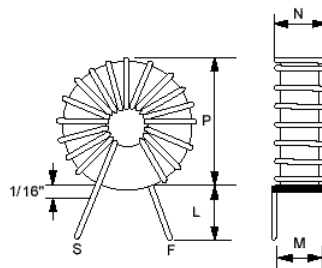
NOTES:

1. Inductance (L) measured @ 100KHz, 100mVRMS @ rated I_{dc}
2. Inductance (L) tolerance: @ ± 20%
3. Operating temperature: -30°C to 130°C
4. Mounting: Add "V", "H" or "B" as suffix
5. Dimensions: inches / mm; see spec sheet for tolerance limits
6. Specifications subject to change without notice

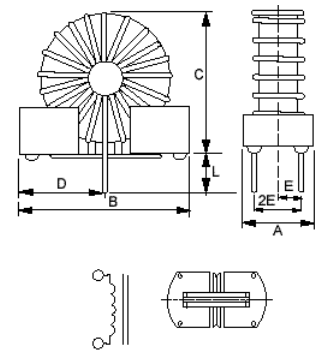
Horizontal



Vertical



Base Mount



Leads tinned to within 0.063/1.60 core/case

ABRACON IS
ISO 9001 / QS 9000
CERTIFIED

29 Journey • Aliso Viejo, CA 92656 • USA
(949) 448-7070 • Fax: (949) 448-8484
E-MAIL: abinfo@abracon.com • INTERNET ADDRESS: www.abracon.com

