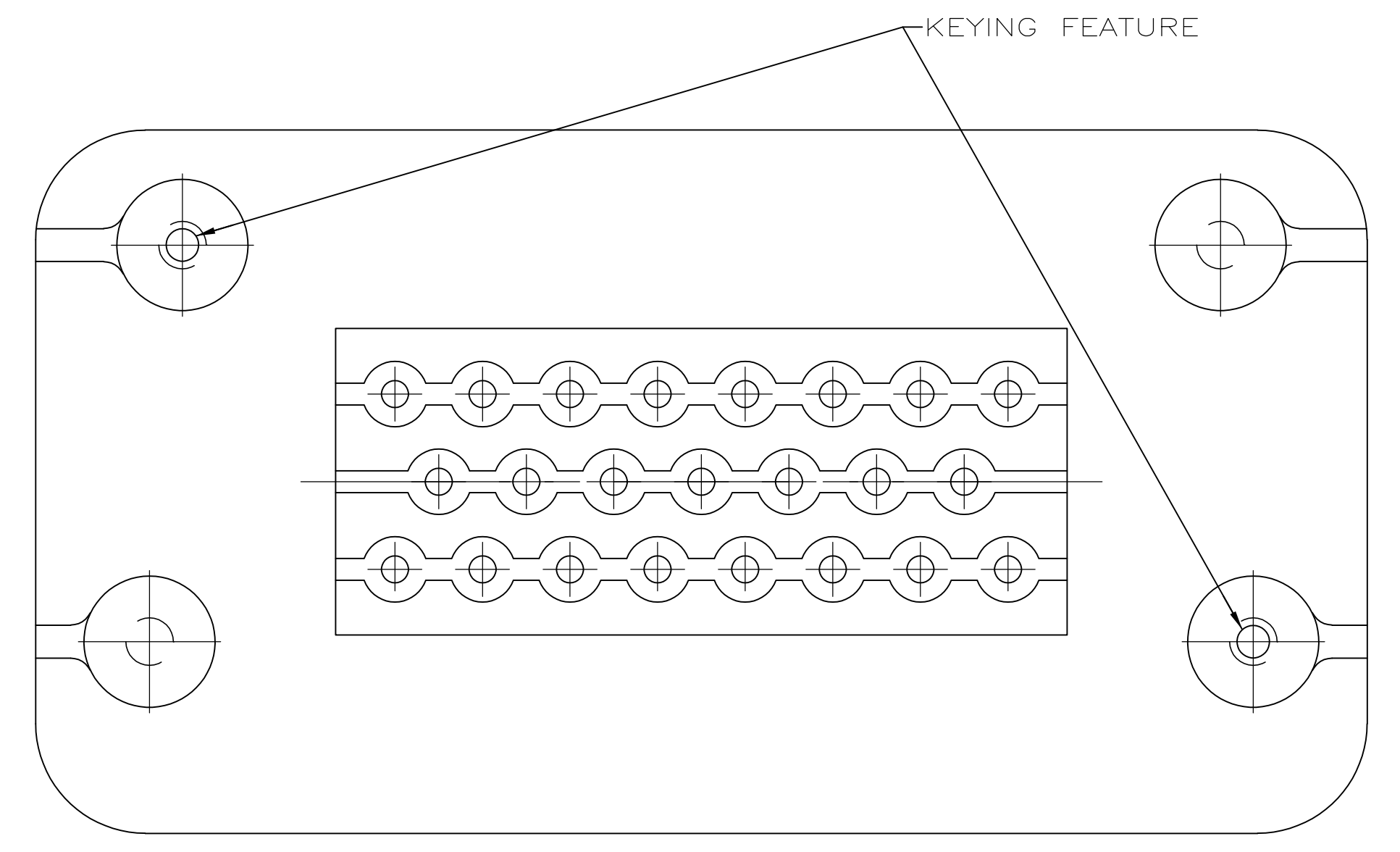
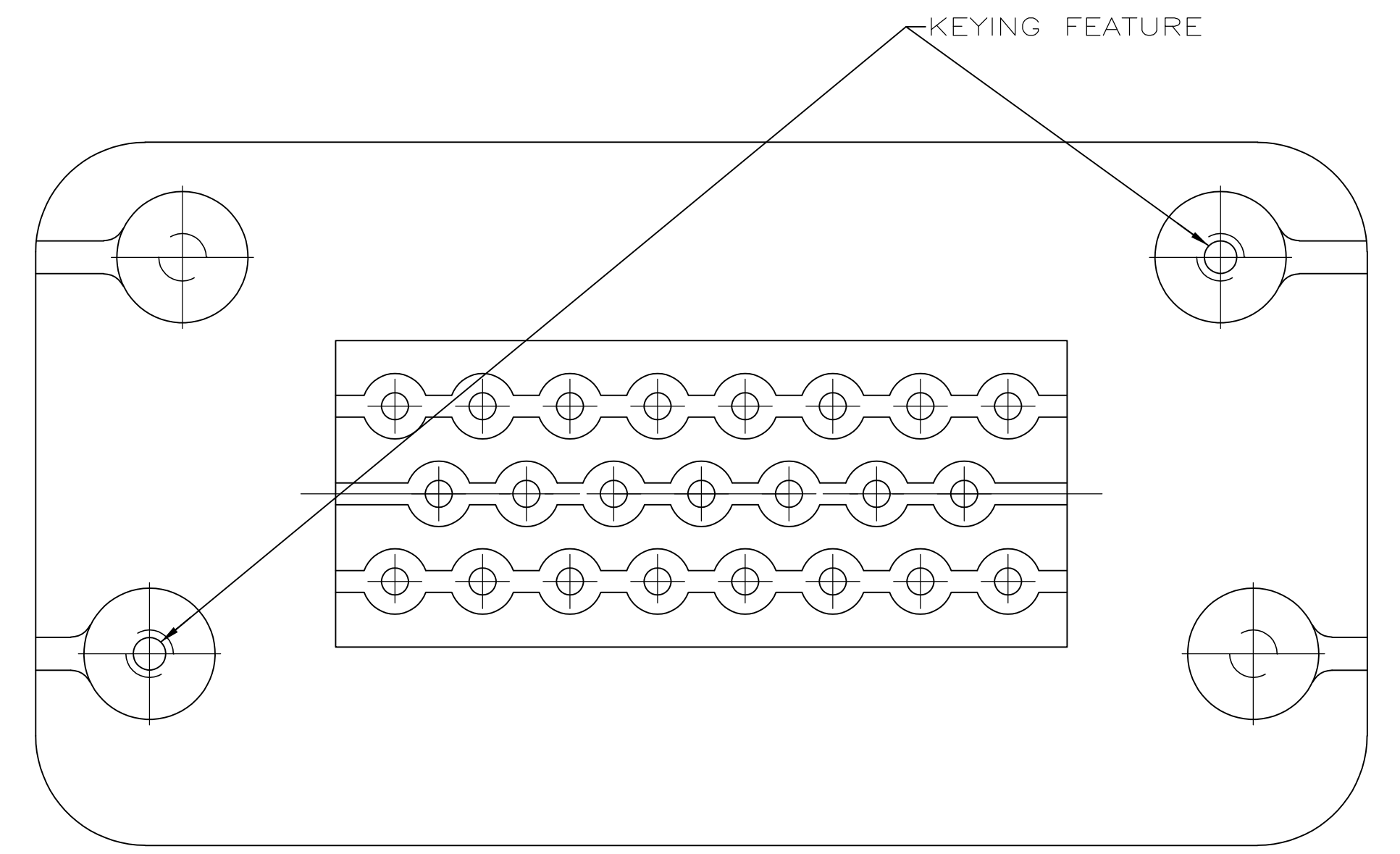


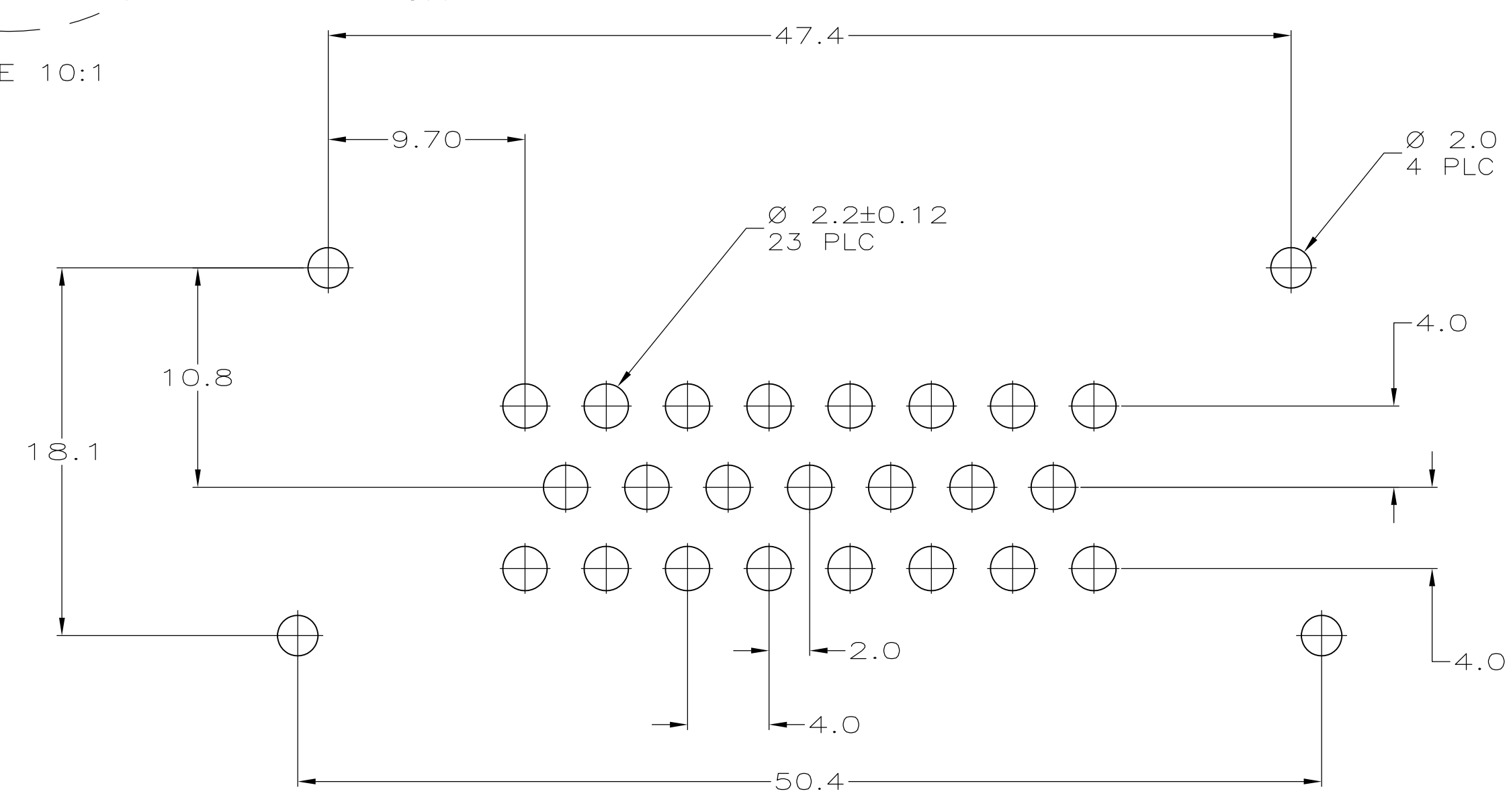
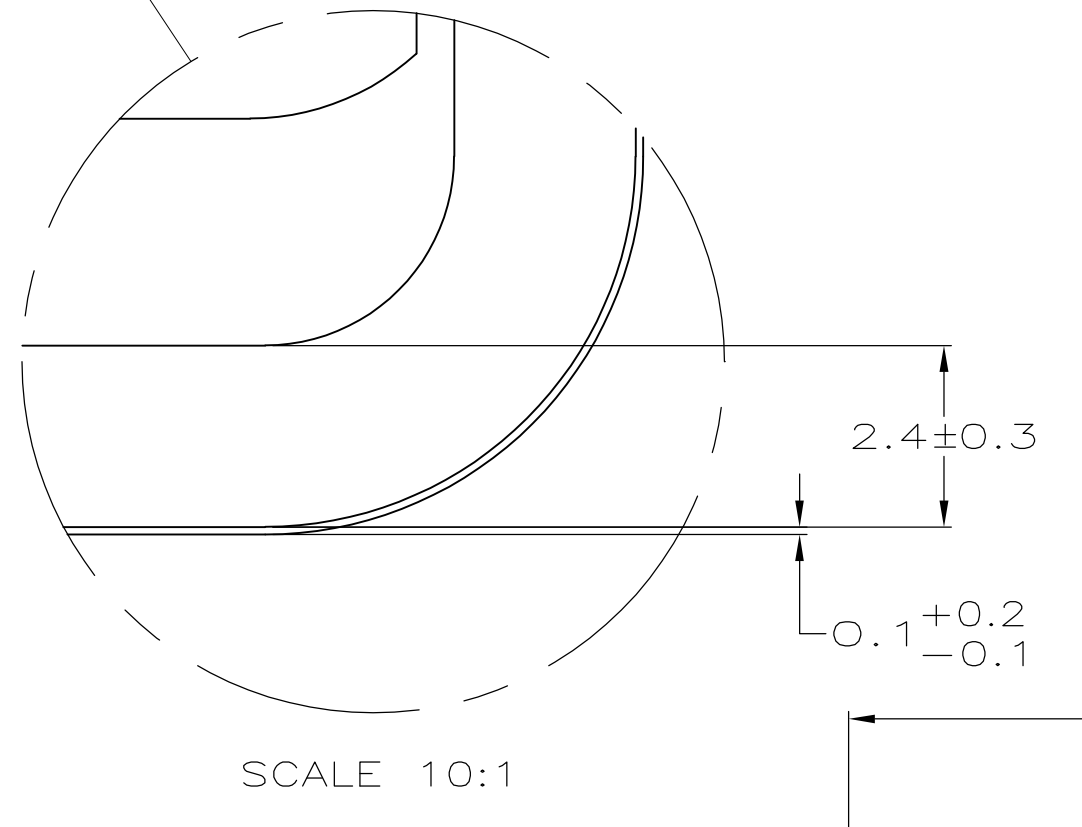
- ⚠ ACCEPTS #4 SELF TAPPING SCREW (ELCO HI-LO THREAD CUTTING STYLE OR EQUIVALENT) TO BE DRIVEN AT 0.6±0.2 N-M.
- ⚠ HOUSING COLORS ARE MECHANICALLY KEYED TO MATE ONLY WITH IDENTICALLY COLORED PLUG ASSEMBLIES.
- ⚠ GASKET TO BE MADE FROM SILICONE (TE P/N 0-0988206-1, SARA #33341). GASKET WILL BE U.V. CURED IN PLACE.



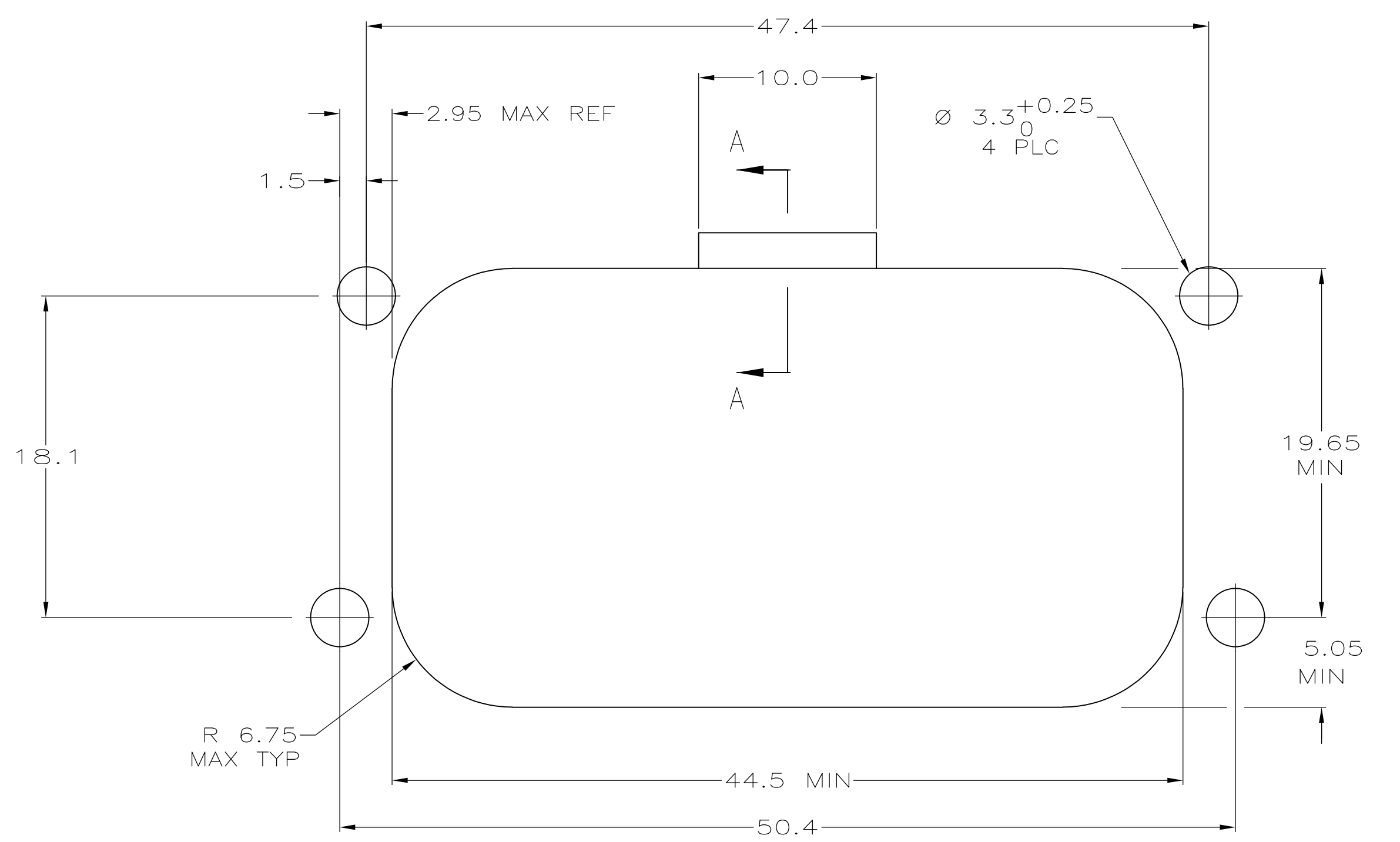
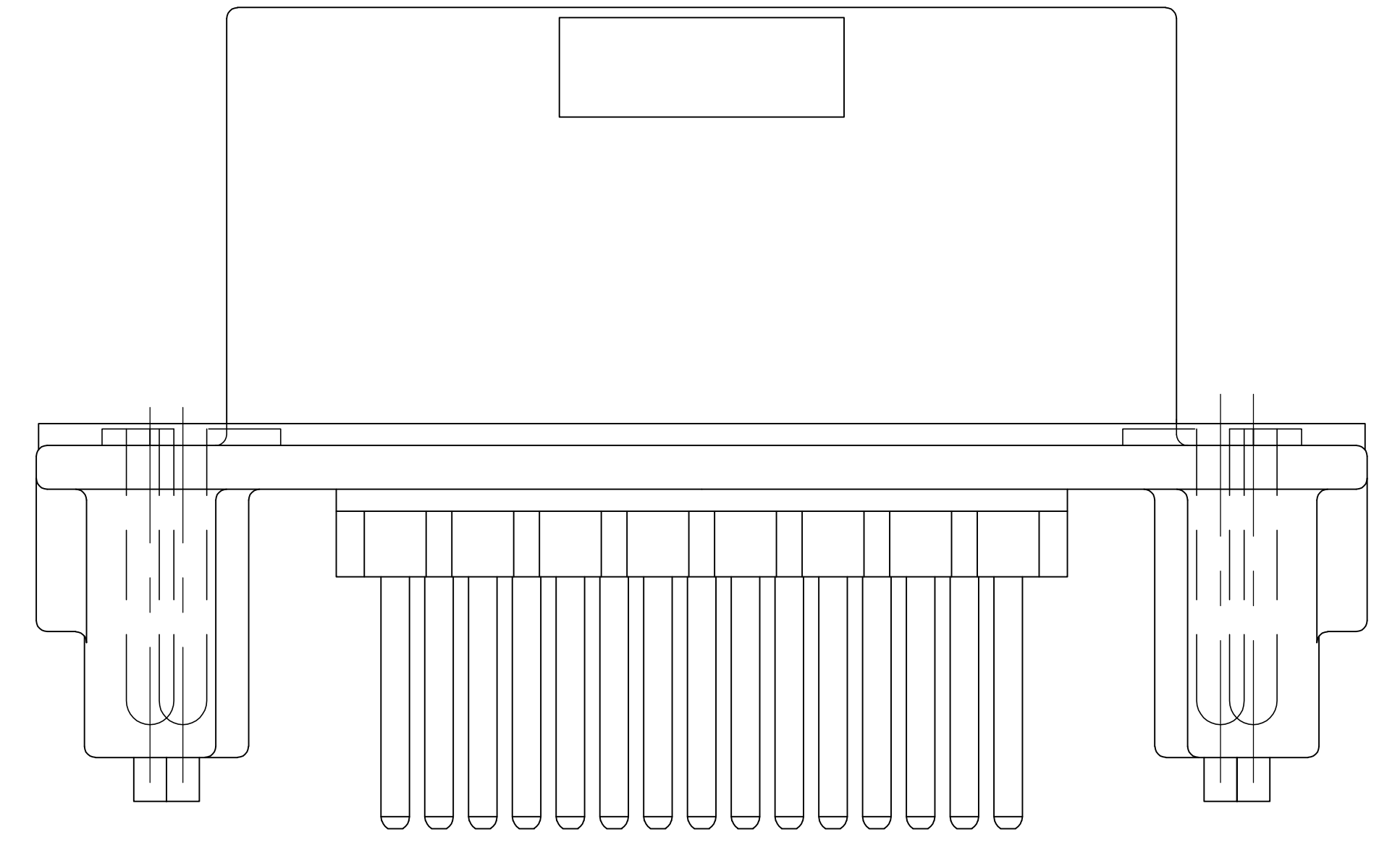
KEYING FOR 776228-1 AND 776228-5



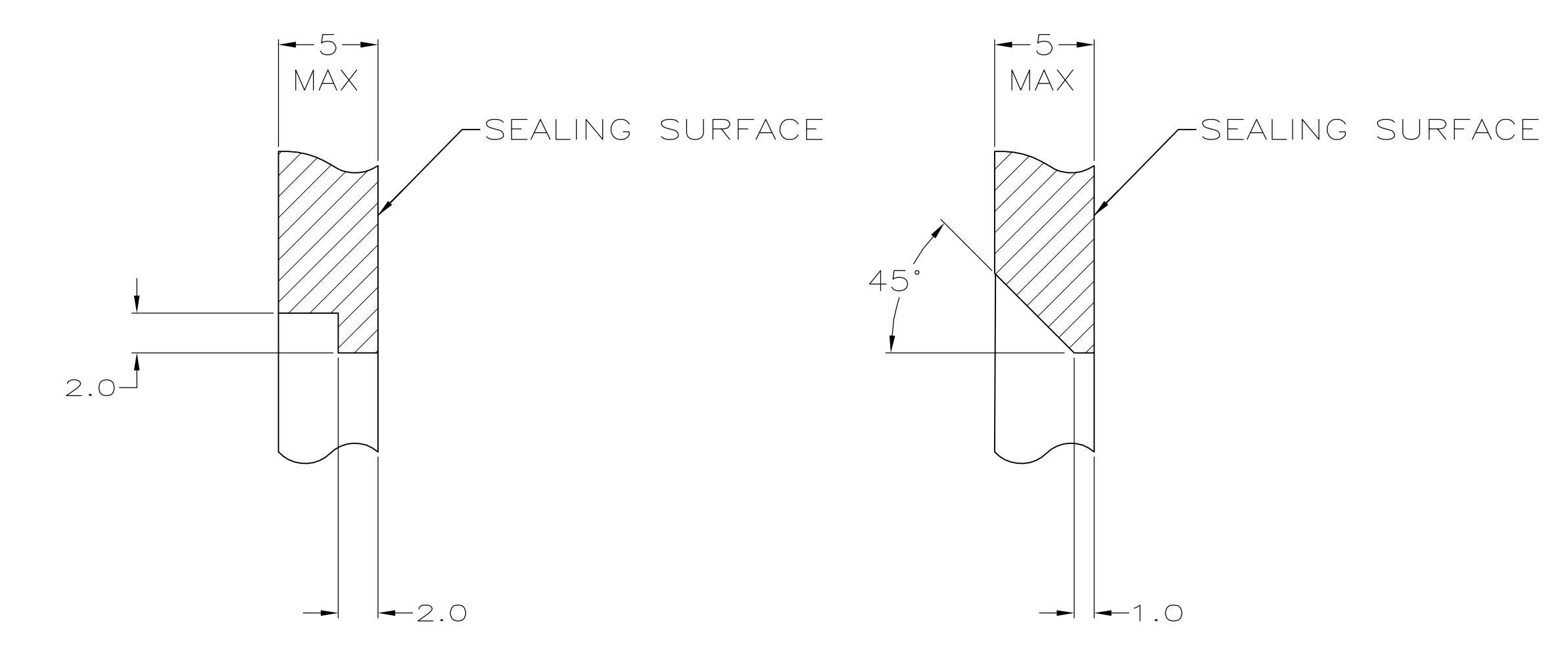
KEYING FOR 776228-2 AND 776228-4



RECOMMENDED P.C. BOARD LAYOUT FOR 1.57 THICK P.C. BOARD



RECOMMENDED MOUNTING HOLE LAYOUT FOR 5.0 MAX THICK PANEL



SECTION A-A
OPTIONAL CONSTRUCTION IF THICKNESS IS GREATER THAN 2.0

GASKET MATERIAL	DESCRIPTION	PART NUMBER
⚠	MAKE FROM 1-776220-5	1-776228-5
⚠	MAKE FROM 1-776220-4	1-776228-4
⚠	MAKE FROM 1-776220-2	1-776228-2
⚠	MAKE FROM 1-776220-1	1-776228-1
⚠	MAKE FROM 776220-5	776228-5
⚠	MAKE FROM 776220-4	776228-4
⚠	MAKE FROM 776220-3	776228-3
⚠	MAKE FROM 776220-2	776228-2
⚠	MAKE FROM 776220-1	776228-1

THIS DRAWING IS A CONTROLLED DOCUMENT. DATE: 7-21-97
 I. P. COLLINS
 D. STILLIE
 J. BROWNE
 DIMENSIONS: UNLESS OTHERWISE SPECIFIED: INCHES
 FINISH: SEE TABLE
 MATERIAL: SEE TABLE
 TYPICAL DIMENSIONS: 0.125, 0.25, 0.5, 1.0, 1.5, 2.0, 3.0, 4.0, 5.0, 6.0, 8.0, 10.0, 12.5, 15.0, 20.0, 25.0, 30.0, 40.0, 50.0, 60.0, 75.0, 100.0, 125.0, 150.0, 200.0, 250.0, 300.0, 400.0, 500.0, 600.0, 800.0, 1000.0
 PRODUCT SPEC: 109-1329
 APPLICATION SPEC: 114-16016
 WEIGHT: -
 CUSTOMER DRAWING
 Tyco Electronics Corporation, Harrisburg, PA 17105-3608
 HEADER ASSEMBLY, 23 POSITION, VERTICAL AMPSEAL, TM
 SIZE: 4.1 x 4.1
 SHEET: 1 of 1
 REV: C2