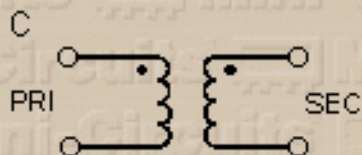


RF Transformer



Configuration Type:



TMO6-ED11083/1

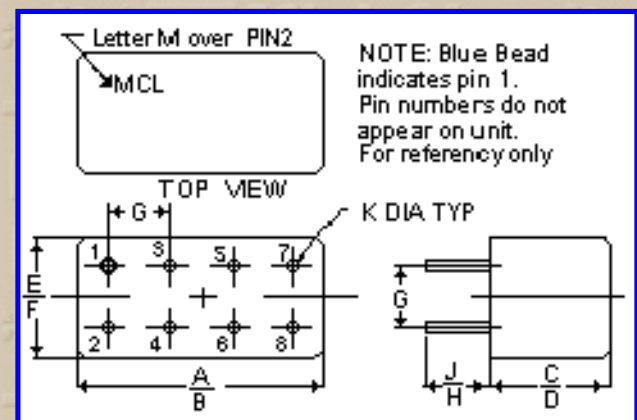
Ω RATIO	Frequency MHz	Insertion Loss			Case Style	Conn- ection
		3 dB MHz	2 dB MHz	1 dB MHz		
6	0.30-70	0.30-70	2.00-10	-	A03	fb

Pin Connections

Port	Primary Dot	Primary	Primary CT	Second- ary Dot	Second- ary	Second- ary CT	Gnd Ext.	Case Gnd	Not Used
fb	1	5	-	2	6	-	-	7,8	3,4

Notes:

- Non-catalog model. Please consult factory for price and delivery.
- General Quality Control Procedures and Environmental Specifications are given in [Mini-Circuits Guarantees Quality](#). Hi-Rel, MIL description are given in [Hi-Rel and MIL](#).
- Prices and Specifications subjects to change without notice.



FREQ. (MHz)	Insertion Loss(dB)	Input Return Loss(dB)
0.300	0.88	8.08
0.400	0.56	10.13
0.500	0.41	11.79
0.600	0.33	13.17
0.700	0.29	14.34
0.800	0.27	15.31
0.900	0.27	16.13
1.000	0.28	16.81
1.500	0.37	18.91
2.000	0.45	20.06
2.250	0.48	20.49
2.500	0.51	20.87
2.750	0.54	21.20
3.000	0.57	21.49
3.250	0.59	21.76
3.500	0.61	21.99
3.750	0.63	22.21
4.000	0.65	22.40
4.500	0.68	22.73
5.000	0.71	23.00
5.250	0.73	23.11
5.500	0.74	23.21

Case Style - A03 (inch,mm) weight: 2.3 grams.

A	B	C	D	E	F	G	H	J
.480	.500	.390	.405	.210	.230	.100	.20	.14
12.192	12.700	9.906	10.287	5.334	5.842	2.540	5.080	3.556
K	L	M	N	P	Q	R	S	T
.020								
0.508								

Tolerance: .x ± .1 .xx ± .03 .xxx ± .015 inch.

Material and Finish:

Header material: C.R.S. Pin material: #52 alloy. Finish: electro tin, hot-oil flowed. Cover material:upro-nickel.

Mounting:

Insulated spacer available. Request P/N B-14-047-01.

Pin's meniscus (of header): 0.015" max.

Special Tolerances:

Pin diameter ±.005 inch.

5.750	0.75	23.30
6.000	0.76	23.38
6.500	0.79	23.52
7.000	0.81	23.62
7.500	0.83	23.71
8.000	0.85	23.76
8.500	0.86	23.80
9.000	0.88	23.83
10.000	0.92	23.84
20.000	1.18	23.28
30.000	1.40	22.94
40.000	1.59	23.03
50.000	1.76	23.44
60.000	1.94	24.15
70.000	2.11	25.15



Distribution Centers NORTH AMERICA 800-654-7949 • 417-335-5935 • Fax 417-335-5945 • EUROPE • 44-1252-832600 • Fax 44-1252-837010

INTERNET <http://www.minicircuits.com>

P.O. Box 350166, Brooklyn, New York 11235-0003 (718) 934-4500 Fax (718) 332-4661

ISO 9001 CERTIFIED

[Back](#)

i2 Technologies US, Inc.

HTML Pages converted to PDF Document

This document contains component information from the manufacturer's website which is not available in a revision controlled document from the manufacturer. To facilitate the addition of these parts into the Electronics Database, we are converting the HTML pages related to that part, from the manufacturer's website into Adobe PDF format. The contents of this document are based on the information provided on the manufacturer's website, therefore the information may have been changed by the manufacturer since this was created.

