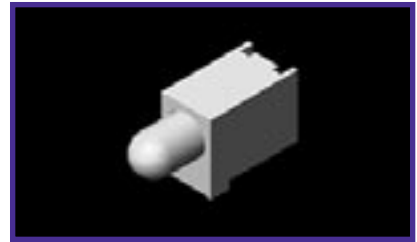
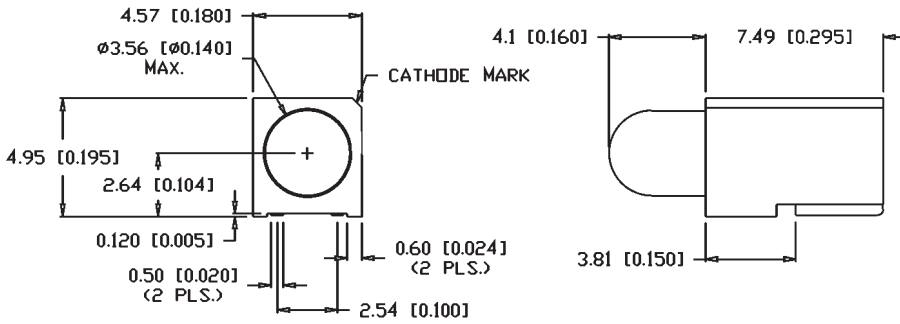


1
2
3
4
5
6
7
8
9
10
11
12
13
14
15
16
17
18
19
20
21
22
23
24
25
26
27
28
29

SSF-LXH306XD-TR

Right Angle T3mm 2-Leaded Lower Center Line

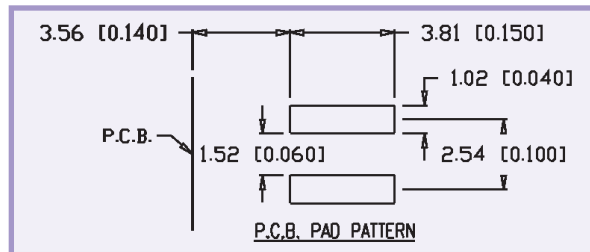


Features/Options

- ▶ LED and Holder Assembly For Higher Off-Board Light Location
- ▶ Right Angle or Straight Up Package With Outstanding Solder Heat Tolerance
- ▶ Lensed LED Provides Focused Light Emission
- ▶ Endless Choice of Colors (Limited to LEDs)
- ▶ Available Off-the-Shelf

Applications/Uses

- ▶ Right Angle Panel or Fault Indicators
- ▶ Front Panel Backlighting of Overlays
- ▶ Edgelighting of Keypads or Information Panels
- ▶ ESD Safe (When Available) Indicators



SSF-LXH306 Package Style - Super Bright

Right Angle T3mm 2-Leaded Lower Center Line

Lumex Part Number	Die Material	Emitted Color	Peak (nm)	Lens	Axial Intensity @ If=20mA	V _f Typ @ If=20mA	V _f Max @ If=20mA	View Angle° 2θ	Reel Size (pcs)	Reflow Profile Pg. 134	Tape Specs Pg. 134
SSF-LXH306SGD-TR	GaP	Super Green	565	Green Diffused	50	2.2	2.6	60	1000	Figure 3	Figure D
SSF-LXH306SID-TR	AllnGaP	Super High Intensity Red	636	Red Diffused	250	2.0	2.6	60	1000	Figure 3	Figure D
SSF-LXH306SOD-TR	AllnGaP	Super Orange	610	Orange Diffused	250	2.0	2.5	60	1000	Figure 3	Figure D
SSF-LXH306SRD-TR	GaAlAs	Super Red	660	Red Diffused	200	1.7	2.2	60	1000	Figure 3	Figure D
SSF-LXH306SYD-TR	AllnGaP	Super Yellow	590	Yellow Diffused	100	2.0	2.5	60	1000	Figure 3	Figure D

SSF-LXH306 Package Style - Ultra Bright

Right Angle T3mm 2-Leaded Lower Center Line

Lumex Part Number	Die Material	Emitted Color	Peak (nm)	Lens	Axial Intensity @ If=20mA	V _f Typ @ If=20mA	V _f Max @ If=20mA	View Angle° 2θ	Reel Size (pcs)	Reflow Profile Pg. 134	Tape Specs Pg. 134
SSF-LXH306USBD-TR	InGaN	Ultra Super Blue	470	Blue Diffused	120	3.5	4.0	60	1000	Figure 3	Figure D
SSF-LXH306UPGD-TR	InGaN	Ultra Pure Green	525	Green Diffused	100	3.5	4.0	60	1000	Figure 3	Figure D



USA/Canada 1-800-278-5666
 Asia +886-3-5821124



www.lumex.com



USA/Canada 1-847-359-8904
 Asia +886-3-5821154