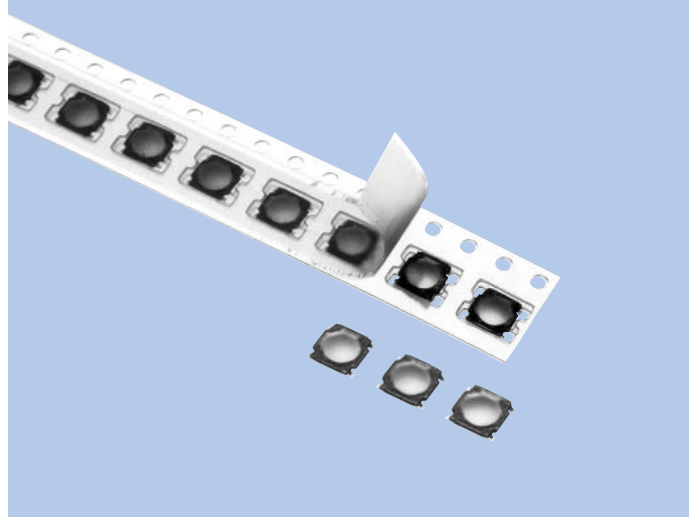


# Super Thin type Tactile Switches SOT Series

## FEATURES

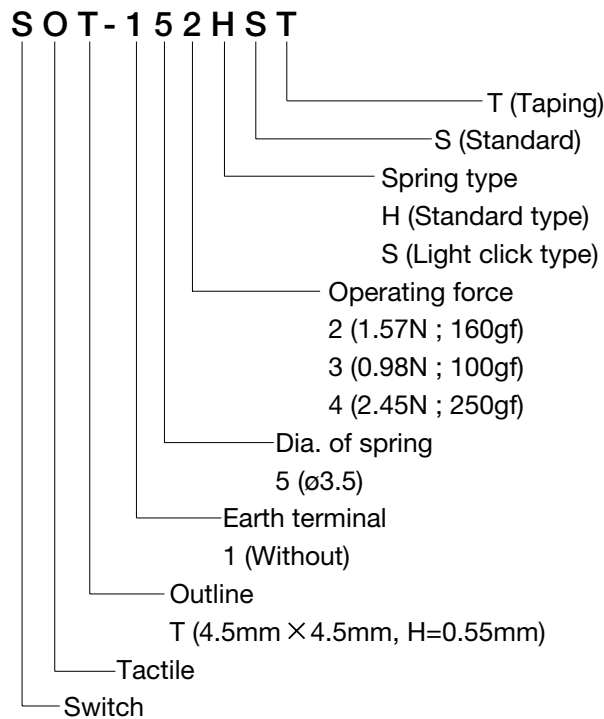
1. 0.55mm in thickness and 4.5mm in square.
2. Suitable for SMT reflow soldering.
3. Using the stainless steel click spring with long life and sharp feeling.
4. Excellent dust proof and flux resistance.



## APPLICATIONS

1. For portable audios, visual products, mobile phones, PDAs, and other compact equipment.

## MODEL NAME CODE



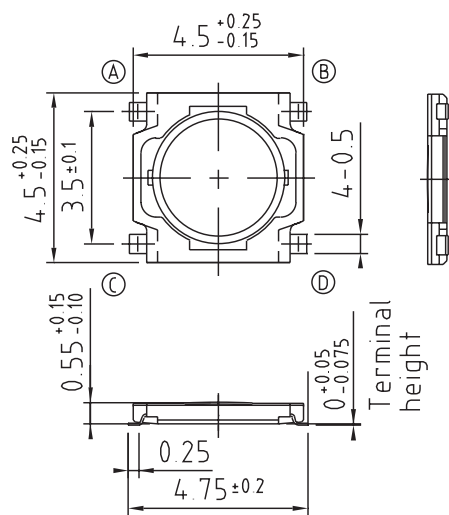
## SPECIFICATIONS

Electrical Characteristics	Rating	20mA, 15V DC
	Contact Resistance	200mΩ or less
	Insulation Resistance	50MΩ or more
	Withstand Voltage	1 minute at 100V AC
Mechanical Characteristics	SOT-152HST · SOT-152SST	1.57N (160gf)
	SOT-153HST	0.98N (100gf)
	SOT-154HST	2.45N (250gf)
Life	SOT-152HST · SOT-152SST	500,000 cycles
	SOT-153HST	1,000,000 cycles
	SOT-154HST	200,000 cycles

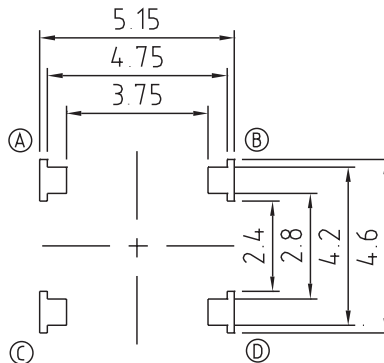
## TYPE

Model Name Code	Order Number	Operating Force	Package
SOT-152HST	R66 5992	1.57N (160gf)	5,000pcs
SOT-152SST	R66 5994	1.57N (160gf) : Light click	5,000pcs
SOT-153HST	R66 6355	0.98N (100gf)	5,000pcs
SOT-154HST	R66 5993	2.45N (250gf)	5,000pcs

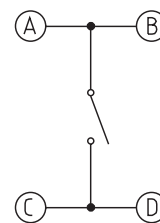
## DIMENSIONS



Reference Land form  
(TOLERANCE ±0.05)

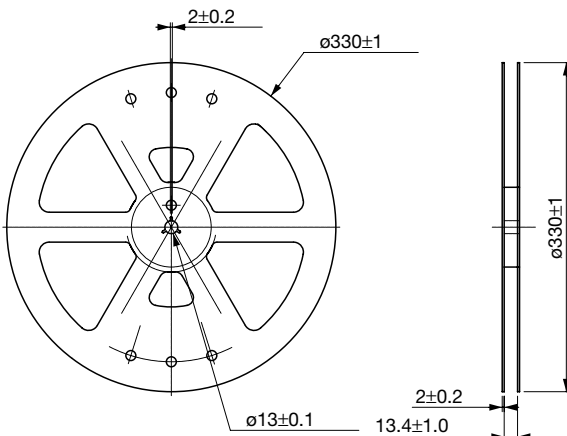


Circuit Diagram

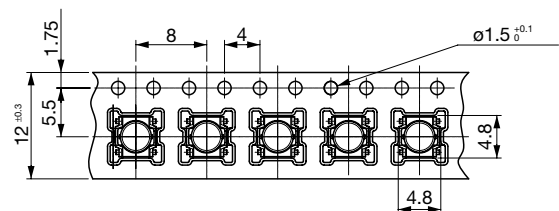


Unit : mm

Reel Dimensions



Plastic Tape Dimensions



Unit : mm

\*One reel accommodates 5,000 pieces (Ø330).