

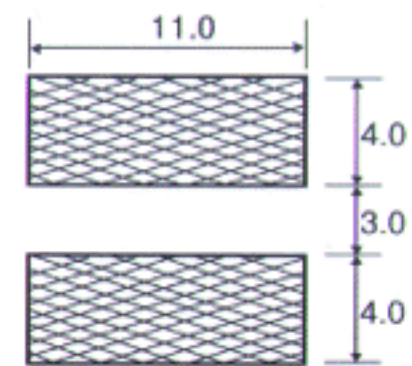
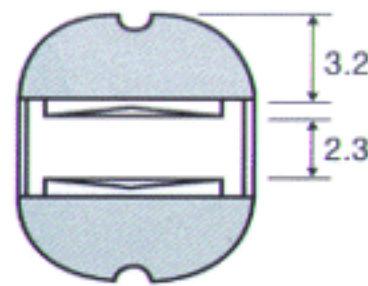
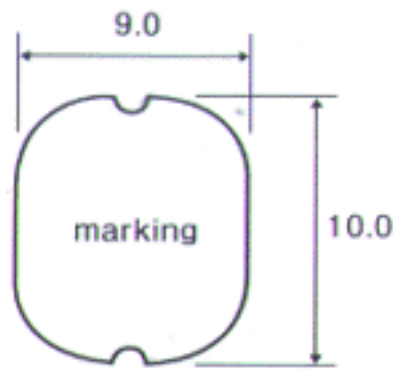
P1040 Series

Application

- ▶ Notebook Computer
- ▶ Battery charger
- ▶ DC/DC Converter
- ▶ Digital camera, Scanner
- ▶ CD-ROM & DVD



Shape & Dimensions (Unit:mm)



Tolerance : ± 0.2

(PCB Pattern)

Standard Specifications

Part No.	Inductance	D.C. Resistance	Rated Current
	($\mu\text{H} \pm 20\%$)	($\Omega \pm 20\%$)	(A max)
SFOP1040-2R3100	10	0.053	2.38
SFOP1040-1R8150	15	0.070	1.87
SFOP1040-1R6220	22	0.088	1.60
SFOP1040-1R4270	27	0.100	1.44
SFOP1040-1R2330	33	0.120	1.26
SFOP1040-1R2390	39	0.151	1.20
SFOP1040-1R1470	47	0.170	1.10
SFOP1040-1R0560	56	0.199	1.01
SFOP1040-R91680	68	0.223	0.91
SFOP1040-R74101	100	0.344	0.74
SFOP1040-R69151	150	0.544	0.69
SFOP1040-R61181	180	0.621	0.61
SFOP1040-R53221	220	0.721	0.53
SFOP1040-R42331	330	1.100	0.42
SFOP1040-R38391	390	1.245	0.38
SFOP1040-R35471	470	1.526	0.35
SFOP1040-R32561	560	1.904	0.32

1. Inductance Tested at 1kHz, 1Vrms.
2. Inductance measured by HP 4284A, PRECISION LCR METER
3. Inductance drop 10% typ. at rated current
4. Operating temperature range -40°C to $+85^{\circ}\text{C}$
5. Electrical specifications at 25°C