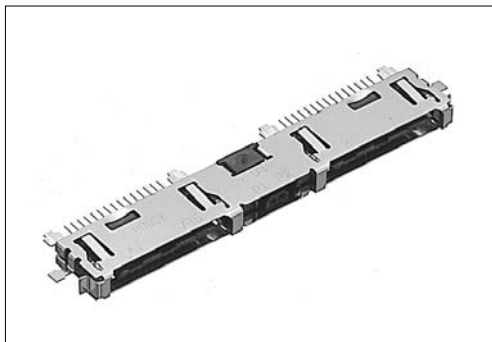


Right-angle SMT type 32-contacts male board connector RMC-EA32(R)MY-OM()-XMA()B()

For PCB

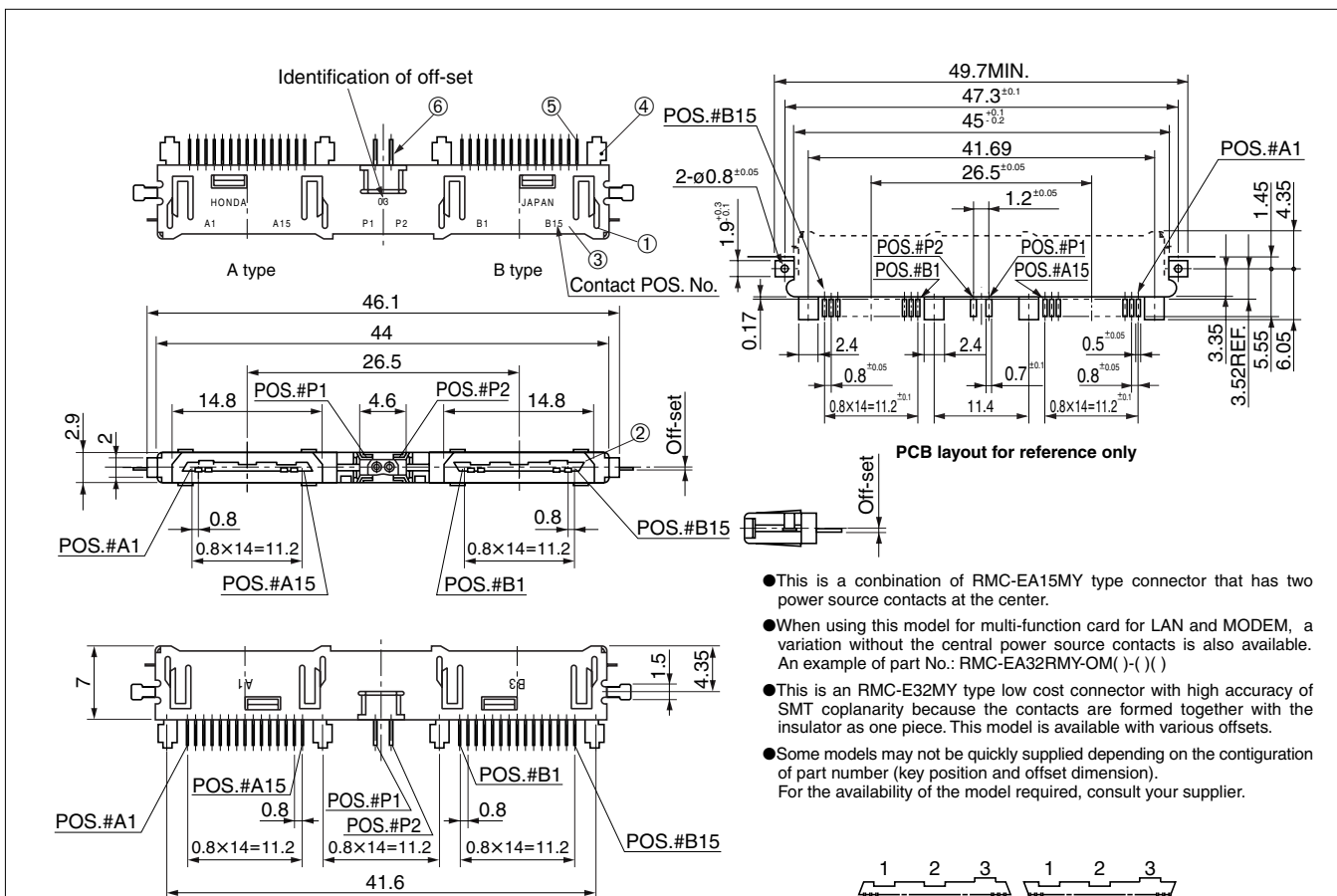
Right-angle SMT



● Configuration of product Part No.

RMC- EA 32 (R) MY -OM() -XMA() B()

- | | |
|---|---|
| <p>① Series name</p> <p>② EA: EMI-filtered, Contact, Locking hardware, Hold down, One-piece molded</p> <p>③ No. of contacts: 32 (30 + 2 contacts)</p> <p>④ Blank: Two power source contacts are available.
R: Two power source contacts are not available (30-contacts type)</p> <p>⑤ MY: SMT type, male</p> <p>⑥ Off-set
OM00: Off-set 0 mm, OM03: Off-set 0.3 mm
OM06: Off-set 0.6 mm</p> | <p>⑦ Forms and locations of polarization keys
XMA B : A type, key-less B type, key-less
XMA3 B3 : A type, key 3 B type, key 3
XMA2 B3 : A type, key 2 B type, key 3
XMA1 B3 : A type, key 1 B type, key 3</p> |
|---|---|



- This is a combination of RMC-EA15MY type connector that has two power source contacts at the center.
- When using this model for multi-function card for LAN and MODEM, a variation without the central power source contacts is also available. An example of part No.: RMC-EA32RMY-OM()-()
- This is an RMC-E32MY type low cost connector with high accuracy of SMT coplanarity because the contacts are formed together with the insulator as one piece. This model is available with various offsets.
- Some models may not be quickly supplied depending on the configuration of part number (key position and offset dimension). For the availability of the model required, consult your supplier.

● Components

①	Locking hardware
②	Insulator
③	Shell
④	Hold down
⑤	Contacts
⑥	Contacts for power supply

● Locations of polarization keys

Part No.	Key location	Identification	Key location	Identification	Mating connectors
RMC-EA32(R)MY-OM()-XMA1B3	1	A1	3	B3	RMC-EB32(R)F()-BSLA()-A23B12
RMC-EA32(R)MY-OM()-XMA2B3	2	A2	3	B3	RMC-EB32(R)F()-BSLA()-A13B12
RMC-EA32(R)MY-OM()-XMA3B3	3	A3	3	B3	RMC-EB32(R)F()-BSLA()-A12B12

Mating connectors: Refer to the table shown