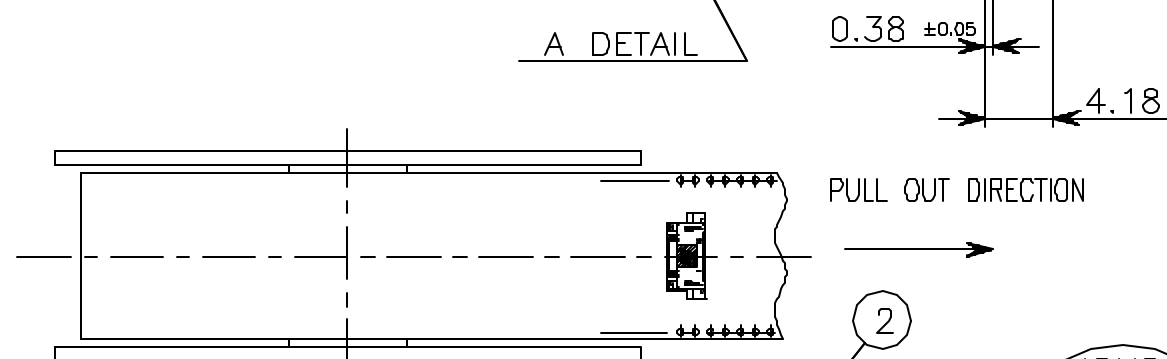
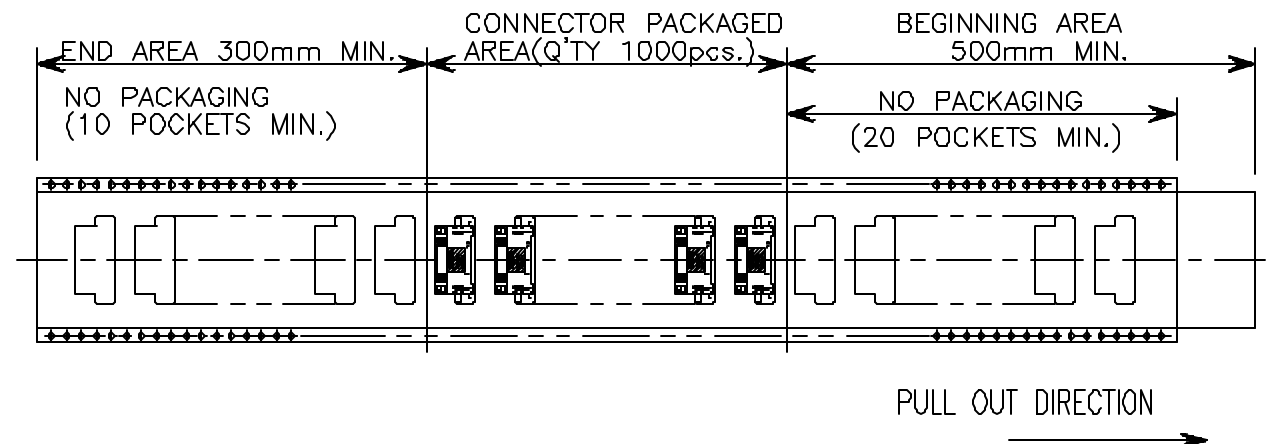
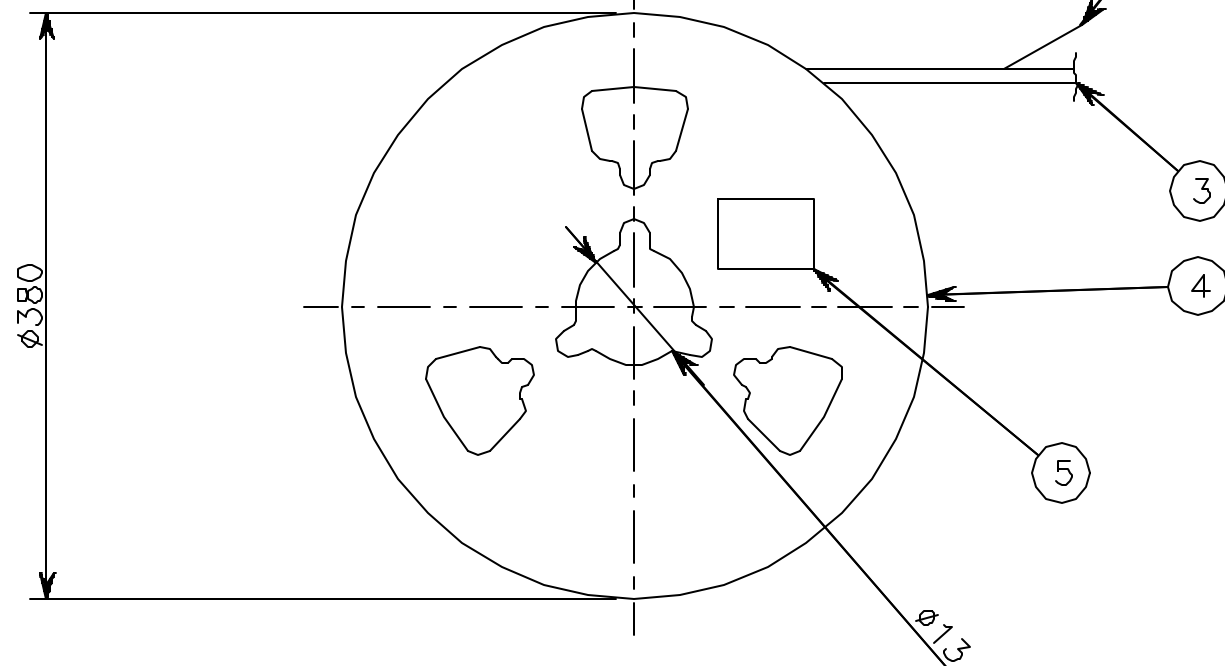


DETAIL A



PART No.	CONNECTOR P/N PACKAGED	PACKAGING QUANTITY
RMC-EA15MY-OM15-MAT-TP	RMC-EA15MY-OM15T-MA	1,000 PCS./REEL
RMC-EA15MY-OM15-MA1T-TP	RMC-EA15MY-OM15T-MA1	
RMC-EA15MY-OM15-MA2T-TP	RMC-EA15MY-OM15T-MA2	
RMC-EA15MY-OM15-MA3T-TP	RMC-EA15MY-OM15T-MA3	



HONDA
PRINT RM
AUG.4.1999
ISSUED

△				5	LABEL	PAPER	1			
△				4	REEL	PAPER	1			
△				3	EMBOSSD TAPE	A PET	1			
△				2	COVER TAPE	P.E.	1			
△				1	CONNECTOR		1000			
LTR.	DATE	BY	REV.	NO.	DESCRPT	PART NAME	MATERIAL	QTY	FINISH	NOTE

DATE	SCALE	UNIT	3RD . A . P			HONDA TSUSHIN KOGYO., LTD.				
AUG.04 (1999)	2/1	mm<INCH>	DR.	DE.	CHK.	CHK.	APP.	NAME	RMC-EA15POS. MALE CONNECTOR WITH EMBOSSD TAPE AND REEL	
								PART NO.	RMC-EA15MY-OM15-MA()T-TP	

RMC-EA15MY-S024TP E'