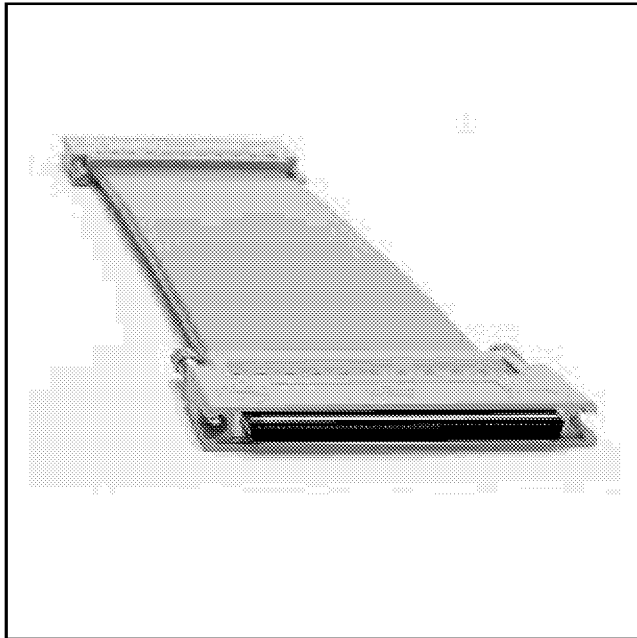


Pleated Foil I/O Cable Assemblies

MDR Version



210

Overmolded Assemblies
Metal Shell Assemblies
Low Profile Clam Shell Assemblies

IMPORTANT NOTICE TO PURCHASER

ALL STATEMENTS, TECHNICAL INFORMATION AND RECOMMENDATIONS CONTAINED HEREIN ARE BASED ON TESTS WE BELIEVE TO BE RELIABLE, BUT THE ACCURACY OR COMPLETENESS THEREOF IS NOT GUARANTEED, AND THE FOLLOWING IS MADE IN LIEU OF ALL WARRANTIES, EXPRESSED OR IMPLIED:

SELLER'S AND MANUFACTURER'S ONLY OBLIGATION SHALL BE TO REPLACE SUCH QUANTITY OF THE PRODUCT PROVED TO BE DEFECTIVE. NEITHER SELLER NOR MANUFACTURER SHALL BE LIABLE FOR ANY INJURY, LOSS OR DAMAGE, DIRECT OR CONSEQUENTIAL, ARISING OUT OF THE USE OF OR THE INABILITY TO USE THE PRODUCT. BEFORE USING, USER SHALL DETERMINE THE SUITABILITY OF THE PRODUCT FOR HIS INTENDED USE, AND USER ASSUMES ALL RISK AND LIABILITY WHATSOEVER IN CONNECTION THEREWITH. NO STATEMENT OR RECOMMENDATION NOT CONTAINED HEREIN SHALL HAVE ANY FORCE OR EFFECT UNLESS IN AN AGREEMENT SIGNED BY OFFICERS OR SELLER AND MANUFACTURER.

Date Issued: October 2, 1998

TS-0804-03
Sheet 1 of 4

Physical

Cable: See TS-0285, TS-0402, TS-0451 and TS-0598

Connectors: See TS-0423 and TS-0424

Connector Metal Shells: See TS-0473, TS-0655, TS-0396 and TS-0355

Connector Overmold

Strain Relief Material: Glass Reinforced Polyester (PBT)

Jackscrews

Material: Steel

Plating: Black Oxide (M2.5)

Electroless Nickel (4-40)

Electrical

Insulation Resistance: $>5 \times 10^9$ @ 500 Vdc

Impedance: 50 and 75 Ω

Environmental

Temperature Rating: 75°C max

UL File No.: E86982 (Optional)

3M Electronic Products Division

6801 River Place Blvd.
Austin, TX 78726-9000

For Technical information and quoting call

800-334-7372

For ordering information call

800-225-5373

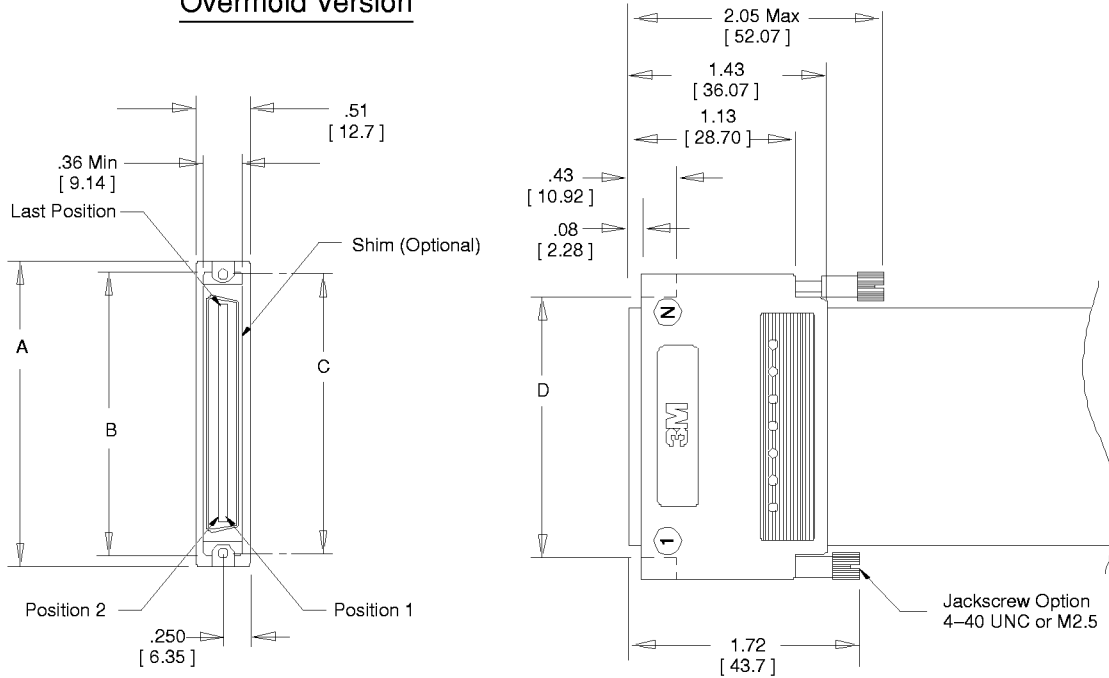
Pleated Foil I/O Cable Assemblies

MDR Version

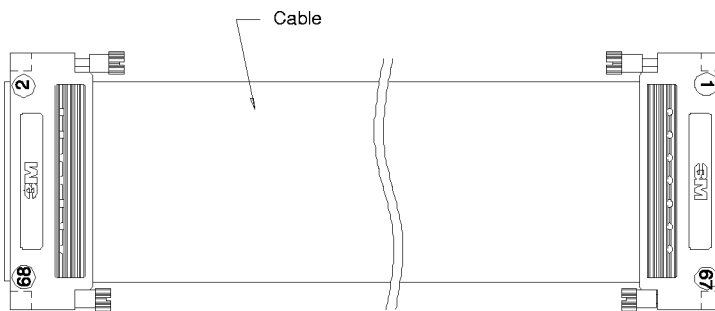
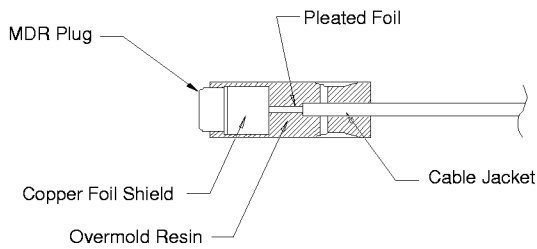
Contact Quantity	Dimension A	Dimension B	Dimension C	Dimension D
68	2.52 [63.9]	2.32 [58.8]	2.22 [57.9]	2.11 [53.5]
80	2.81 [71.4]	2.61 [66.3]	2.58 [65.4]	2.41 [61.0]
100	3.32 [84.2]	3.12 [79.1]	3.08 [78.3]	2.91 [73.9]

Assembly Tolerances	
Length and Tolerance	
<36"	±1"
36" to 120"	±2"
120" to 240"	±4"
>240"	±6"
Minimum Length: 8"	

Overmold Version



N = Last Position Number



68 Position Shown

Inch [mm]			
Tolerance Unless Noted			
	.0	.00	.000
Inch	±.1	±.01	±.005

[] Dimensions for Reference only

TS-0804-03
Sheet 2 of 4

3M Electronic Products Division

6801 River Place Blvd.
Austin, TX 78726-9000

For Technical information and quoting call

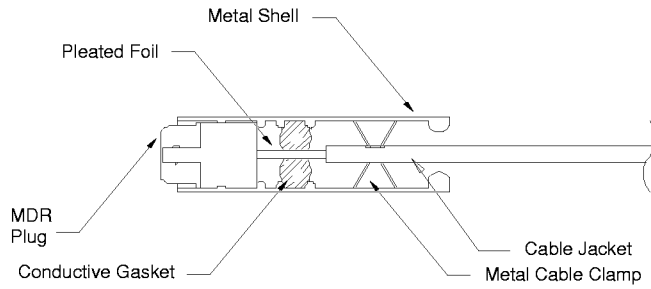
800-334-7372

For ordering information call

800-225-5373

Pleated Foil I/O Cable Assemblies

MDR Version

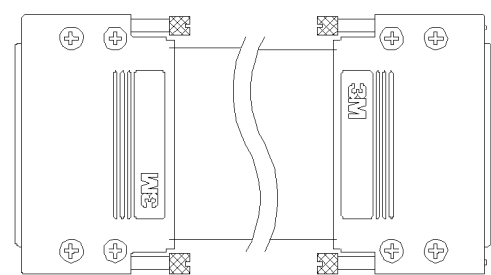
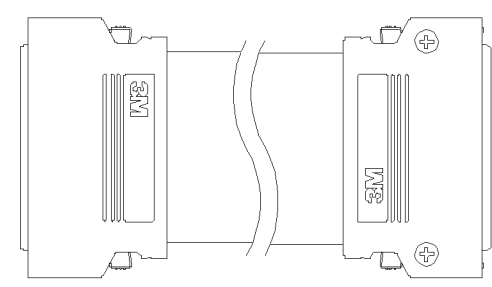
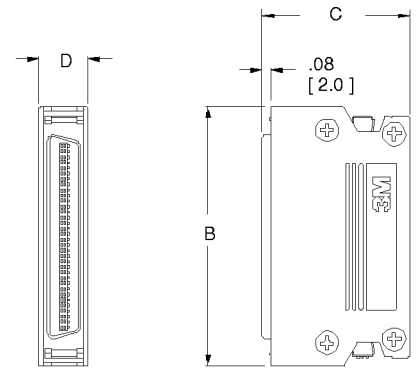
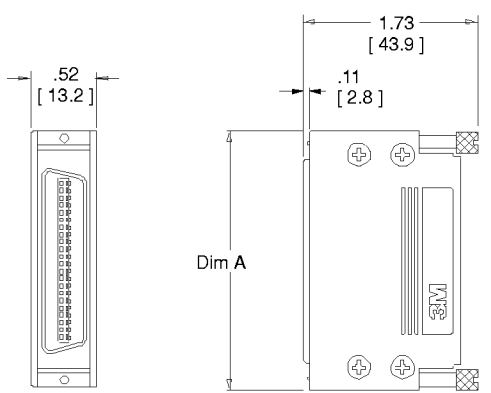


Assembly Tolerances	
Length and Tolerance	
<36":	±1"
36" to 120":	±2"
120" to 240":	±4"
>240":	±6"
Minimum Length:	
20-50 Position:	6"
68-100 Position:	8"

Thumbscrew Version

Quick Release Version

Metal Shell with Thumbscrew Version	
Contact Quantity	Dimension A
68	2.52 [63.8]
80	2.82 [71.4]
100	3.32 [64.1]



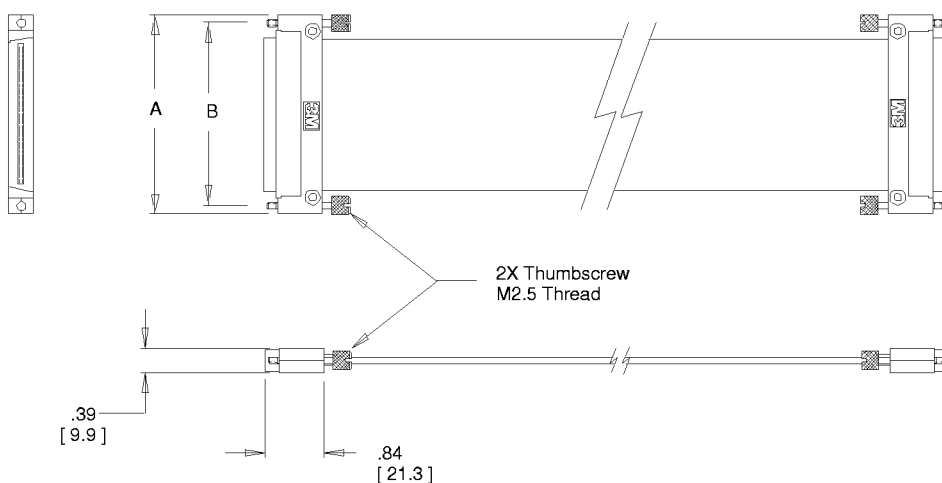
Metal Shell with Quick Release Version			
Contact Quantity	Dimension B	Dimension C	Dimension D
20	1.17 [29.7]	1.55 [37.19]	.42 [10.7]
26	1.31 [33.3]	1.50 [36.25]	
36	1.57 [39.9]		
40	1.67 [42.4]		
50	1.93 [49.0]	1.35 [34.3]	.46 [11.7]
68	2.37 [60.2]		

TS-0804-03
Sheet 3 of 4

Assembly Tolerances	
Length and Tolerance	
<36"	±1"
36" to 120"	±2"
120" to 240"	±4"
>240"	±6"
Minimum Length: 6"	

Low Profile Clam Shell Version

Contact Quantity	Dimension A	Dimension B
68	2.51 [63.8]	2.28 [57.9]
80	2.81 [71.3]	2.58 [65.5]

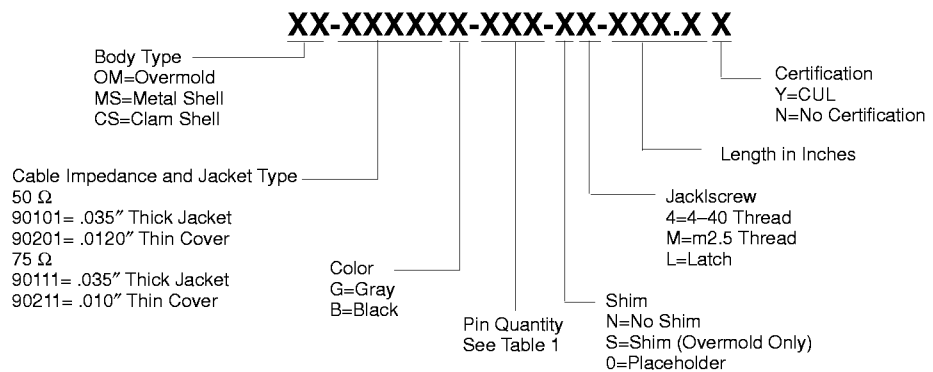


Inch
[mm]

Tolerance Unless Noted			
	.0	.00	.000
Inch	±.1	±.01	±.005

[] Dimensions for Reference only

Ordering Information



TS-0804-03
Sheet 4 of 4