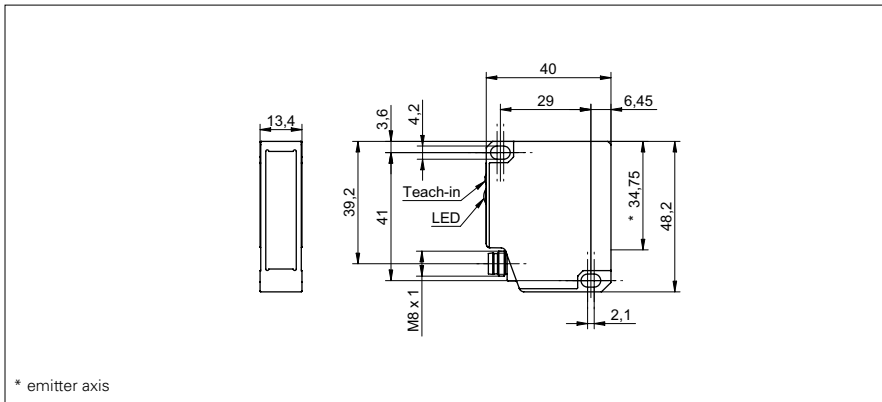


## Diffuse sensors with background suppression

## OHDM 13 (Laser)

### sample drawing



### general data

type	background suppression
light source	pulsed red laser diode
sensing distance $T_w$	50 ... 550 mm
sensing range $T_b$ (at $T_w$ max.)	50 ... 550 mm
sensing range $T_b$ (at $T_w$ min.)	16 ... 17 mm
power on indication	LED green
light indicator	LED red
sensing distance adjustment	Teach-in
laser class	2

### electrical data

response time	< 5 ms
release time	< 15 ms
voltage supply range +Vs	12 ... 28 VDC
current consumption max.	80 mA
current consumption typ.	40 mA
voltage drop $V_d$	< 2,8 VDC
output function	light / dark operate
output current	< 100 mA
short circuit protection	yes
reverse polarity protection	yes, Vs to GND

### mechanical data

width / diameter	13,4 mm
height / length	48,2 mm
depth	40 mm
type	rectangular
housing material	aluminum
front (optics)	glass
connection types	connector M8 4 pin

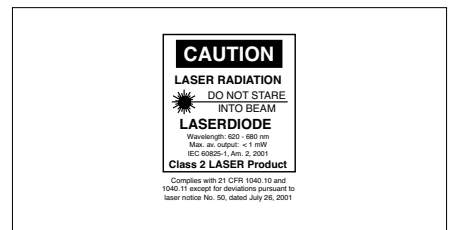
### ambient conditions

operating temperature	0 ... +50 °C
protection class	IP 67

### sample picture



### laser warning



**Diffuse sensors with  
background suppression****OHDM 13 (Laser)**

order reference	output circuit	wave length	beam type	beam width	beam height	beam diameter
OHDM 13N6901/S35A	NPN	675 nm	point	-	-	1 mm
OHDM 13N6951/S35A	NPN	650 nm	line	2	4 ... 13	-
OHDM 13P6901/S35A	PNP	675 nm	point	-	-	1 mm
OHDM 13P6951/S35A	PNP	650 nm	line	2	4 ... 13	-