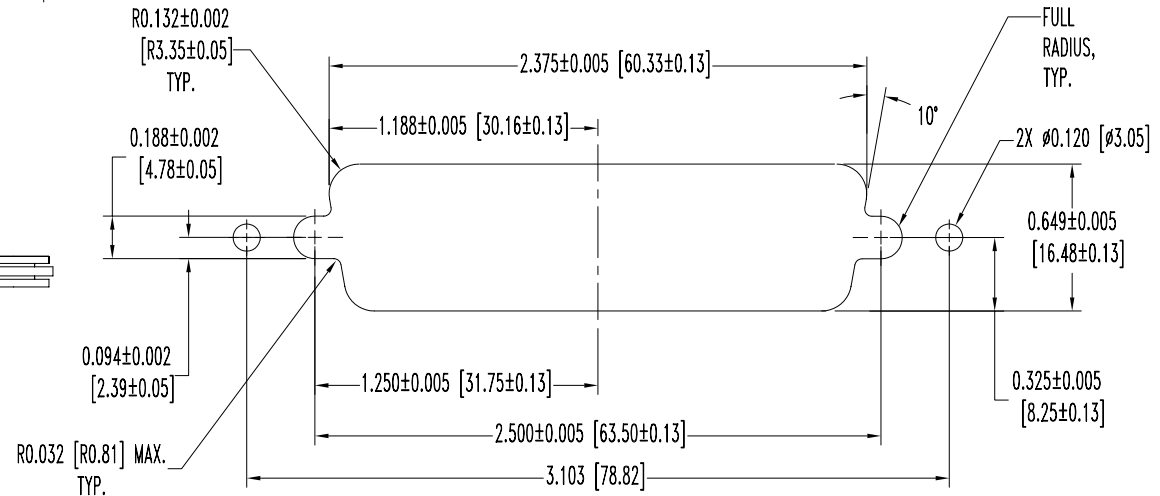
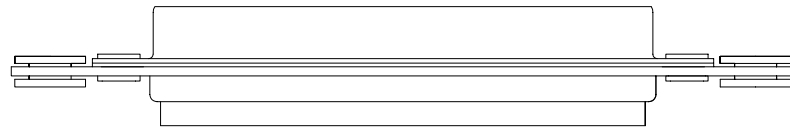
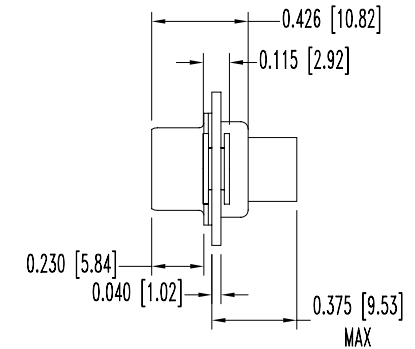
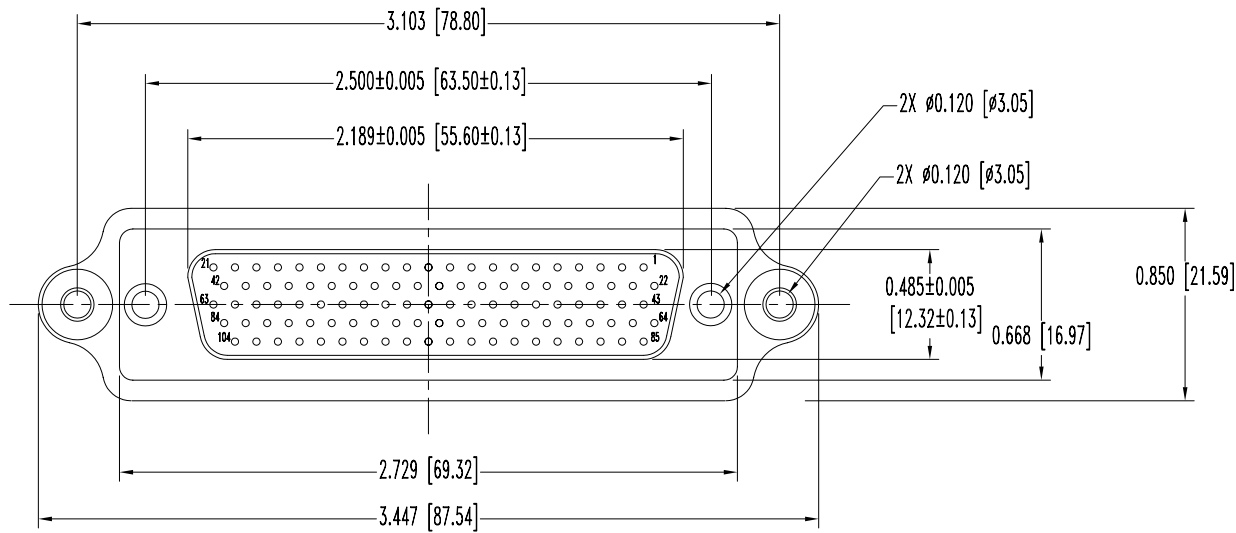


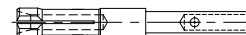
SK3522

THIS DRAWING CONTAINS INFORMATION PROPRIETARY TO POSITRONIC IND. INC. ANY REPRODUCTION, DISCLOSURE OR USE OF THIS DRAWING IS EXPRESSLY PROHIBITED, EXCEPT AS POSITRONIC IND. INC. MAY OTHERWISE AGREE IN WRITING.

DATE	REV	REVISION RECORD	APP	DR	CK
12-15-00	NC	ECO 17142		YK	



PANEL CUTOUT
REAR MOUNT



FC8122D
ENLARGED
104 PIECES

NOTES:

- MATERIALS AND FINISHES:
INSULATORS - GLASS FILLED POLYESTER PER MIL-M-24519, UL 94V-0, BLACK COLOR.
SHELLS - STEEL WITH ZINC PLATE AND DICHRIMATE SEAL.
CONTACTS: COPPER ALLOY, GOLD FLASH OVER NICKEL PLATE.
MOUNTING PLATE: STEEL, ZINC PLATE.
RIVETS AND FLOAT MOUNT: STEEL OR BRASS, ZINC PLATE WITH DICHRIMATE SEAL.
- ELECTRICAL CHARACTERISTICS:
INSULATOR RESISTANCE - 5 G OHMS.
CONTACT CURRENT RATING: 5 AMPERES NOMINAL.
WORKING VOLTAGE: 300 V r.m.s.
- MOS 759.1 ALLOWS FOR BLIND MATE PLATE TO BE USED.
- DIMENSIONS ARE IN INCHES [MILLIMETERS].

		POSITRONIC INDUSTRIES INC. SPRINGFIELD, MISSOURI 65801	
		SCALE N.T.S.	DRAWN BY Y. KELLEYBREW
DECIMAL TOL. ± 0.015 [0.38]	ODD SERIES	TITLE ODD104F10000-759.1	
WR# 3279	DATE 12-15-00	DRAWING NUMBER SK3522	REV. NC