

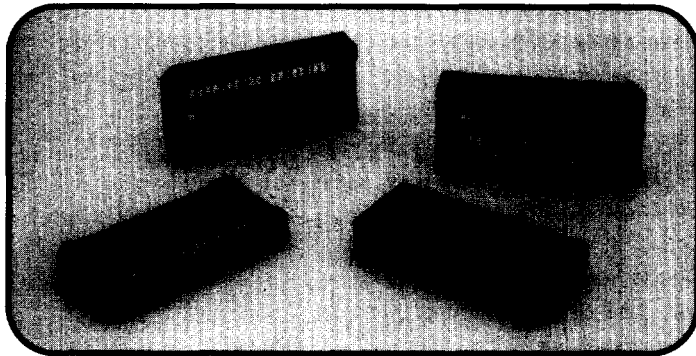
IC SOCKETS

MSM-SOJ Series

Surface-Mount SOJ Socket

.183 High

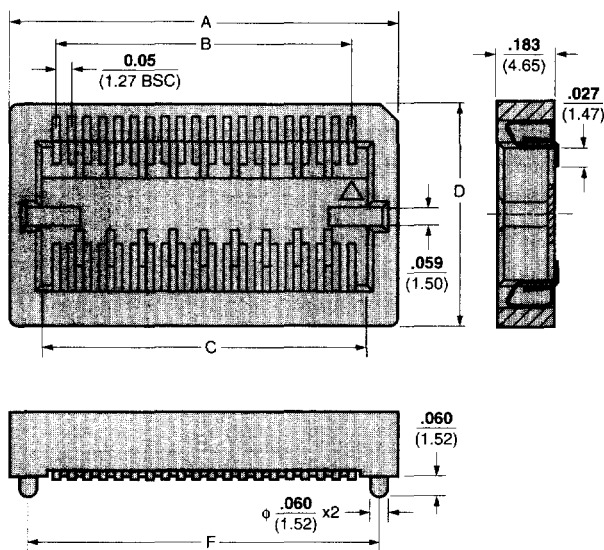
24 to 42 Positions



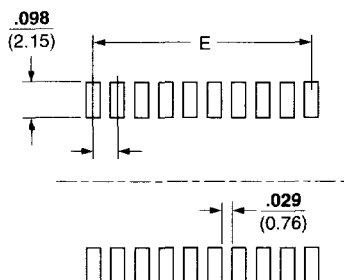
Features

- J-leads
- Open bottom for easy inspection of the solder process
- Molded in stand-offs allow easy removal of flux residue in the assembly operation
- Side and end stackable
- Tape and reel packaging available

DIMENSIONS



PCB LAYOUT



MAXCONN

Performance Specifications
Materials and Finish

Dielectric Body: Polyphenylene sulfide (PPS), dark brown color, 94V-0 rated

Contact Material: Phospher bronze

Contact Finish: 100 microinch tin over 70 microinch nickel

Electrical Characteristics

Contact Current Rating: 1 Amp

Contact Resistance: 30 milliohms maximum

Dielectric Withstanding Voltage: 500Vac minimum

Insulation Resistance: 1,000 megohms minimum

Temperature Rating -55° C to +220° C

Number of Contact Positions	Package Width	Dimensions					
		A	B	C	D	E	F
24	0.300	0.915	0.549	0.644	0.546	0.549	0.849
		23.26	13.97	16.36	13.87	13.97	21.59
26	0.300	0.965	0.606	0.694	0.546	0.606	0.899
		24.53	15.24	17.63	13.87	15.24	22.86
28	0.300	1.015	0.649	0.744	0.546	0.649	0.949
		25.80	16.51	18.90	13.87	16.51	24.12
28	0.400	1.015	0.649	0.744	0.646	0.649	0.949
		25.80	16.51	18.90	16.41	16.51	24.12
32	0.300	1.115	0.749	0.844	0.546	0.749	1.049
		28.34	19.05	21.44	13.87	19.05	26.67
32	0.400	1.115	0.749	0.844	0.646	0.749	1.049
		28.34	19.05	21.44	16.41	19.05	26.67
40	0.400	1.314	0.949	1.040	0.646	0.949	1.249
		33.40	24.13	26.50	16.41	24.13	31.74
42	0.400	1.522	0.999	1.093	0.646	0.999	1.299
		38.67	25.40	27.77	16.41	25.40	33.02

How To ORDER

