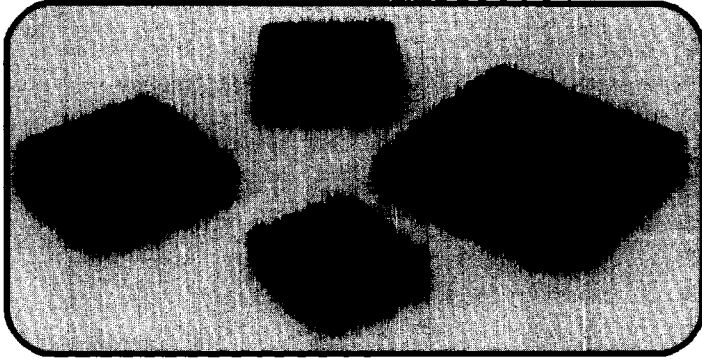


MSM-PLCC Series

Surface Mount PLCC Sockets

.175 High

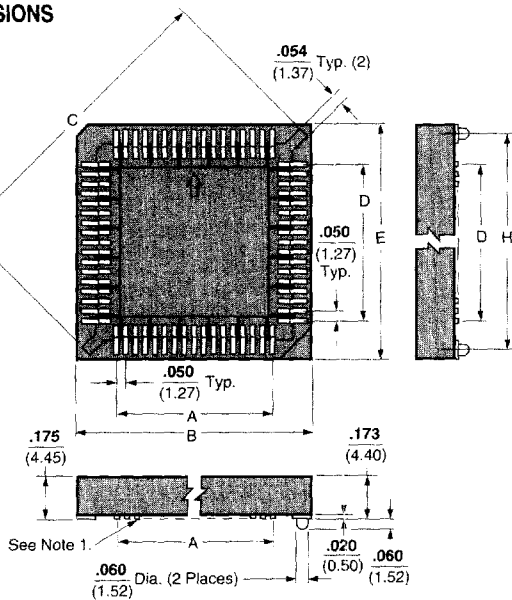
20 to 84 Positions



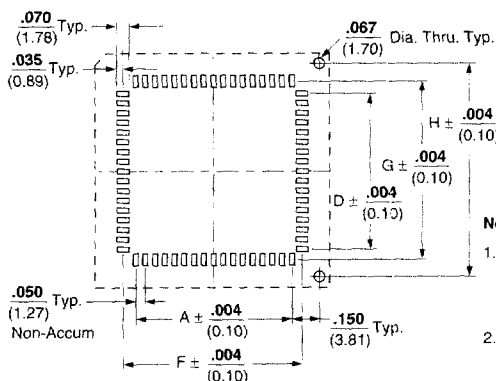
Features

- J-leads
- Open bottom for easy inspection of the colder process
- Molded in stand-offs allow easy removal of flux residue in the assembly operation
- Side and end stackable
- Tape and reel packaging available

DIMENSIONS



PCB LAYOUT



NOTES:

1. The flatness of all leads on the bottom surface shall be within 0.004/0.102.
2. Available only-(PPS) polyphenylene sulfide.

Performance Specifications

Materials and Finish

Dielectric Body: Polyphenylene sulfide (PPS), dark brown color, 94V-0 rated

Contact Material: Phosphor bronze

Contact Finish: 100 microinch tin over 70 microinch nickel

Electrical Characteristics

Contact Current Rating: 1 Amp

Contact Resistance: 30 milliohms maximum

Dielectric Withstanding Voltage: 500Vac minimum

Insulation Resistance: 1,000 megohms minimum

Temperature Rating -55° C to + 220° C

Number of Contact Positions	Dimensions							
	A	B	C	D	E	F	G	H
20	0.200	0.602	0.702	0.200	0.702	0.334	0.334	0.488
	5.08	15.30	17.84	5.08	15.30	8.48	8.48	12.40
28	0.300	0.702	0.842	0.300	0.702	0.434	0.434	0.590
	7.62	17.84	21.40	7.62	17.84	11.02	11.02	15.00
32	0.300	0.702	0.920	0.400	0.804	0.434	0.534	0.690
	7.62	17.84	23.36	10.16	20.42	11.02	13.56	17.52
44	0.500	0.909	1.139	0.500	0.909	0.634	0.634	0.807
	12.70	23.10	28.94	12.70	23.10	16.10	16.10	20.50
52	0.600	1.003	1.270	0.600	1.003	0.734	0.734	0.890
	15.24	25.48	32.32	15.24	25.48	18.64	18.64	22.60
68	0.800	1.220	1.567	0.800	1.220	0.934	0.934	1.109
	20.32	30.98	39.48	20.32	30.98	23.72	23.72	28.18
84	1.000	1.420	1.264	1.000	1.420	1.134	1.134	1.300
	25.40	36.06	46.72	25.40	36.06	28.80	28.80	33.00

HOW TO ORDER

