

SMT Power Inductors - LPO6013 Series



The LPO6013 series is designed for applications requiring the smallest possible size in a low profile part. Recommended applications include notebook computers, PC cards, cellular phone handsets, and handheld products.



The specially designed ceramic case protects the winding and its flat top provides the best possible surface for pick and place handling. Its compact design minimizes the PC board space required.

Coilcraft **Designer's Kit C152** contains samples of all values shown. Visit <http://order.coilcraft.com> to order on-line, or contact Coilcraft.

SPICE models ON OUR WEB SITE OR CD

Part number ¹	L ² (μ H)	DCR max (Ohms)	SRF typ (MHz)	Isat ³ (A)	I _{rms} ⁴ (A)
LPO6013-102MX_	1.0 \pm 20%	0.06	200	1.9	1.5
LPO6013-152MX_	1.5 \pm 20%	0.07	200	1.6	1.4
LPO6013-222MX_	2.2 \pm 20%	0.08	150	1.3	1.3
LPO6013-332MX_	3.3 \pm 20%	0.11	110	1.1	1.3
LPO6013-392MX_	3.9 \pm 20%	0.13	100	1.0	1.2
LPO6013-472MX_	4.7 \pm 20%	0.15	90	0.90	1.2
LPO6013-682MX_	6.8 \pm 20%	0.20	70	0.70	1.2
LPO6013-822MX_	8.2 \pm 20%	0.22	65	0.70	1.0
LPO6013-103KX_	10 \pm 10%	0.30	60	0.60	1.0
LPO6013-153KX_	15 \pm 10%	0.38	47	0.55	0.85
LPO6013-223KX_	22 \pm 10%	0.52	37	0.45	0.80
LPO6013-333KX_	33 \pm 10%	0.73	30	0.40	0.74
LPO6013-393KX_	39 \pm 10%	0.96	28	0.35	0.67
LPO6013-473KX_	47 \pm 10%	1.0	25	0.30	0.60
LPO6013-683KX_	68 \pm 10%	1.7	21	0.28	0.49
LPO6013-104KX_	100 \pm 10%	3.2	17	0.22	0.35
LPO6013-154KX_	150 \pm 10%	4.3	14	0.19	0.30
LPO6013-224KX_	220 \pm 10%	5.8	10	0.15	0.26
LPO6013-334KX_	330 \pm 10%	7	8	0.13	0.23
LPO6013-474KX_	470 \pm 10%	10	7	0.10	0.20
LPO6013-684KX_	680 \pm 10%	14	5.6	0.09	0.18
LPO6013-105KX_	1000 \pm 10%	21	4.7	0.07	0.13

1. When ordering, please specify **packaging** code:

LPO6013-473KX C

Packaging: C = 7" machine-ready reel. EIA-481 embossed plastic tape (1000 parts per full reel).

B = Less than full reel. In tape, but not machine ready. To have a leader and trailer added (\$25 charge), use code letter C instead.

D = 13" machine-ready reel. EIA-481 embossed plastic tape (3500 parts per full reel).

2. Inductance tested at 100 kHz, 0.1 V_{rms}, 0 Adc.

3. DC current at which the inductance drops 10% (typ) from its value without current.

4. Average current for a 40°C rise above 25°C ambient.

5. Operating temperature range -40°C to +85°C.

6. Electrical specifications at 25°C.

See Qualification Standards section for environmental and test data.

Coilcraft[®]

Specifications subject to change without notice.

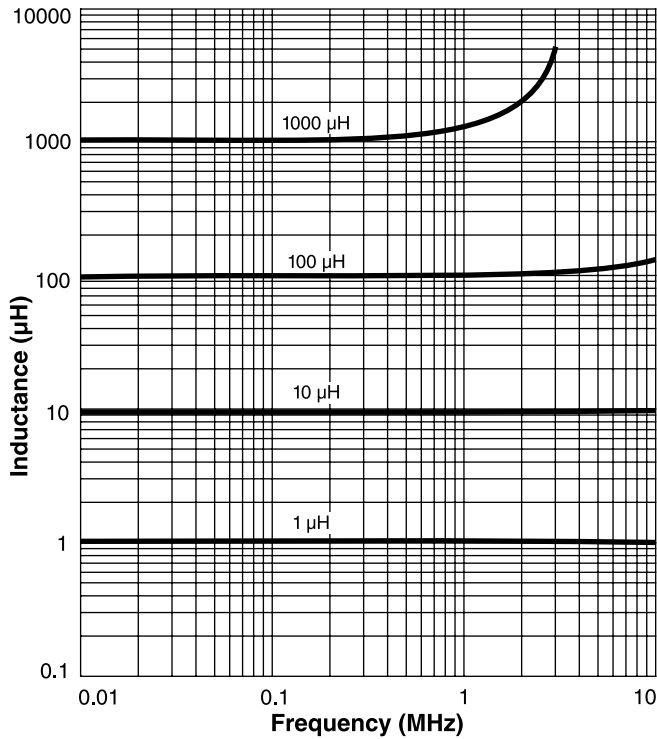
Please check our website for latest information. Document 286-1 Revised 01/14/05

1102 Silver Lake Road Cary, Illinois 60013 Phone 847/639-6400 Fax 847/639-1469

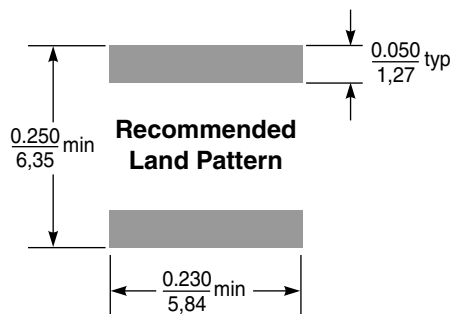
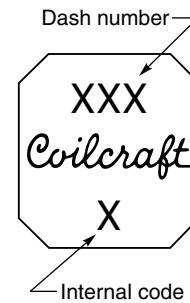
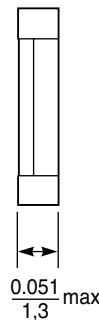
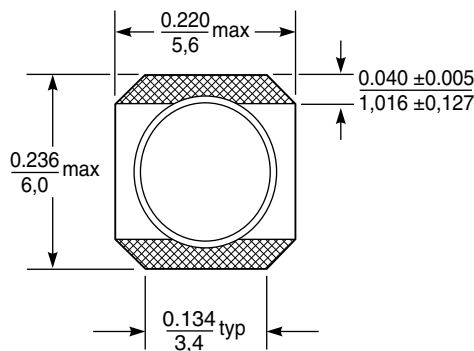
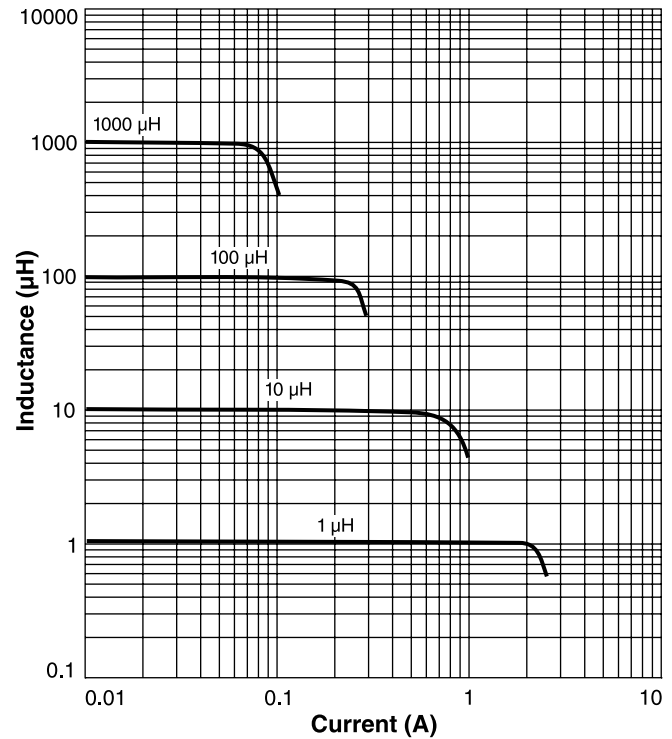
E-mail info@coilcraft.com Web <http://www.coilcraft.com>

SMT Power Inductors - LPO6013 Series

Typical L vs Frequency



Typical L vs Current



Weight: 111 – 122 mg
Terminations: Silver-palladium-platinum
Tape and reel: 1000/7" reel; 3500/13" reel 12 mm tape width
 For packaging data see Tape and Reel Specifications section.



Specifications subject to change without notice. Please check our website for latest information. Document 286-2 Revised 01/14/05

1102 Silver Lake Road Cary, Illinois 60013 Phone 847/639-6400 Fax 847/639-1469
 E-mail info@coilcraft.com Web http://www.coilcraft.com