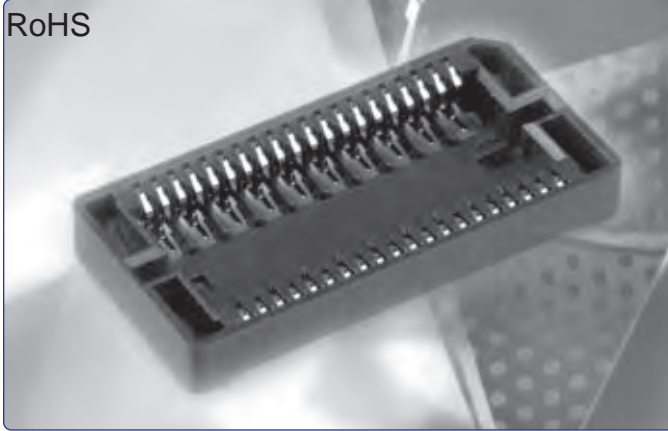


RoHS



KSOJX Series Surface Mount SOJ Sockets

Features

- Applications Include All Electronic PC Boards Requiring the Use of a Socket with Same Footprint as Most Common DRAM, SRAM, and VRAM Plastic Leaded Chip Carriers
- Accepts Molded Plastic Chip Carriers Conforming to JEDEC Small Outline (SOJ) Package Configuration
- Visual and Mechanical Polarization for SOJ Insertion
- Open Frame Design for Ease of Contact Inspection and Repair
- Optional PCB Polarization Pins Available
- Extraction Tool Slots
- Open Top Design for Cooler Running Chip Carrier
- Automatic Insertion Machine Compatible

Performance Specifications

Body

High Temp Thermoplastic, Black Color, 40% Glass Filled, Self Extinguishing, UL94V-0 Rated

Contact Material

Phosphor Bronze

Contact Finish

Tin over Nickel Plating

Electrical Characteristics

Contact Current Rating

1 Amp

Contact Resistance

30 Milliohms Max.

Dielectric Withstanding Voltage

600 VAC Min. for 1 Minute

Insulation Resistance

1000 Megohms Min.

Operating Temperature

-40°C to +105°C

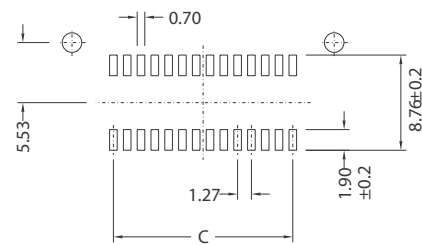
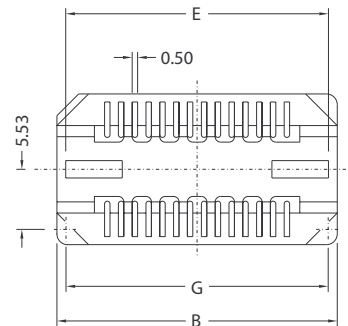
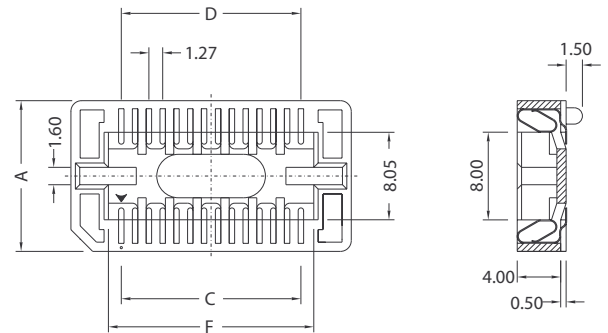
CHIP CARRIER SOCKETS

KSOJX Series

Ordering Information

Series	Spacing 3: .3" 4: .4"	Number of Pins	N: Non Polarized	Packaging Blank: Tubes TR: Tape and Reel
--------	-----------------------------	----------------	------------------	--

KSOJX Series Dimensions 0.3" Width

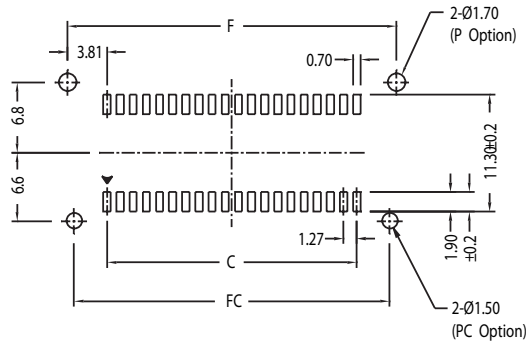
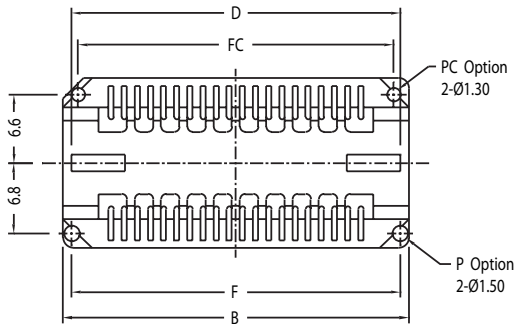
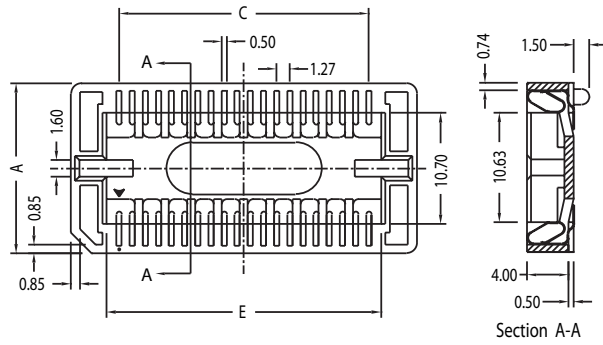


Recommended PCB Layout
(Top View)

Dimensions in mm

Number of Contacts	A ±0.2	B ±0.2	C ±0.1	D ±0.1	E ±0.2	F ±0.2
24	13.87	23.26	13.97	13.97	21.64	16.36
26	13.87	24.53	15.24	15.24	22.91	17.63
28	13.87	25.80	16.51	16.51	24.18	18.90
32	13.87	28.34	19.05	19.05	26.72	21.44

KSOJX Series Dimensions
0.4" Width



Recommended PCB Layout
(Top View)

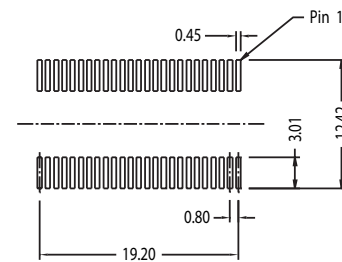
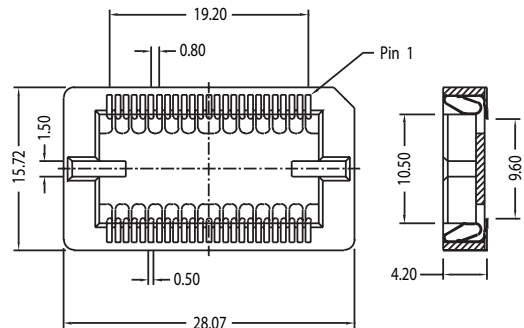
Dimensions in mm

Number of Contacts	A ±0.2	B ±0.2	C ±0.1	D ±0.1	E ±0.2	F ±0.2	FC ±0.2
28	16.41	25.78	16.51	24.18	18.88	24.13	22.86
32	16.41	28.32	19.05	26.72	21.42	26.67	25.40
40	16.41	33.40	24.13	31.80	26.05	31.75	30.48
42	16.81	34.67	25.40	33.07	27.77	33.02	31.75
44	16.81	35.94	26.67	34.34	29.04	34.29	33.02

CHIP CARRIER SOCKETS

KSOJX Series

KSOJX Series Dimensions
0.4" Width, 50 Contacts
0.8mm Pitch



Recommended PCB Layout
(Top View)