



Fiber Entry Adapters

Fiber Optic Adapters are used to anchor fiber optic cables as they enter a 5/8"-24 port of fiber equipment. All adapters within this product range offer advanced feed-thru technology for fast, friendly and time-saving installation with or without strength member seizing.

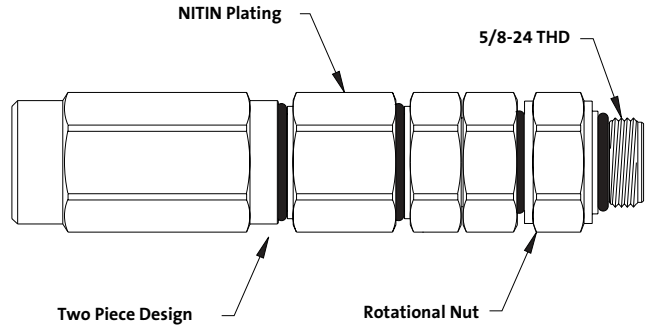
Models available:

- Feed Thru with Strength Member Seize
- Feed Thru with Elastomeric Seal with Strength Member Seize
- Feed Thru with Elastomeric Seize N Short
- Feed Thru with Elastomeric Seize N Extended Body
- Feed Thru with Elastomeric Seize

Fiber Entry Adapters

Features:

- Manufactured from Brass with corrosion resistant NITIN plating
- Superior cable and internal strength member retention
- Technician friendly rotational nut
- EPDM O-rings that effectively seal out moisture

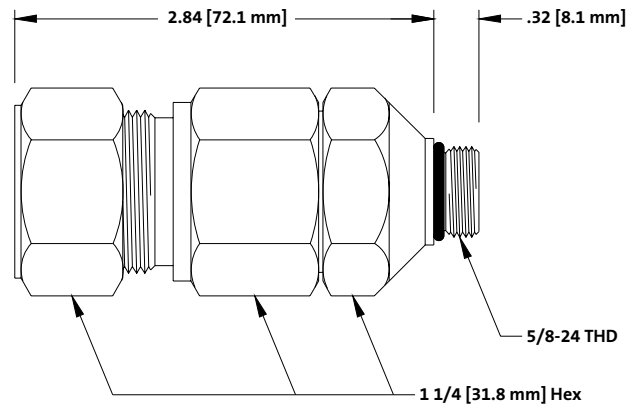


Fiber Entry Adapter

Part Number	Cable O.D.	Tube Construction	Strength Member	Armored
G-5/8-MU-OPT-300-CC	.490"	Central Tube	Steel	Non-Armored
G-5/8-MU-OPT-310-CC	.505"	Central Tube	Steel	Non-Armored
G-5/8-MU-OPT-350-CC	.490"	Central Tube	Steel	Armored
G-5/8-MU-OPT-360-CC	.505"	Central Tube	Steel	Armored
G-5/8-MU-OPT-400-AA	.490"	Loose Tube	Central (.100 max) O.D.	Non-Armored
G-5/8-MU-OPT-500-SS	.543"	Loose Tube	Central (.100 max) O.D.	Armored
G-5/8-MU-OPT-550-SS	.430"	Central Tube	Aramid	Armored
G-5/8-MU-OPT-600-CC	.560"	Loose Tube	Central (.140 max) O.D.	Armored
G-5/8-MU-OPT-650-CC	.347"	Central Tube	Steel	Armored

Features:

- Manufactured from ASTM 6262 aluminum alloy with gold chromate conversion coating for excellent corrosion resistance.
- This connector seizes the jacket of the fiber optic cable with an elastomer gripping mechanism. The connector also features an internal seizing mechanism in the main nut for dual steel strength members.



Fiber Entry Adapter

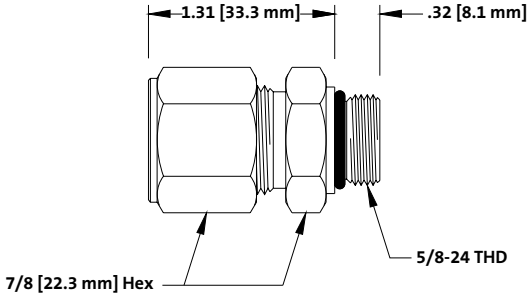
Part Number	Cable Min. O.D.	Cable Max O.D.	Strength Member (Dia.)
NS-7270-19	.375	.500	* 7/64 Steel
NS-7270-23	.500	.625	* 7/64 Steel
NS-7270-25	.250	.375	* 3/32 Steel

* Steel Strength Member Nominal Dia.

Fiber Optic Cable Adapters

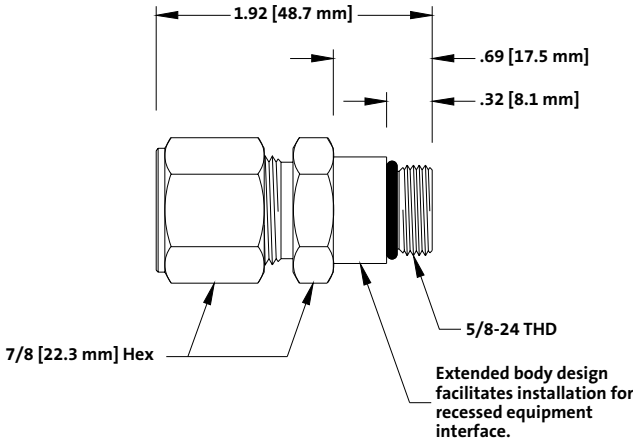
Features:

- Manufactured from ASTM 6262 aluminum alloy with gold chromate coating for excellent corrosion resistance.
- All Fiber Optic connectors seize the fiber optic cable jacket with an elastomer gripping mechanism. Fiber optic cable cable strength members are retained inside the equipment.



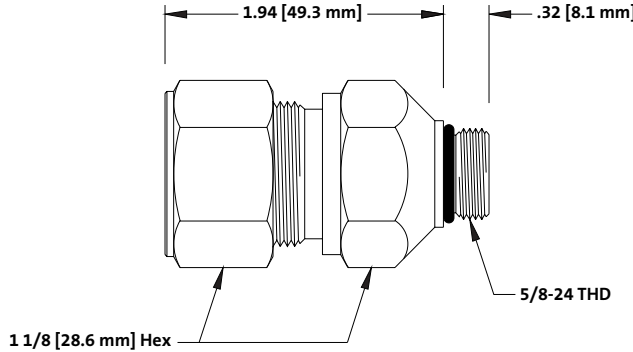
Fiber Optic Adapter

Part Number	Cable Min. O.D.	Cable Max. O.D.
NS-7270-1	.062	.125
NS-7270-5	.187	.250
NS-7270-7	.250	.312
NS-7270-9	.312	.375
NS-7270-11	.375	.437



Fiber Optic Adapter

Part Number	Cable Min. O.D.	Cable Max. O.D.
NS-7270-21	.062	.125
NS-7270-27	.187	.250



Fiber Optic Adapter

Part Number	Cable Min. O.D.	Cable Max. O.D.
NS-7270-13	.250	.375
NS-7270-15	.375	.500
NS-7270-17	.500	.625