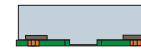
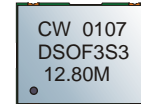


# CRYSTAL CONTROLLED OSCILLATORS

## SURFACE MOUNT 3.3V HCMOS STRATUM 3 OCXO



### DSOF3S3

#### ABSOLUTE MAXIMUM RATINGS

TABLE 1.0

PARAMETER	UNITS	MINIMUM	NOMINAL	MAXIMUM	UNITS	NOTE
Storage Temperature		-40	-	85	°C	
Supply Voltage	(Vcc)	-0.5	-	4.5	Vdc	

#### OPERATING SPECIFICATIONS

TABLE 2.0

PARAMETER		MINIMUM	NOMINAL	MAXIMUM	UNITS	NOTE
Center Frequency	(Fo)	1.544	-	20.000	MHz	
Frequency Calibration		-1.5	-	1.5	ppm	1, 4
Frequency Stability		-0.25	-	0.25	ppm	2
Total Frequency Tolerance		-4.6	-	4.6	ppm	3
Aging (Daily)		-30	-	30	ppb	4
Aging (10 years)		-3.0	-	3.0	ppm	
Operating Temperature Range		-40	-	85	°C	
Supply Voltage	(Vcc)	3.135	3.3	3.465	Vdc	
Supply Current	(Icc)	-	-	500	mA	
Phase Jitter (BW =12KHz to 20MHz)		-	-	1	pS RMS	
Phase Jitter (BW =10Hz to 20MHz)		-	-	3	pS RMS	
Period Jitter		-	-	3	pS RMS	
Allan Variance (1 Second)		-	5.00 E-10	-		
SSB Phase Noise at 10Hz offset		-	-90	-	dBc/Hz	
SSB Phase Noise at 10KHz offset		-	-130	-	dBc/Hz	
Start-Up Time: Oscillator		-	-	10	mS	
Warm Up Time		-	-	5	Minutes	5
TDEV at 1.0 seconds		-	-	1	nS	
TDEV at 4.0 seconds		-	-	2	nS	

#### HCMOS OUTPUT CHARACTERISTICS

TABLE 3.0

PARAMETER		MINIMUM	NOMINAL	MAXIMUM	UNITS	NOTE
LOAD		-	-	15	pF	
Voltage (High)	(Voh)	2.6	-	-	Vdc	
(Low)	(Vol)	-	-	0.4	Vdc	
Current (High)	(Ioh)	-4	-	-	mA	
(Low)	(Iol)	-	-	4	mA	
Duty Cycle at 50% of Vcc		45	50	55	%	
Rise / Fall Time 10% to 90%		-	-	6	nS	

#### PACKAGE CHARACTERISTICS

TABLE 4.0

Package	Surface Mount, Non-hermetic package consisting of an FR4 substate with grounded metal cover.
---------	--

#### PROCESS RECOMMENDATIONS

TABLE 5.0

Solder Reflow	The component solder used internal to this device has a melting point of 221°C. The peak temperature inside the device should be less than or equal to 220°C for a maximum of 10 seconds
Wash	Ultrasonic cleaning is not recommended

#### Notes:

- 1) Initial calibration @ 25°C
- 2) Frequency vs. temperature stability
- 3) Inclusive of calibration, operating temperature range, supply voltage change, shock and vibration and aging (10 years).
- 4) Specifications at time of shipment after 48 hours of operation.
- 5) Measured @ 25°C, within 5 minutes, the unit will be within +/-0.1ppm of its reference frequency, measured after 30 minutes of continuous operation at a stable 25°C.

#### DESCRIPTION

The Connor-Winfield DSOF3S3 is a true Surface Mount 3.3V Oven Controlled Crystal Oscillator (OCXO) with an HCMOS output. The DSOF3S3 is designed for Stratum 3 applications requiring tight frequency stability, low jitter and industrial temperature range.

#### FEATURES

FIXED FREQUENCY

3.3V OPERATION

LOW JITTER <3pS RMS

TEMPERATURE STABILITY ±0.25ppm

TEMPERATURE RANGE: -40 to 85°C

FREQUENCY TOLERANCE OF ±4.6ppm OVER TEN YEARS

SURFACE MOUNT PACKAGE

#### ORDERING INFORMATION

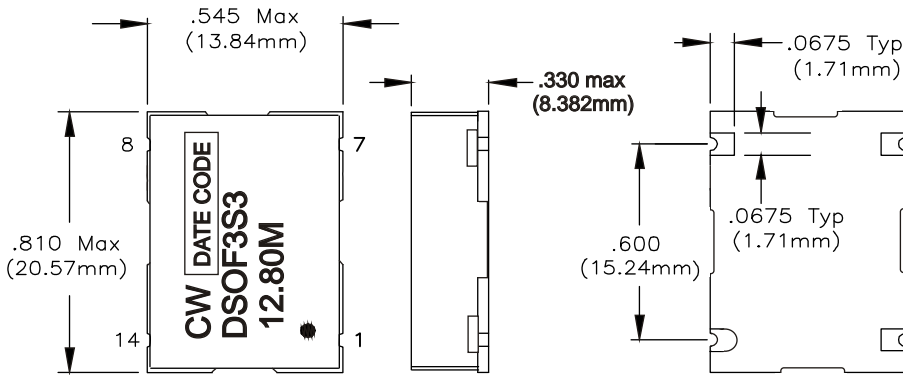
DSOF3S3 - 12.80MHz

OCXO  
SERIES

CENTER  
FREQUENCY

Specifications subject to change without notice.

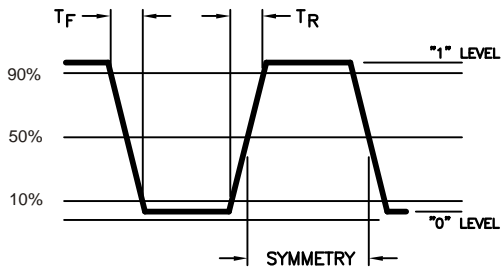
CRYSTAL CONTROLLED OSCILLATORS



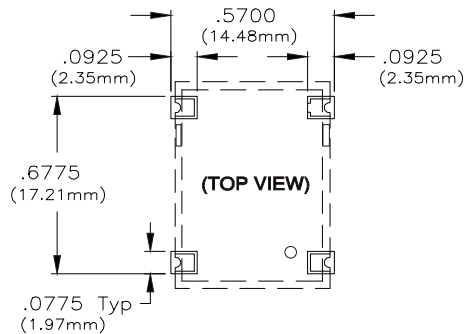
Pin	Function
1	N/C
7	Ground (Case)
8	Output
14	Vcc

Dimensional Tolerance:  
±.005 (.127mm)

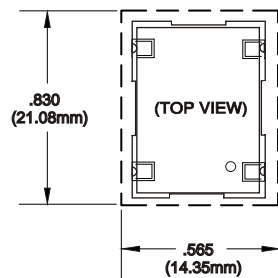
OUTPUT WAVEFORM



SUGGESTED PAD LAYOUT



KEEP OUT AREA



TEST DIAGRAM

