

REFERENCE SPECIFICATIONS

-NFC 93425 (in compliance with HE 507)

PHYSICAL CHARACTERISTICS

- INSULATOR MATERIAL: THERMOPLASTIC ,UL94V0
- CONTACT MATERIAL: BRASS
- ACCESSORIES: BRASS
- SHELLS: STEEL

ELECTRICAL CHARACTERISTICS

- NOMINAL CURRENT: 30A or 40A
- CONTACT RESISTANCE: <= 7.3 mOhms
- CONTACT/CONTACT : >=1000 V
- CONTACT/GROUND : >=1200 V
- INSULATION RESISTANCE: >=5000 MOhms

ENVIRONMENTAL CHARACTERISTICS

- CLIMATIC CATEGORY: 55/125/21
- TEMPERATURE RANGE -55°C TO +125°C
- DAMP HEAT STEADY STATE 21 DAYS
- SALT SPRAY 24 HOURS

MECHANICAL CHARACTERISTICS

- RETENTION AGAINST TORQUE: - Threaded insert: 0.7 N.m minimum
- Female screw : 0.5 N.m minimum

NOTE RoHS INFORMATION

- The "LF" products meet european union Directives and other country regulations as described in GS-22-008.
- The housing will withstand exposure to 260°C peak temperature for 3.5 seconds in a wave solder application with a 1.6mm minimum thick circuit board. See application notes/procedures if they are available.
- Termination plating spec:
 - Ni 1.27µm+Sn 2.5 to 7.5µm(pure bright)
- Active area plating spec:
 - Ni + Gold
- Shell plating :2 to 4µm Cu + Ni + 3 to 10µmm Sn(pure bright)
- Accessories: Sn pure bright + nickel
- Packaging spec: See GS-14-920

DBL5W5S500G30LF

Series

Shell size: **E A B C**
(see sheet 3)

Front accessory definition
(see sheet 2)

- blank**: without accessory
- L** : threaded insert M3
- O** : threaded insert UNC 4-40
- V** : female screw UNC 4-40
- I** : female screw M3

Layout of contacts (see sheet 3)

Contacts

- S** : Socket

Termination type

- 5** Right angle/Europe standard

Plating

- 00** 200 matings/unmatings
- 43** 500 matings/unmatings

PCB accessories definition(see sheet 2)

- A** : without accessory
- H** : Metal brackets+harpoons for PCB 2.40mm
- G** : Metal brackets+harpoons for PCB 1.60mm
- M** : Metal brackets

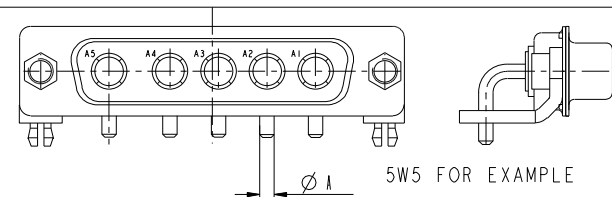
Power contacts

- 00** :Not fitted with power contact (signal contacts always fitted)
- 30** :Fitted with power contacts 30 Amp.
- 40** :Fitted with power contacts 40 Amp.

See note RoHS

TABLE 1:PCB HOLE DIAMETERS

| POWER CONTACTS | | ACCESSORIES | |
|-------------------|---------------------------------|--------------------|--------------------|
| 30 A | 2.00 | Ø2.40 | Ø3.10 |
| 40 A | 2.80 | Ø3.10 | |
| Max current power | ØA ^{+0.1} ₀ | PCB HOLE +/-0.1 | PCB HOLE +/-0.1 |



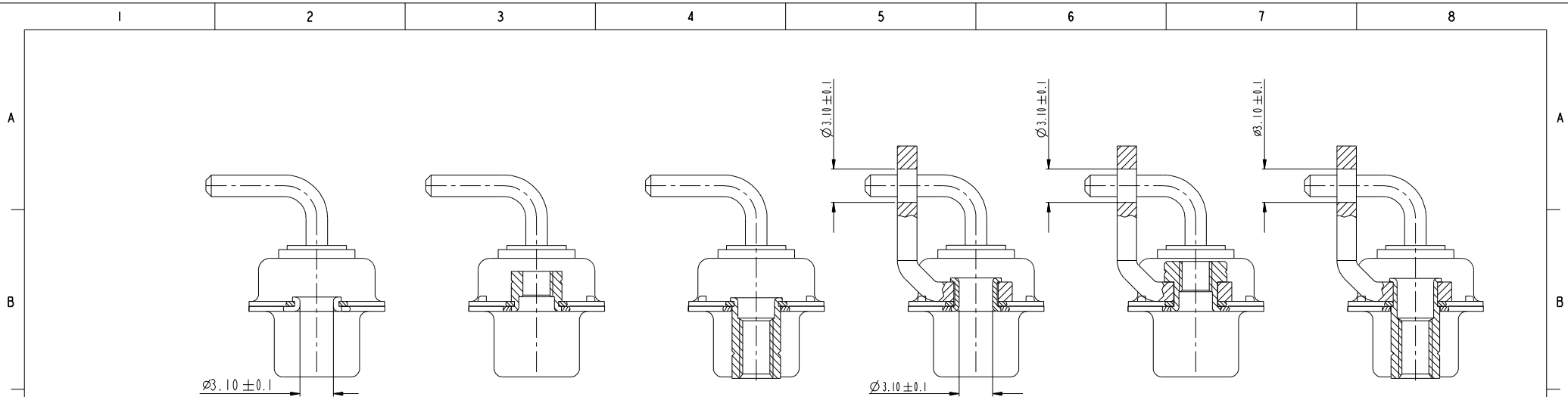
| | | | | | |
|--------------------|----------|---------------------------------------|------------------|------------|----------|
| www.fciconnect.com | | surface | tolerance std | projection | mm |
| | | ISO 1302 | ISO 406 ISO 1101 | | |
| | | TOLERANCES UNLESS OTHERWISE SPECIFIED | | | |
| Dr | M PESSON | 2005-10-11 | ANGULAR | size | Scale |
| Eng | P LEGARE | 2005-10-11 | LINEAR | A2 | 2:1 |
| Chr | | | 0° ±2° | ECN | F09-0092 |
| Appr | | | Product family | Spec ref | |

| rev | ecn no | dr | date | Dr | date | Chr | Appr | Product family | Spec ref |
|-----|-----------|-----|------------|----------|------------|----------|------|----------------|----------|
| A | LS05-0113 | WPE | 2005-10-11 | M PESSON | 2005-10-11 | P LEGARE | | ANGULAR | |
| B | LS06-0208 | LGO | 2006-12-13 | | | | | LINEAR | |
| C | LS07-0273 | WPE | 2007/10/31 | | | | | | |
| D | F09-0063 | LSA | 2009-07-15 | | | | | | |
| E | F09-0092 | LSA | 2009/09/16 | | | | | | |

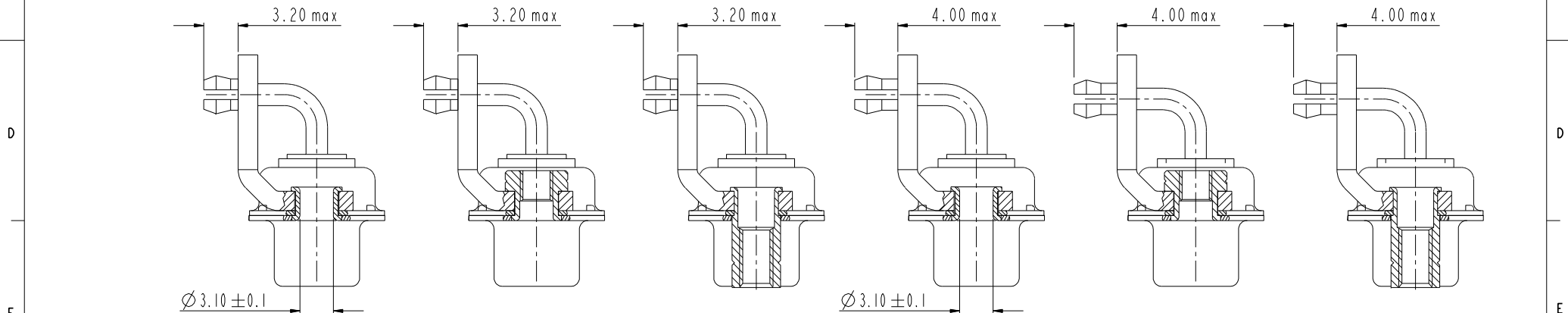


FCI SUB FEMALE DW EUROPE foot print
full power right angled solder

Part no: C01-8639-2308
Rev. E



| | | | | | | |
|-----------------|----------------------|--|--|-------------------------|--|--|
| FRONT ACCESSORY | Blank Without | L insert M3 O insert UNC 4.40 | V Female screw UNC 4.40 I Female screw M3 | Blank Without | L insert M3 O insert UNC 4.40 | V Female screw UNC 4.40 I Female screw M3 |
| PCB ACCESSORIES | A Without | A Without | A Without | M Metal brackets | M Metal brackets | M Metal bracket |



| | | | | | | |
|-----------------|---|---|--|---|---|--|
| FRONT ACCESSORY | Blank Without | L insert M3 O insert UNC 4.40 | V Female screw UNC 4.40 I Female screw M3 | Blank Without | L insert M3 O insert UNC 4.40 | V Female screw UNC 4.40 I Female screw M3 |
| PCB ACCESSORIES | G Metal brackets + harpoons for PCB 1.60mm | G Metal brackets + harpoons for PCB 1.60mm | G Metal brackets + harpoons for PCB 1.60mm | H Metal brackets + harpoons for PCB 2.40mm | H Metal brackets + harpoons for PCB 2.40mm | H Metal brackets + harpoons for PCB 2.40mm |

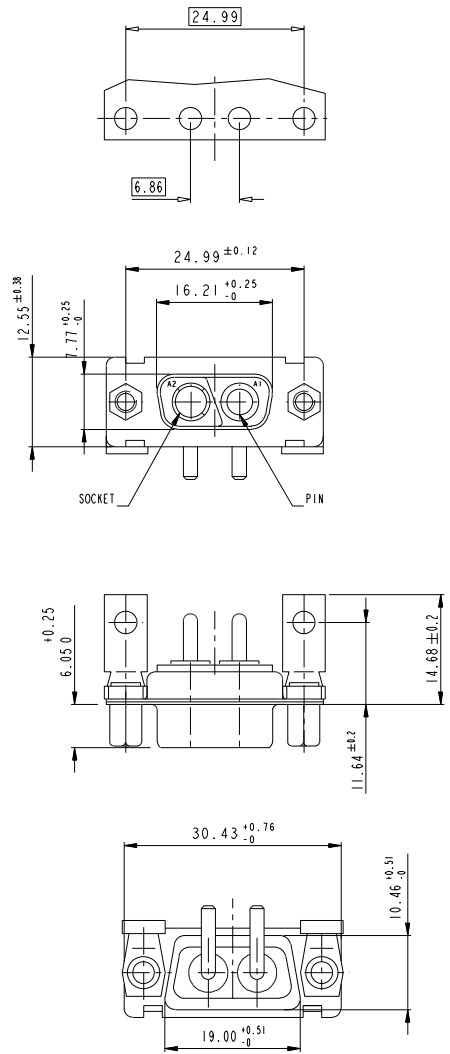
Copyright FCI.

| | | | | |
|---------------------------------------|----------|---|-----------------------------------|-----------------------|
| www.fciconnect.com | | surface ISO 1302 | tolerance std ISO 406 ISO 1101 | projection mm |
| TOLERANCES UNLESS OTHERWISE SPECIFIED | | | | |
| Dr | M PESSON | 2005-10-11 | ANGULAR | size A2 |
| Eng | P LEGARE | 2005-10-11 | LINEAR | Scale 2:1 |
| Chr | | | 0° ±2° | ECN F09-0092 |
| Appr | | | Product family | Spec ref |
| FCI | | SUB FEMALE DW EUROPE foot print full power right angled solder | | Rev. E |
| catalog no | | C01-8639-2308 | | CUSTOMER sheet 2 of 4 |

2V2

LAYOUT AND CONNECTOR DIMENSIONS

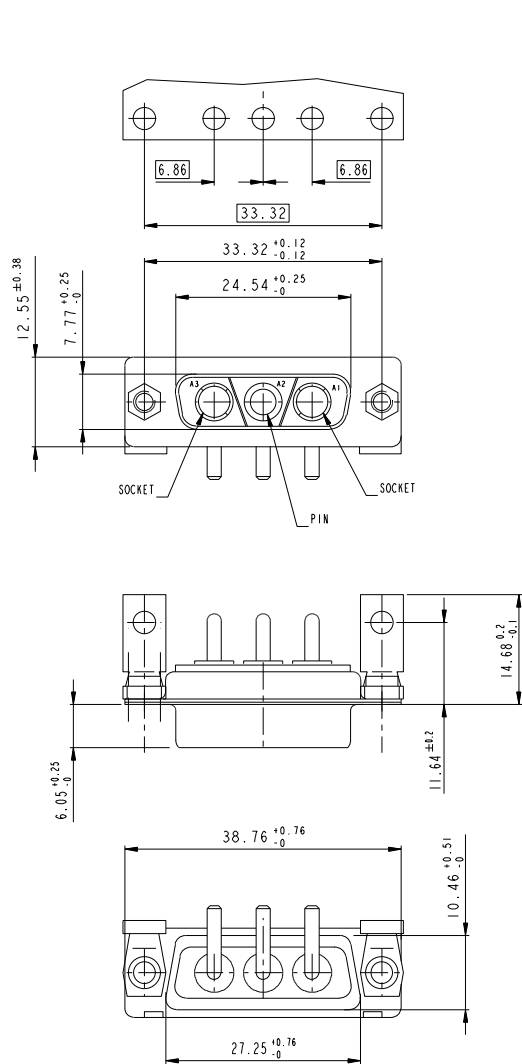
For PCB hole diameters see table I sheet 1



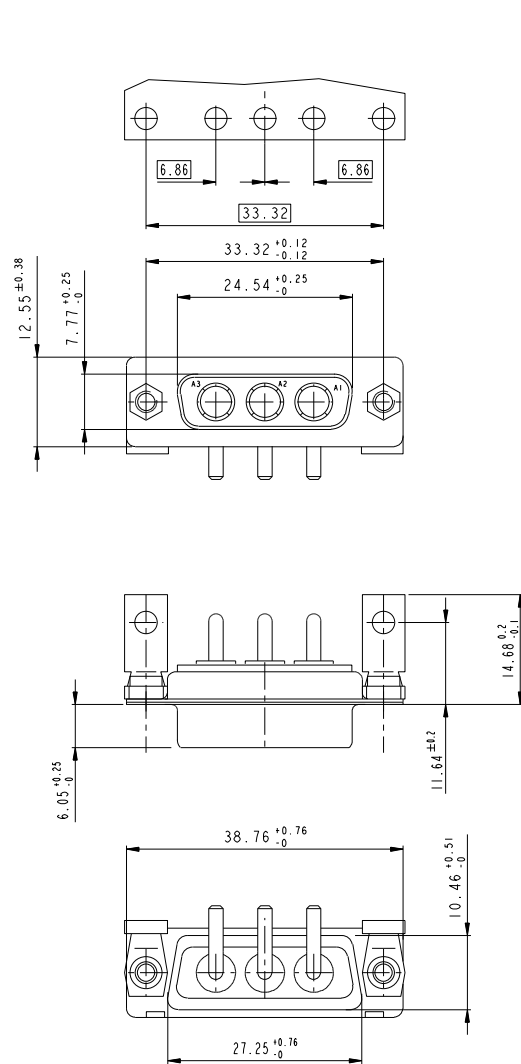
3V3

LAYOUT AND CONNECTOR DIMENSIONS

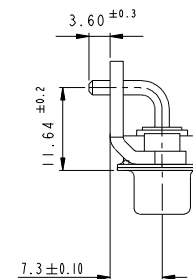
For PCB hole diameters see table I sheet 1



3W3



SIDE VIEW FOR ALL LAYOUTS



| | | | | |
|---|----------|---------------------------------------|-----------------------------------|------------------|
| www.fciconnect.com | | surface ISO 1302 | tolerance std ISO 406 ISO 1101 | projection mm |
| | | TOLERANCES UNLESS OTHERWISE SPECIFIED | | |
| Dr | M PESSON | 2005-10-11 | ANGULAR | 0.X ± 0.3 |
| Eng | P LEGARE | 2005-10-11 | LINEAR | 0.XXX ± 0.1 |
| Chr | | | 0° ± 2° | 0.XXX ± 0.05 |
| Appr | | | Product family | Spec ref |
| FCI TITLE SUB FEMALE DW EUROPE foot print full power right angled solder | | cat no | C01-8639-2308 | Rev. E |
| PDM: Rev: E | | STATUS: Released | | sheet 3 of 4 |

