

Absolute Singleturn Hollowshaft Encoder

BOSH – *Dignalizer*

Profibus-DP, CANopen, DeviceNet

features

- 18 Bit hollowshaft singleturn encoder
- modular bus cover
- easy mounting
- selectable bus parameters
- programmable scaling and preset values



general data

voltage supply	10 - 30 VDC
max. supply current no load	100 mA (24 VDC)
max. resolution	18 Bit (1 step = 5°)
preset	value programmable within resolution range
address	selectable via dipswitches
baud rate	selectable via dipswitches
direction	programmable, default is increasing values with clockwise shaft rotation while viewing flange

mechanical data

max. revolutions	mech. 12,000 rpm elec. 6,000 rpm
rotor inertia	$18,4 \times 10^{-7} \text{ kgm}^2$
torque	1.75 cNm (3,000 U/min / 20 °C / IP 42)
product life	dependent on ambient conditions (10^9 revolutions)
max. protection class housing:	shaft: IP 64 IP 65
material	Aluminium
weight	570 g

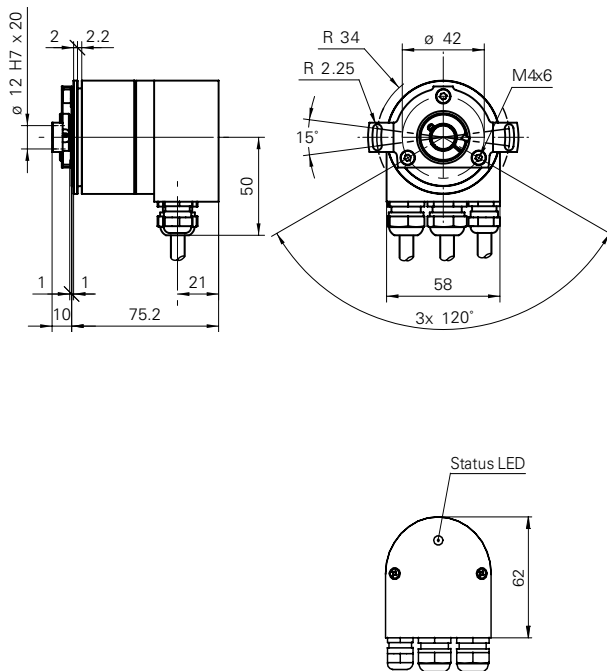
ambient conditions

temperature range	-20 to +85 °C
relative humidity	max. 95% non condensing
vibration (sine)	IEC 60068-2-6 ($\leq 100 \text{ m/s}^2 / 10 - 2000 \text{ Hz}$)
vibration (random)	IEC 60068-2-64 ($\leq 0.1 \text{ g}^2/\text{Hz} / 20 - 1000 \text{ Hz}$)
shock	IEC 60068-2-27 ($\leq 500 \text{ m/s}^2 / 11 \text{ ms}$)
noise immunity	DIN EN 61000-6-2
emitted interference	DIN EN 61000-6-3

Profibus-DP, CANopen, DeviceNet



diagram



order designation

BOSH 58S1N24C 18/00	<input type="checkbox"/> G	base encoder (no bus cover)
BOSH 58S1N24	<input type="checkbox"/> 18/00	complete encoder
	<input type="checkbox"/> D	connector bus cover
		hollowshaft
	B2	12 mm IP 42 with clamping ring
	E2	12 mm IP 64 with clamping ring
	I2	12 mm IP 42 with clamping ring and spring plate
	M2	12 mm IP 64 with clamping ring and spring plate
		interface
	B	CANopen
	D	DeviceNet
	P	Profibus-DP

accessories

CD with GSD/EDS-Data and handbook (included)	Art.Nr. 141134
spring plate	Art.Nr. 136635
bus cover	
Profibus-DP	Art.Nr. 147997
CANopen	Art.Nr. 147999
DeviceNet	Art.Nr. 147998