

## FEATURES AND SPECIFICATIONS

### Features and Benefits

- Solderable retention clip provides optimum retention to PCB
- Fully polarized to mating receptacle
- Surface Mount Compatible

### Reference Information

Product Specification: PS-43045  
 Packaging: Tray  
 UL File No.: E29179  
 CSA File No.: LR19980  
 TUV License No.: R95107  
 Mates With: 43025  
 Designed In: Millimeters

### Electrical

Voltage: 250V  
 Current: 5.0A max.  
 Contact Resistance: 10mΩ max.  
 Dielectric Withstanding Voltage: 1500V AC  
 Insulation Resistance: 1000 MΩ min.

### Mechanical

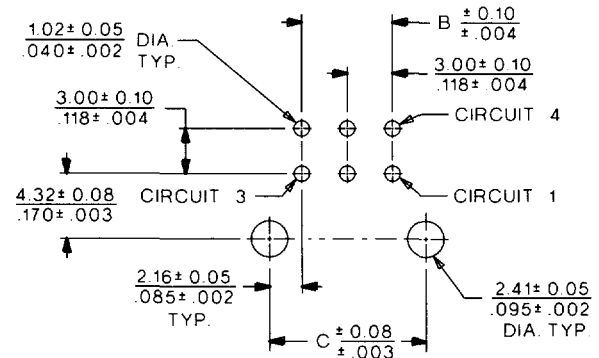
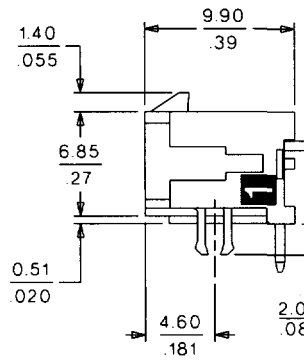
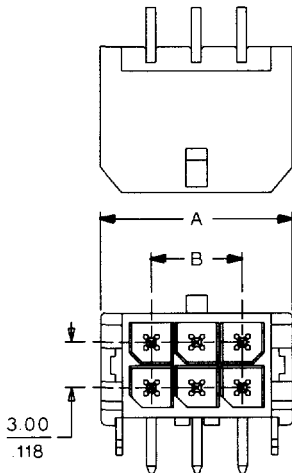
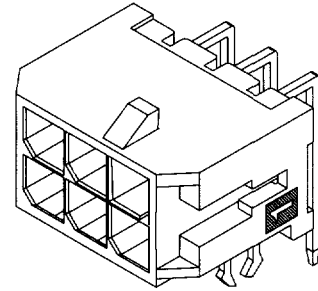
Insertion Force to PCB: 7.5kgf max. (16.5 lb)

### Physical

Housing: High temperature LCP, UL 94V-0  
 Contact: Phosphor Bronze  
 Plating: Tin or Gold

# molex® 3.00mm (.118") Pitch Micro-Fit 3.0™ Header

## 43045 Dual Row Right Angle With Solderable Retention Clip



PCB LAYOUT: COMPONENT SIDE

RECOMMENDED PCB THICKNESS:  $\frac{1.57}{.062}$

## ORDERING INFORMATION AND DIMENSIONS

Circuits	Order No.			Dimension			Overall Height When Mated With:	
	Tin	15μ" Gold	30μ" Gold	A	B	C		
2	43045-0221	43045-0222	43045-0223	6.65 (.262)		4.30 (.169)	43025	10.06 (.396)
4	43045-0421	43045-0422	43045-0423	9.65 (.380)	3.00 (.118)	7.30 (.287)	43025	10.06 (.396)
6	43045-0621	43045-0622	43045-0623	12.65 (.499)	6.00 (.236)	10.30 (.406)	43025	10.06 (.396)
8	43045-0821	43045-0822	43045-0823	15.65 (.616)	9.00 (.354)	13.30 (.524)	43025	10.06 (.396)
10	43045-1021	43045-1022	43045-1023	18.65 (.734)	12.00 (.472)	16.30 (.642)	43025	10.06 (.396)
12	43045-1221	43045-1222	43045-1223	21.65 (.852)	15.00 (.591)	19.30 (.760)	43025	10.06 (.396)
14	43045-1421	43045-1422	43045-1423	24.65 (.970)	18.00 (.709)	22.30 (.878)	43025	10.06 (.396)
16	43045-1621	43045-1622	43045-1623	27.65 (1.088)	21.00 (.827)	25.30 (.996)	43025	10.06 (.396)
18	43045-1821	43045-1822	43045-1823	30.65 (1.206)	24.00 (.945)	28.30 (1.114)	43025	10.06 (.396)
20	43045-2021	43045-2022	43045-2023	33.65 (1.325)	27.00 (1.063)	31.30 (1.232)	43025	10.06 (.396)
22	43045-2221	43045-2222	43045-2223	36.65 (1.443)	30.00 (1.181)	34.30 (1.350)	43025	10.06 (.396)
24	43045-2421	43045-2422	43045-2423	39.65 (1.561)	33.00 (1.299)	37.30 (1.469)	43025	10.06 (.396)